

# BURNHAM®

## Commercial Boilers

### RATINGS AND DATA

Shell Diameter : 45 $\frac{1}{4}$ "  
 Gross Output - BHP : 126.8  
 Gross Output - MBH : 4245  
 Gross Output - Lbs/Hr. : 4375  
 Net Rating - MBH : 3296  
 Safety Valve - Lbs/Hr. : 4375

Heating Surface - Sq. Ft.  
 Fireside - 460  
 Firetubes  
 Number - 126  
 Diameter - 2" O.D.

Firing Rate  
 1000 BTU Gas (MBH) - 5102  
 140000 BTU/Gal Oil (GPH) - 35.0

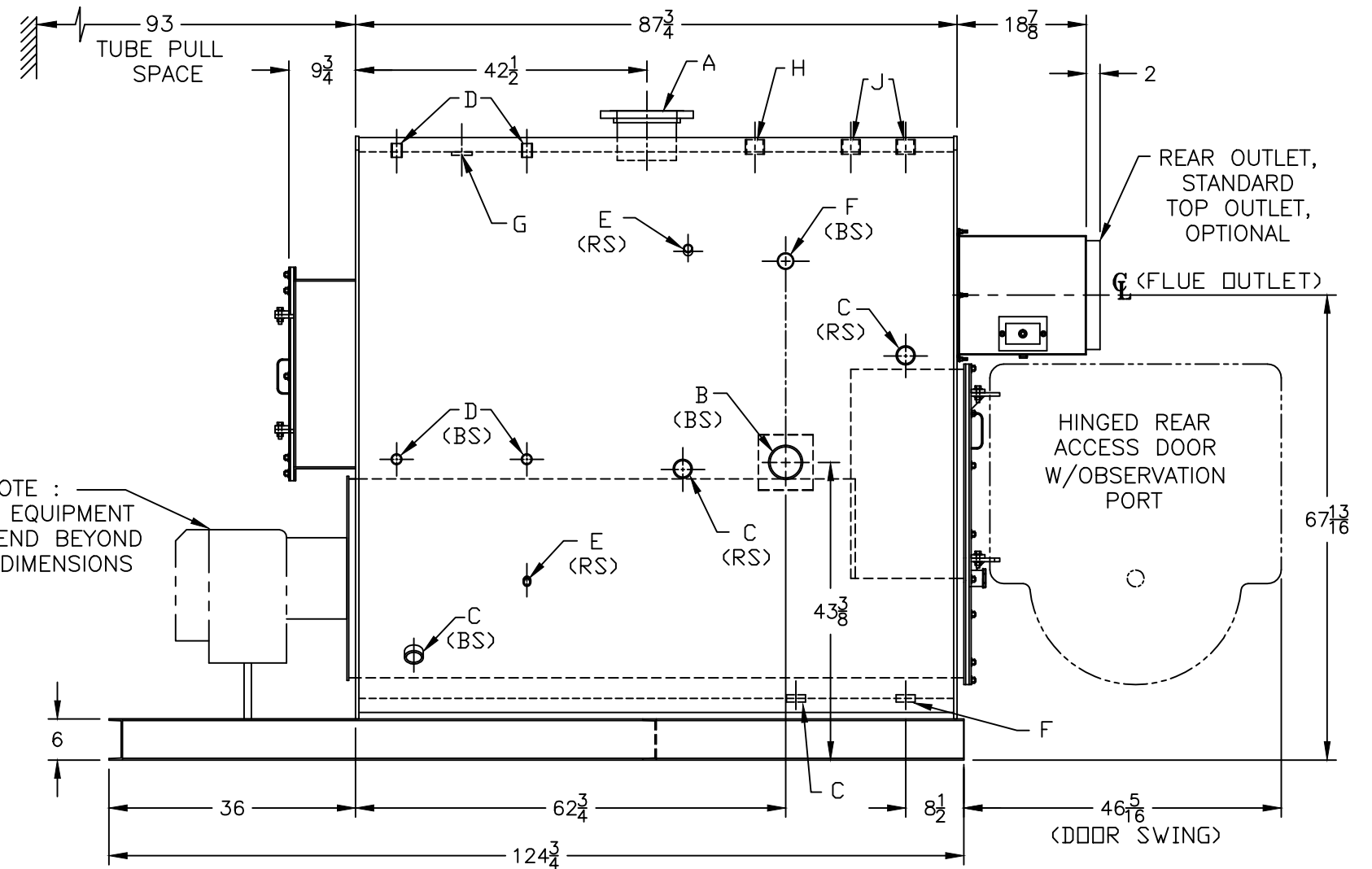
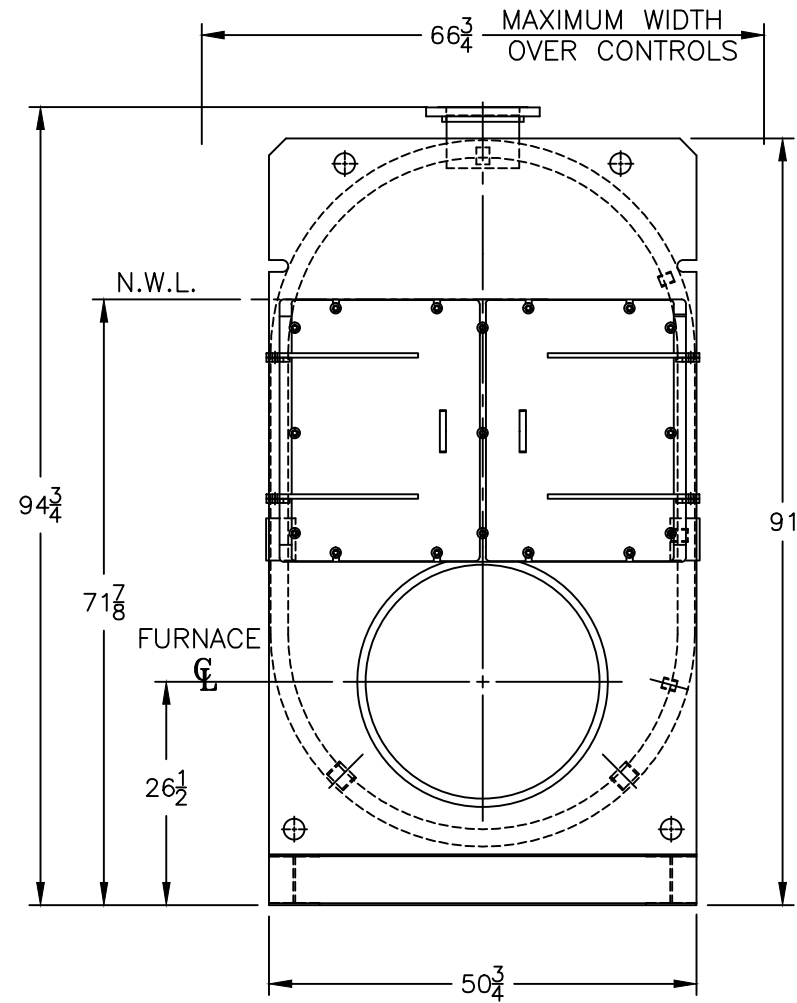
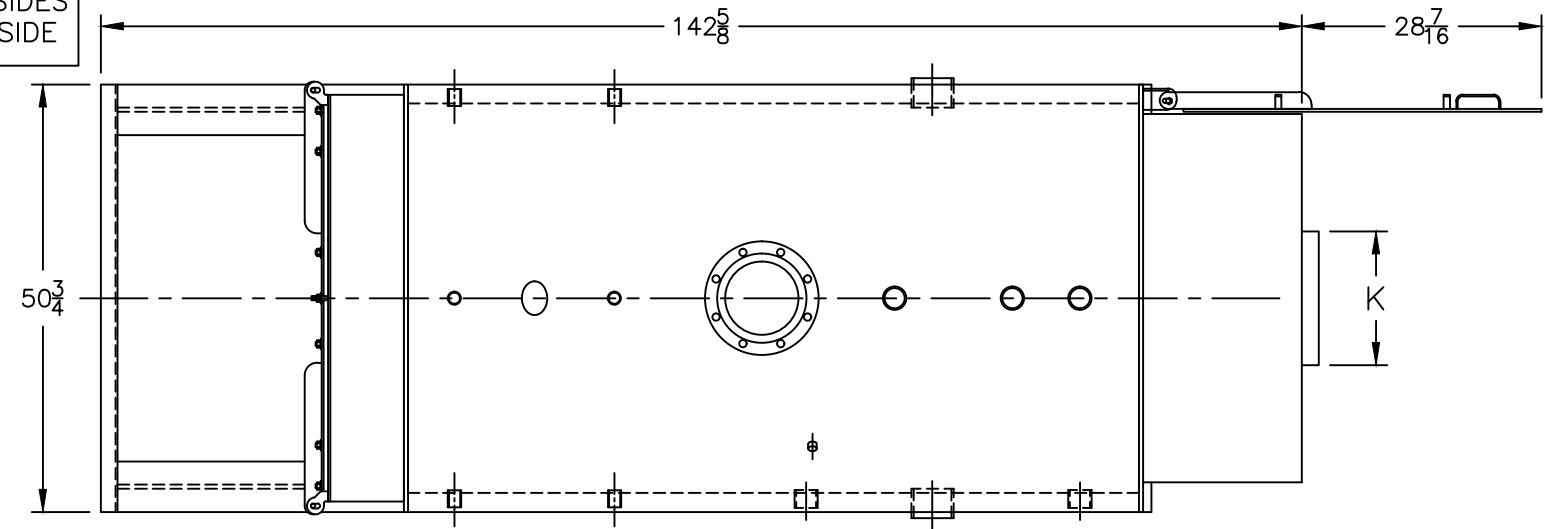
Water Content  
 Pounds - 4732  
 Gallons (U.S.) - 568  
 Approximate Weight/LBS.  
 Dry - 9015  
 Wet - 13747

### LEGEND

BS = BOTH SIDES  
 RS = RIGHT SIDE

### LEGEND CONNECTIONS

- A = 8" FLANGED SUPPLY (150#)
- B = 4" RETURN
- C = 2" WASHOUT
- D = 1" WATER COLUMN
- E = 3/4" AQUASTAT
- F = 2" SURFACE BLOWOFF/BOTTOM BLOWDOWN
- G = 3 X 4 HANDHOLE
- H = 2" AUXILIARY CONNECTION
- J = 2" SAFETY VALVE
- K = 16" NOMINAL FLUE DIAMETER



SPECIFICATIONS SUBJECT TO CHANGE WITHOUT NOTICE ALL CONNECTIONS ARE THREADED UNLESS OTHERWISE SPECIFIED  
 THIS DOCUMENT CONTAINS CONFIDENTIAL INFORMATION WHICH IS THE PROPERTY OF BURNHAM COMMERCIAL. THIS DOCUMENT MAY NOT BE REPRODUCED, TRANSFERRED OR USED, OR ITS CONTENTS DISCLOSED, WITHOUT THE WRITTEN PERMISSION OF THE OWNER.

**MODEL CL-125A**  
**126.8 BHP**  
**15 PSI STEAM**