

BURNHAM®

Commercial Boilers

LEGEND CONNECTIONS

- A = 3" SUPPLY (WATER)
- B = 3" RETURN (WATER)
- C = 4" SUPPLY (STEAM)
- D = 2-1/2" RETURN (STEAM)
- E = 2" WASHOUT
- F = 1" WATER COLUMN
- G = 3/4" AQUASTAT
- H = 1-1/2" BOTTOM DRAIN
- J = 3" x 4" HANDHOLE
- K = 2" RELIEF VALVE
- L = 1/2" GAUGE
- M = 1-1/2" SURFACE BLOWOFF
- N = 8" NOMINAL FLUE DIAMETER
- P = 3/4" OVERFLOW CONN.

RATINGS AND DATA

Shell Diameter : 26⁷/₈"
 Gross Output - BHP : 19.7 (STM.)
 Gross Output - BHP : 20.1 (WTR.)
 Gross Output - MBH : 660 (STM.)
 Gross Output - MBH : 673 (WTR.)
 Gross Output - Lbs/Hr. : 681 (STM.)
 Net Rating - MBH : 495 (STM.)
 Net Rating - MBH : 585 (WTR.)
 Relief Valve - MBH : 912

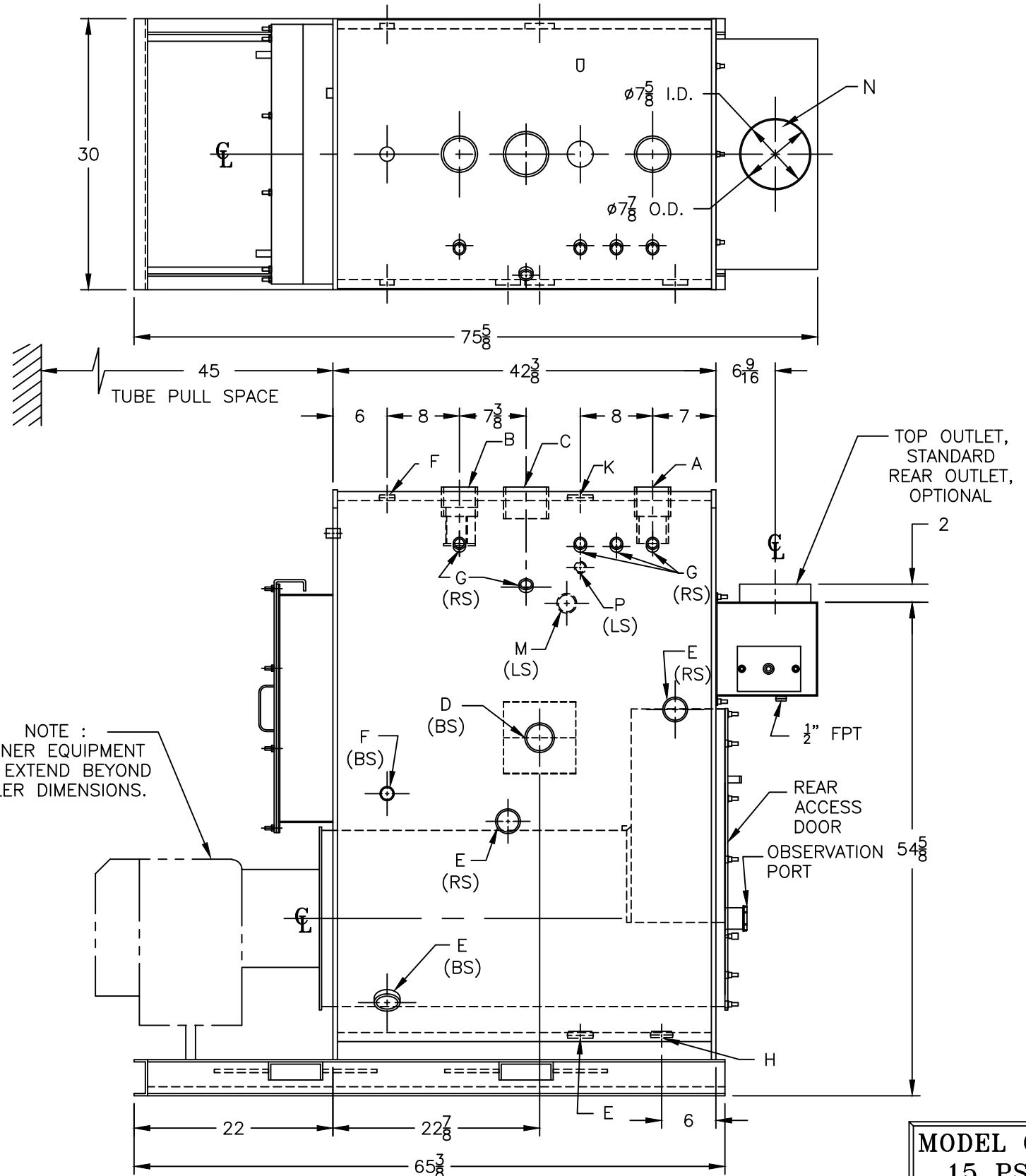
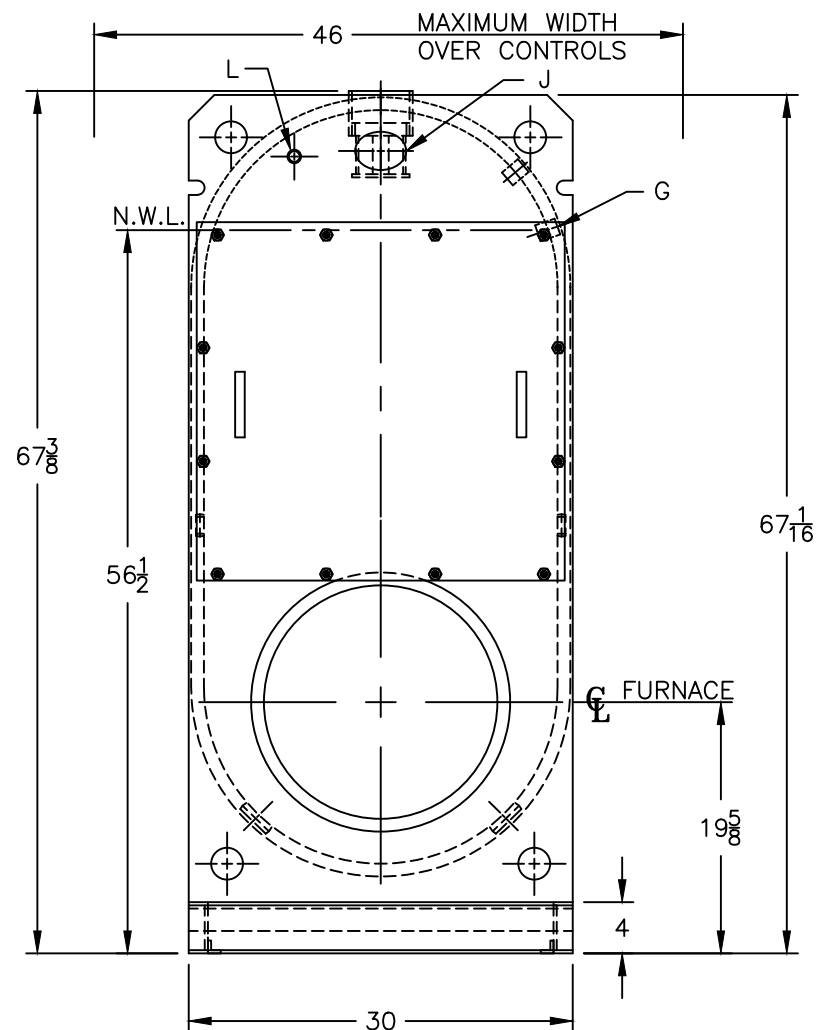
Heating Surface - Sq. Ft.
 Fireside - 114
 Firetubes
 Number - 60
 Diameter - 2" O.D.

Firing Rate
 1000 BTU Gas (MBH) - 816
 140000 BTU/Gal Oil (GPH) - 5.6

Water Content
 Pounds - 1100 (STM.)
 Pounds - 1400 (WTR.)
 Gallons (U.S.) - 132 (STM.)
 Gallons (U.S.) - 168 (WTR.)
 Approximate Weight/LBS.
 Dry - 2500
 Wet - 3600 (STM.)
 Wet - 3900 (WTR.)

LEGEND

BS = BOTH SIDES
 RS = RIGHT SIDE



SPECIFICATIONS SUBJECT TO CHANGE WITHOUT NOTICE
 ALL CONNECTIONS ARE THREADED UNLESS OTHERWISE SPECIFIED

MODEL CL/CW-20
15 PSI STEAM
30 PSI WATER