

BURNHAM®

Commercial Boilers

LEGEND CONNECTIONS

- A = 4" SUPPLY (WATER)
- B = 4" RETURN (WATER)
- C = 6" FLANGED SUPPLY (150#) (STM.)
- D = 3" RETURN (STEAM)
- E = 2" WASHOUT
- F = 1" WATER COLUMN
- G = 3/4" AQUASTAT
- H = 1-1/2" BOTTOM DRAIN
- J = 3" x 4" HANDHOLE
- K = 1-1/2" AUXILIARY CONNECTION
- L = 2" RELIEF VALVE
- M = 1/2" GAUGE
- N = 1-1/2" SURFACE BLOWOFF
- P = 1" OVERFLOW CONN.
- Q = 10" NOMINAL FLUE DIAMETER

RATINGS AND DATA

Shell Diameter : 31 $\frac{3}{8}$ "
 Gross Output - BHP : 50.1 (STM.)
 Gross Output - BHP : 51 (WTR.)
 Gross Output - MBH : 1677 (STM.)
 Gross Output - MBH : 1706 (WTR.)
 Gross Output - Lbs/Hr. : 1729 (STM.)
 Net Rating - MBH : 1293 (STM.)
 Net Rating - MBH : 1483 (WTR.)
 Relief Valve - Lbs/Hr. : 1729

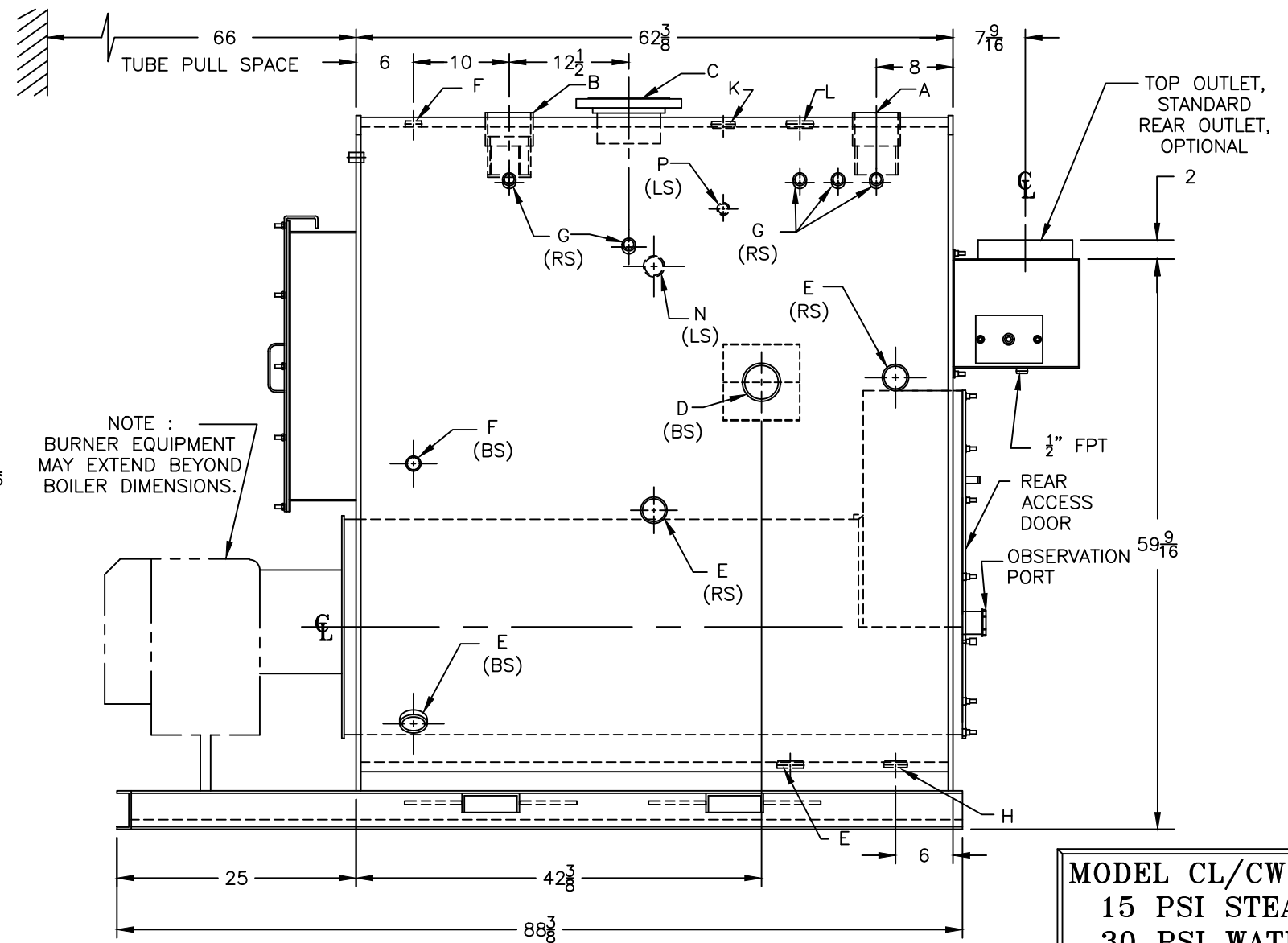
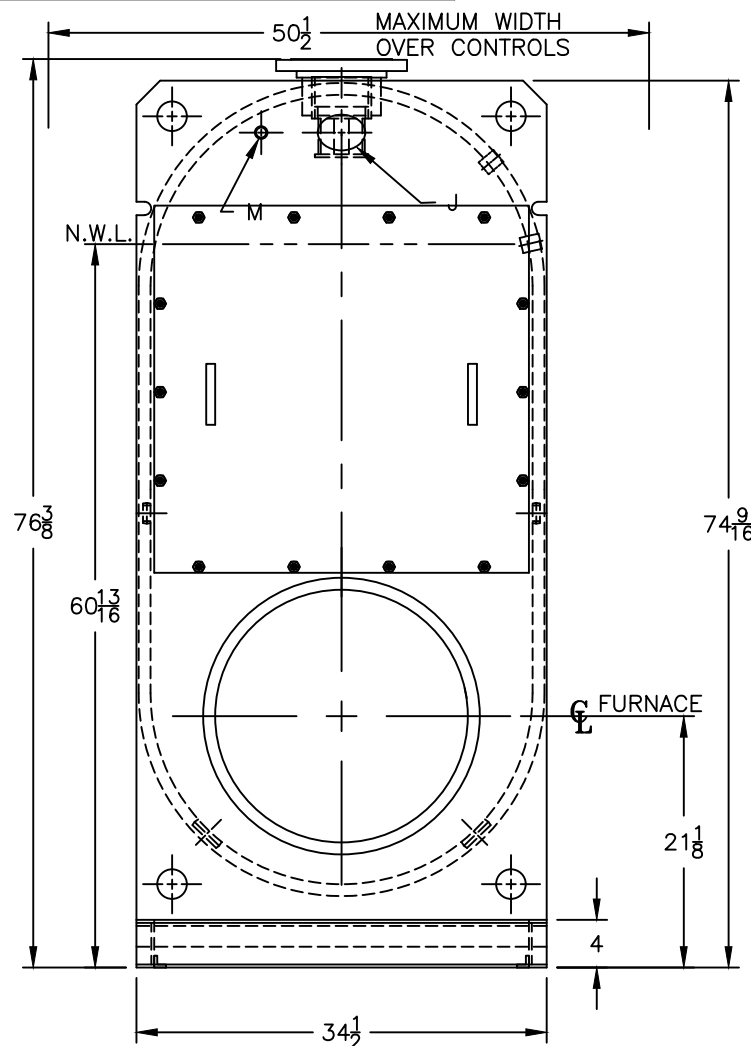
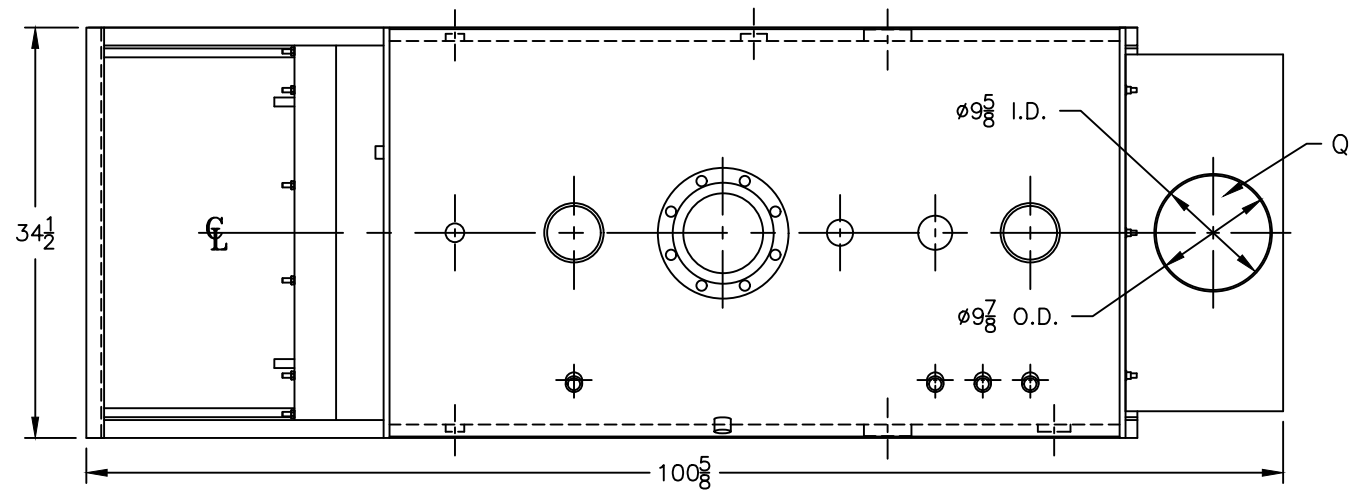
Heating Surface - Sq. Ft.
 Fireside - 200
 Firetubes
 Number - 72
 Diameter - 2" O.D.

Firing Rate
 1000 BTU Gas (MBH) - 2041
 140000 BTU/Gal Oil (GPH) - 14.0

Water Content
 Pounds - 2000 (STM.)
 Pounds - 2600 (WTR.)
 Gallons (U.S.) - 240 (STM.)
 Gallons (U.S.) - 312 (WTR.)
 Approximate Weight/LBS.
 Dry - 3800
 Wet - 5800 (STM.)
 Wet - 6400 (WTR.)

LEGEND

- BS = BOTH SIDES
- RS = RIGHT SIDE
- LS = LEFT SIDE



NOTE :
 BURNER EQUIPMENT
 MAY EXTEND BEYOND
 BOILER DIMENSIONS.

MODEL CL/CW-50
15 PSI STEAM
30 PSI WATER

SPECIFICATIONS SUBJECT TO CHANGE WITHOUT NOTICE
 ALL CONNECTIONS ARE THREADED UNLESS OTHERWISE SPECIFIED