

# BURNHAM®

## Commercial Boilers

### RATINGS AND DATA

Shell Diameter : 31 $\frac{3}{8}$ "  
 Gross Output - BHP : 50.1  
 Gross Output - MBH : 1677  
 Gross Output - Lbs/Hr. : 1729  
 Net Rating - MBH : 1293  
 Safety Valve - Lbs/Hr. : 1806

Heating Surface - Sq. Ft.  
 Fireside - 200  
 Firetubes  
 Number - 72  
 Diameter - 2" O.D.

Firing Rate  
 1000 BTU Gas (MBH) - 2041  
 140000 BTU/Gal Oil (GPH) - 14.0

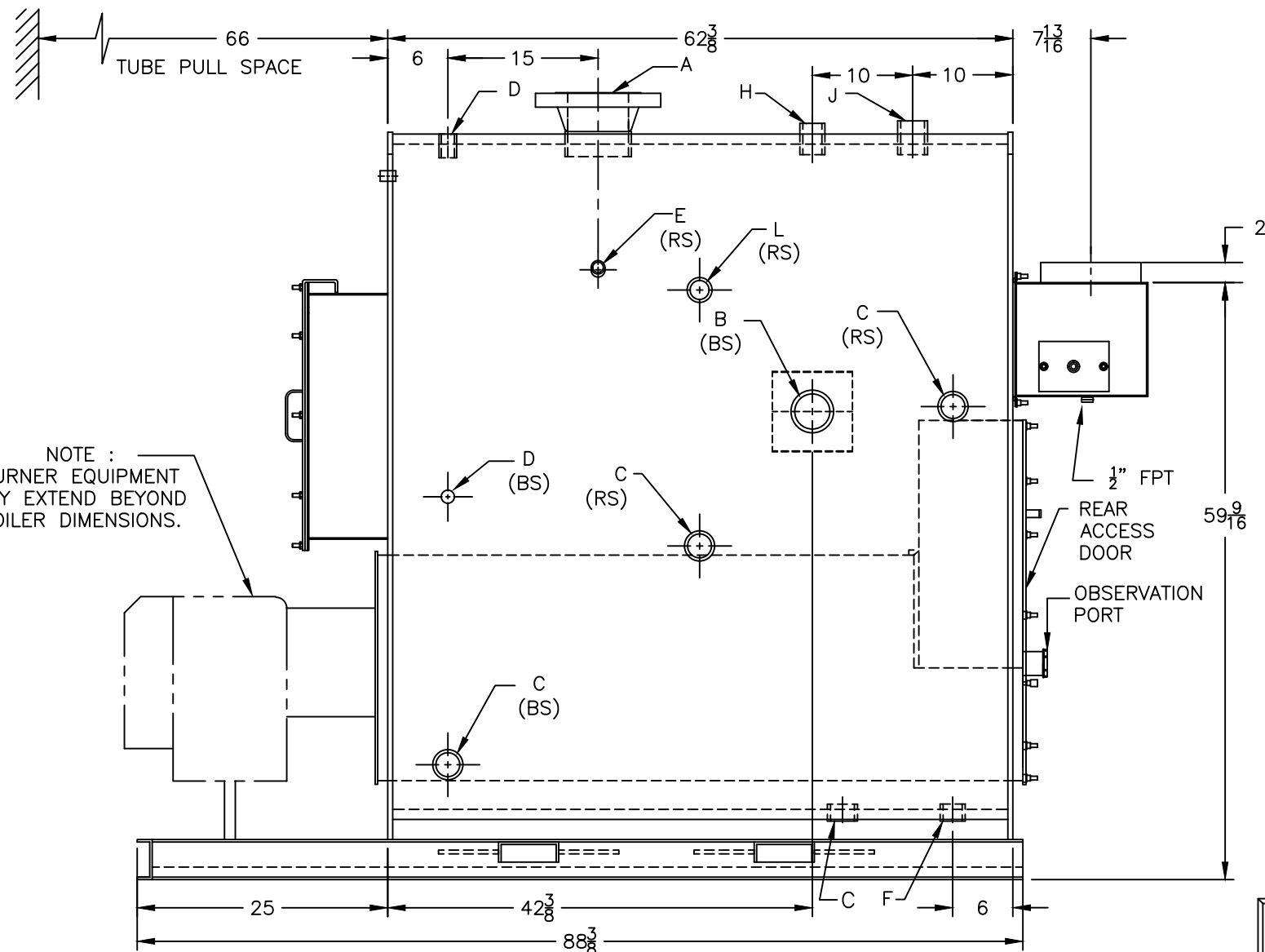
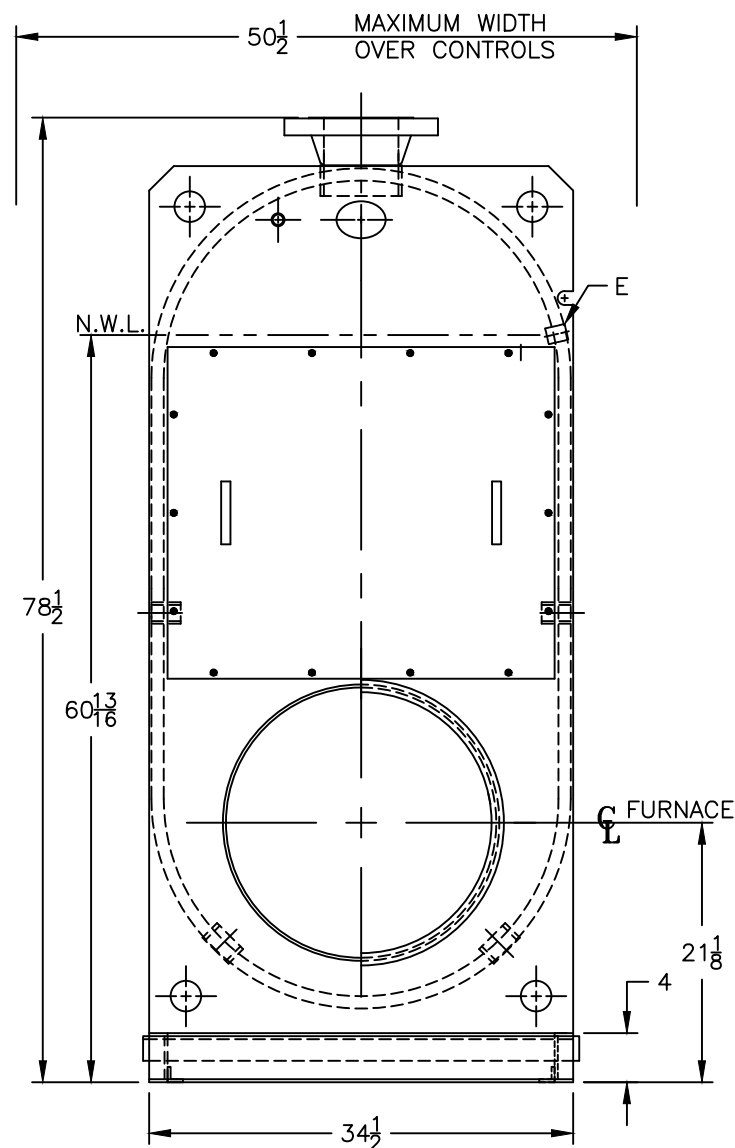
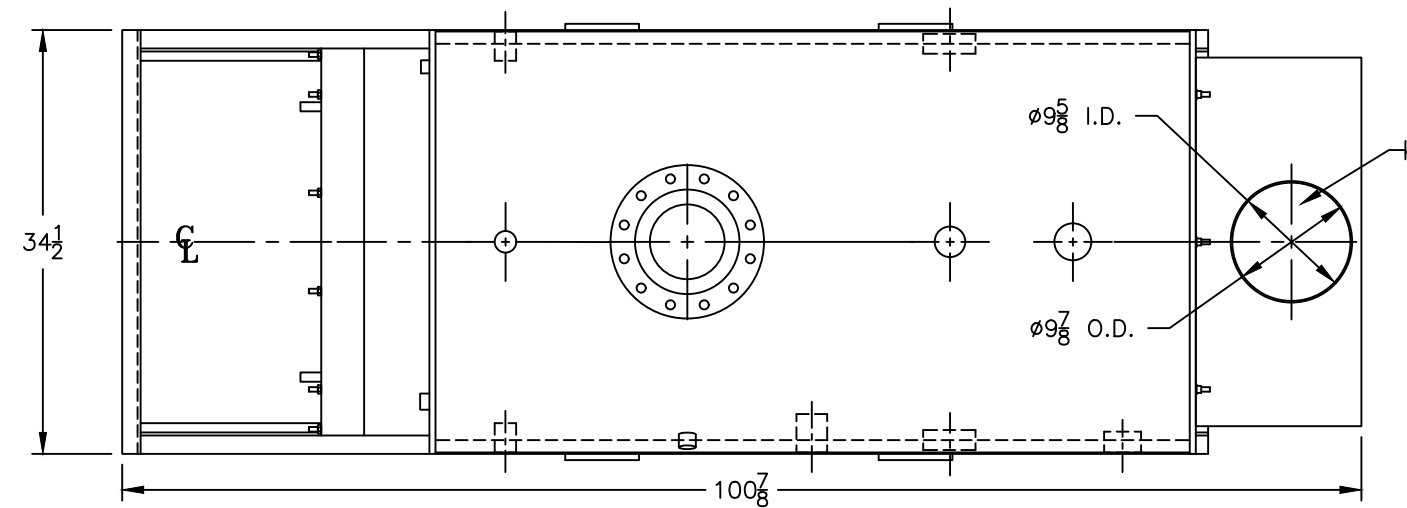
Water Content  
 Pounds - 2000  
 Gallons (U.S.) - 240  
 Approximate Weight/LBS.  
 Dry - 3800  
 Wet - 5800

### LEGEND CONNECTIONS

- A = 6" FLANGED SUPPLY (300#)
- B = 3" RETURN
- C = 2" WASHOUT
- D = 1" WATER COLUMN
- E = 3/4" AQUASTAT
- F = 1-1/2" BOTTOM BLOWDOWN
- G = 3 X 4 HANDHOLE
- H = 1-1/2" AUXILIARY CONNECTION
- J = 2" SAFETY VALVE
- K = 10" NOMINAL FLUE DIAMETER
- L = 1-1/2" SURFACE BLOWOFF

### LEGEND

BS = BOTH SIDES  
 RS = RIGHT SIDE



NOTE :  
 BURNER EQUIPMENT  
 MAY EXTEND BEYOND  
 BOILER DIMENSIONS.

SPECIFICATIONS SUBJECT TO CHANGE WITHOUT NOTICE  
 ALL CONNECTIONS ARE THREADED UNLESS OTHERWISE SPECIFIED

**MODEL CP-50**  
**50.1 BHP**  
**30 PSI STEAM**