

BURNHAM®

Commercial Boilers

RATINGS AND DATA

Shell Diameter : 31 $\frac{3}{8}$ "
 Gross Output - BHP : 60.4
 Gross Output - MBH : 2023
 Gross Output - Lbs/Hr. : 2085
 Safety Valve - Lbs/Hr. : 2177

Heating Surface - Sq. Ft.
 Fireside - 240
 Firetubes
 Number - 72
 Diameter - 2" O.D.

Firing Rate
 1000 BTU Gas (MBH) - 2449
 140000 BTU/Gal Oil (GPH) - 16.8

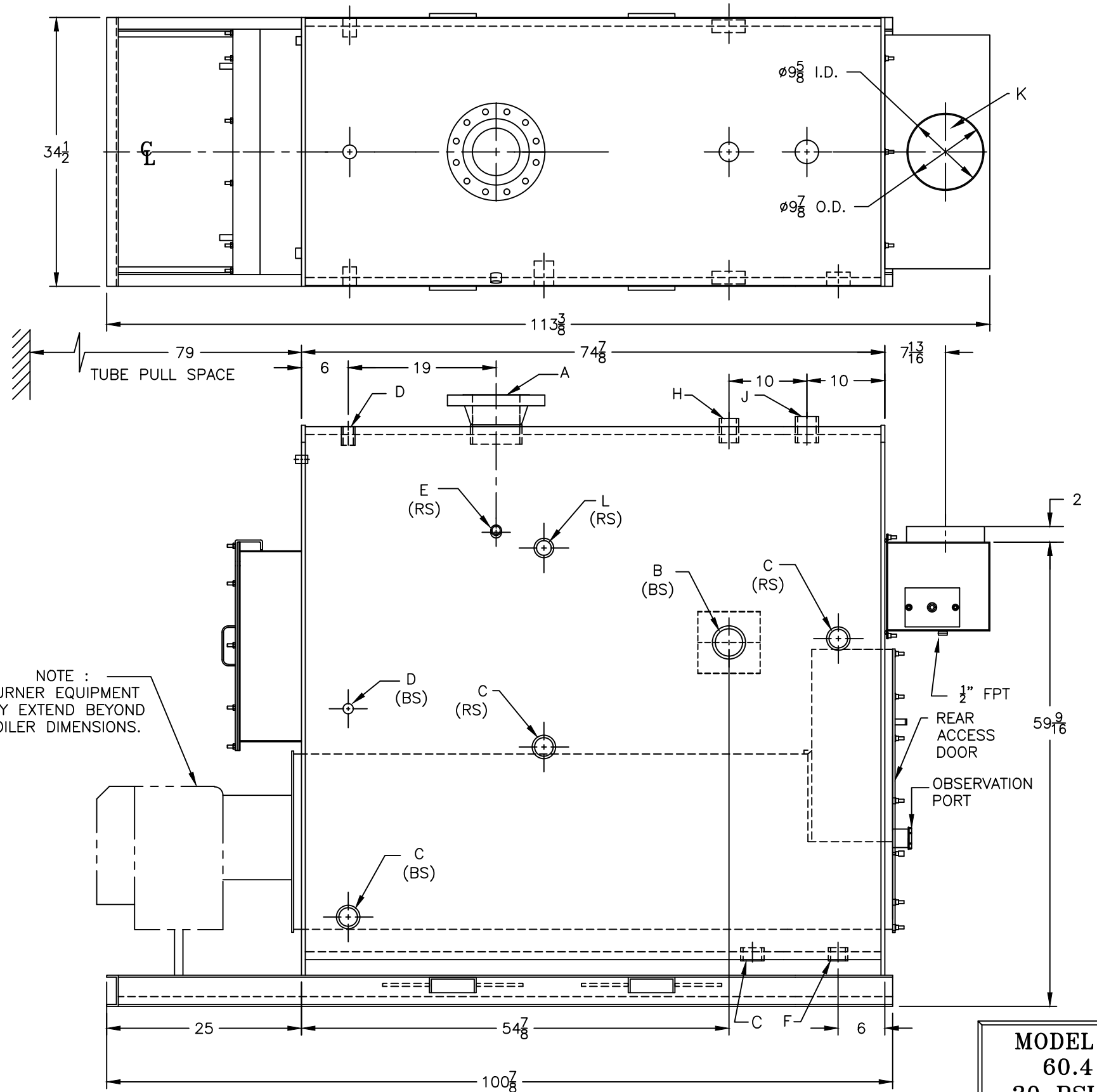
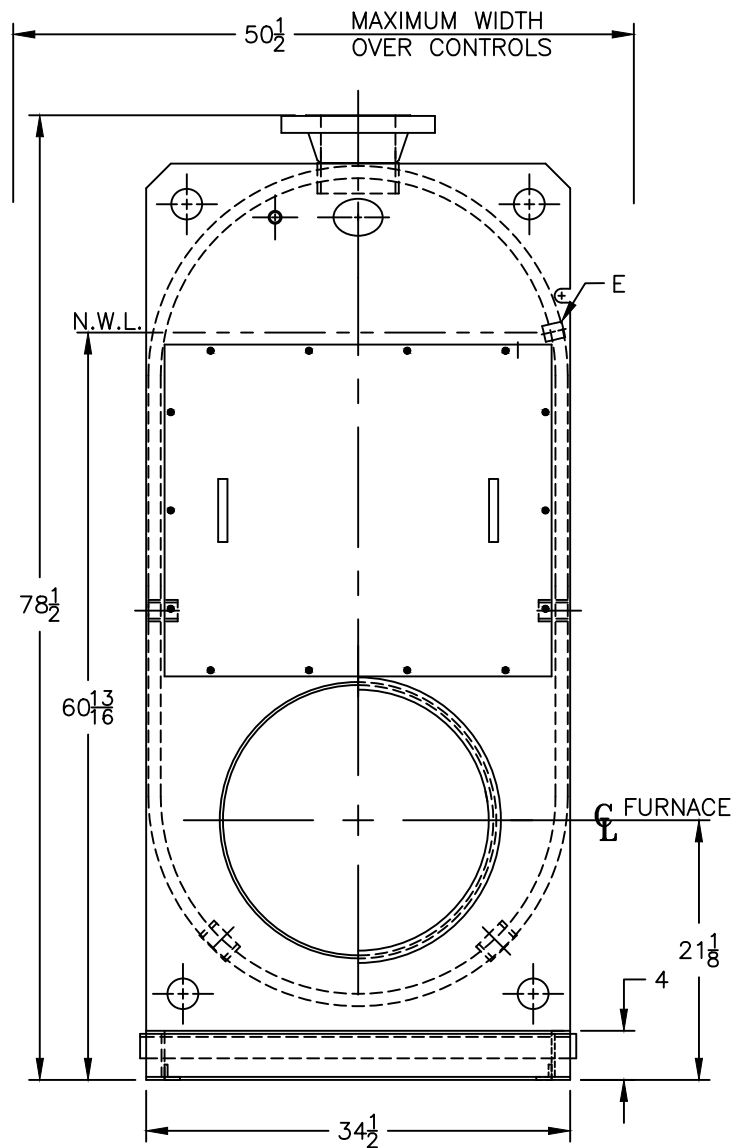
Water Content
 Pounds - 2500
 Gallons (U.S.) - 300
 Approximate Weight/LBS.
 Dry - 4300
 Wet - 6800

LEGEND CONNECTIONS

- A = 6" FLANGED SUPPLY (300#)
- B = 3" RETURN
- C = 2" WASHOUT
- D = 1" WATER COLUMN
- E = 3/4" AQUASTAT
- F = 1-1/2" BOTTOM BLOWDOWN
- G = 3 X 4 HANDHOLE
- H = 1-1/2" AUXILIARY CONNECTION
- J = 2" SAFETY VALVE
- K = 10" NOMINAL FLUE DIAMETER
- L = 1-1/2" SURFACE BLOWOFF

LEGEND

BS = BOTH SIDES
 RS = RIGHT SIDE



SPECIFICATIONS SUBJECT TO CHANGE WITHOUT NOTICE
 ALL CONNECTIONS ARE THREADED UNLESS OTHERWISE SPECIFIED

MODEL CP-60
60.4 BHP
30 PSI STEAM