

BURNHAM®

Commercial Boilers

RATINGS AND DATA

Shell Diameter : 45 $\frac{1}{4}$ "
 Gross Output - BHP : 207.3
 Gross Output - MBH : 6940
 Net Rating - MBH : 6035
 Safety Valve - MBH : 7069

Heating Surface - Sq. Ft.
 Fireside - 732
 Firetubes
 Number - 126
 Diameter - 2" O.D.

Firing Rate
 1000 BTU Gas (MBH) - 8165
 140000 BTU/Gal Oil (GPH) - 56.1

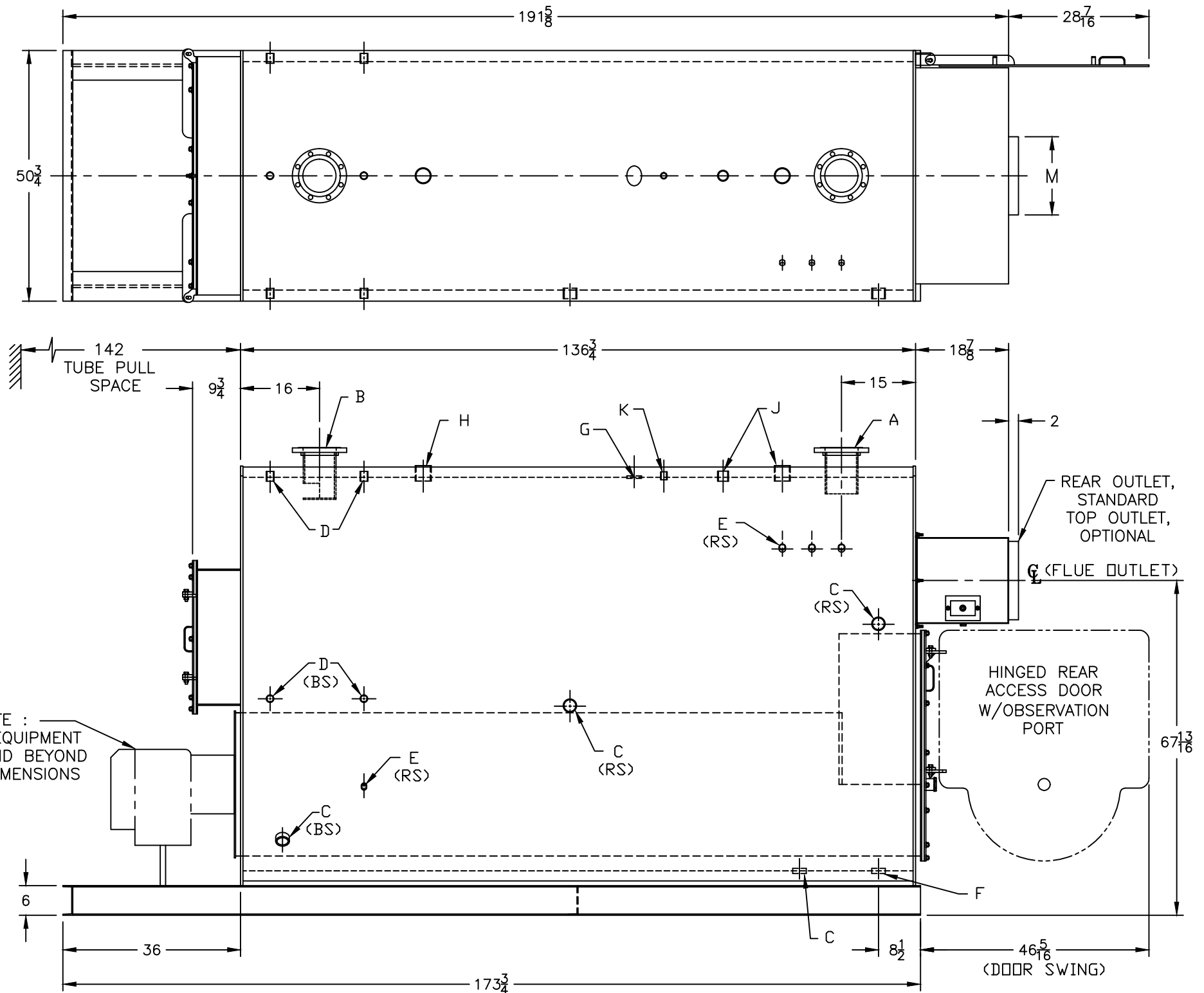
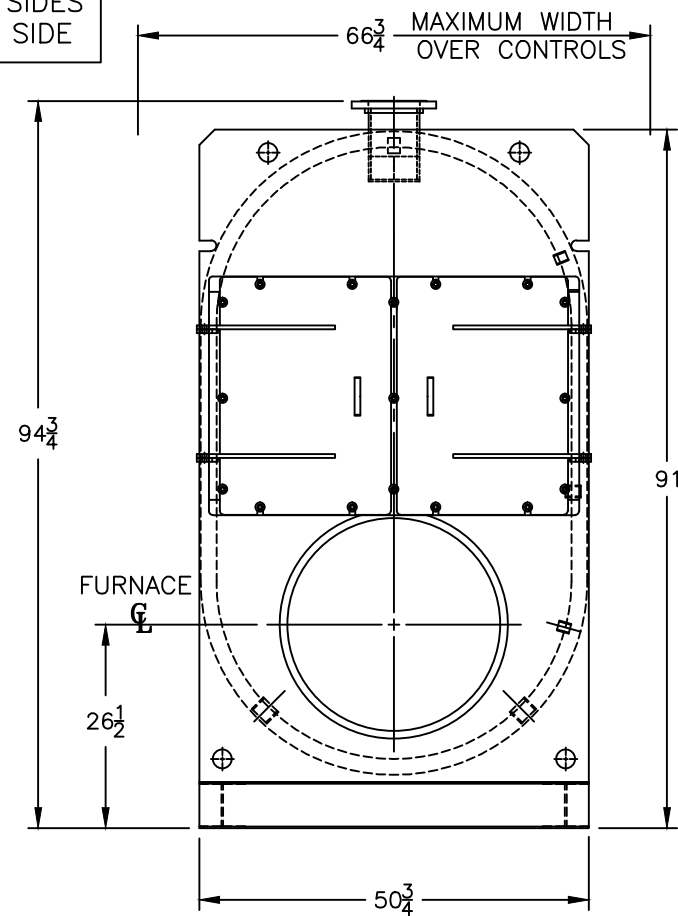
Water Content
 Pounds - 9638
 Gallons (U.S.) - 1157
 Approximate Weight/LBS.
 Dry - 12547
 Wet - 22185

LEGEND CONNECTIONS

- A = 6" 150# FLANGED SUPPLY
- B = 6" 150# FLANGED RETURN
- C = 2" WASHOUT
- D = 1" WATER COLUMN
- E = 3/4" AQUASTAT
- F = 2" DRAIN
- G = 3 X 4 HANDHOLE
- H = 2" AUXILIARY CONNECTION
- J = 2" SAFETY/RELIEF VALVE (1)
- 1-1/2" SAFETY/RELIEF VALVE (1)
- K = 3/4" TEMPERATURE GAUGE
- M = 16" NOMINAL FLUE DIAMETER

LEGEND

- BS = BOTH SIDES
- RS = RIGHT SIDE



NOTE :
 BURNER EQUIPMENT
 MAY EXTEND BEYOND
 BOILER DIMENSIONS

MODEL CW-200A
207.3 BHP
30 PSI WATER

SPECIFICATIONS SUBJECT TO CHANGE WITHOUT NOTICE ALL CONNECTIONS ARE THREADED UNLESS OTHERWISE SPECIFIED
 THIS DOCUMENT CONTAINS CONFIDENTIAL INFORMATION WHICH IS THE PROPERTY OF BURNHAM COMMERCIAL. THIS DOCUMENT MAY NOT BE REPRODUCED, TRANSFERRED OR USED, OR ITS CONTENTS DISCLOSED, WITHOUT THE WRITTEN PERMISSION OF THE OWNER.