

# BURNHAM®

## Commercial Boilers

### RATINGS AND DATA

Shell Diameter : 54"  
 Gross Output - BHP : 104.7  
 Gross Output - MBH : 3506  
 Gross Output - Lbs/Hr : 3614  
 Net Rating - MBH : 2722  
 Net Rating - Sq. Ft. : 11342  
 Safety Valve - Lbs/Hr. : 4000

Heating Surface - Sq. Ft.  
 Fireside - 500  
 Firetubes  
 Number - 106  
 Diameter - 2" O.D.

Firing Rate  
 1000 BTU Gas (MBH) - 4184  
 140000 BTU/Gal Oil (GPH) - 28.9  
 150000 BTU/Gal Oil (GPH) - 27.0

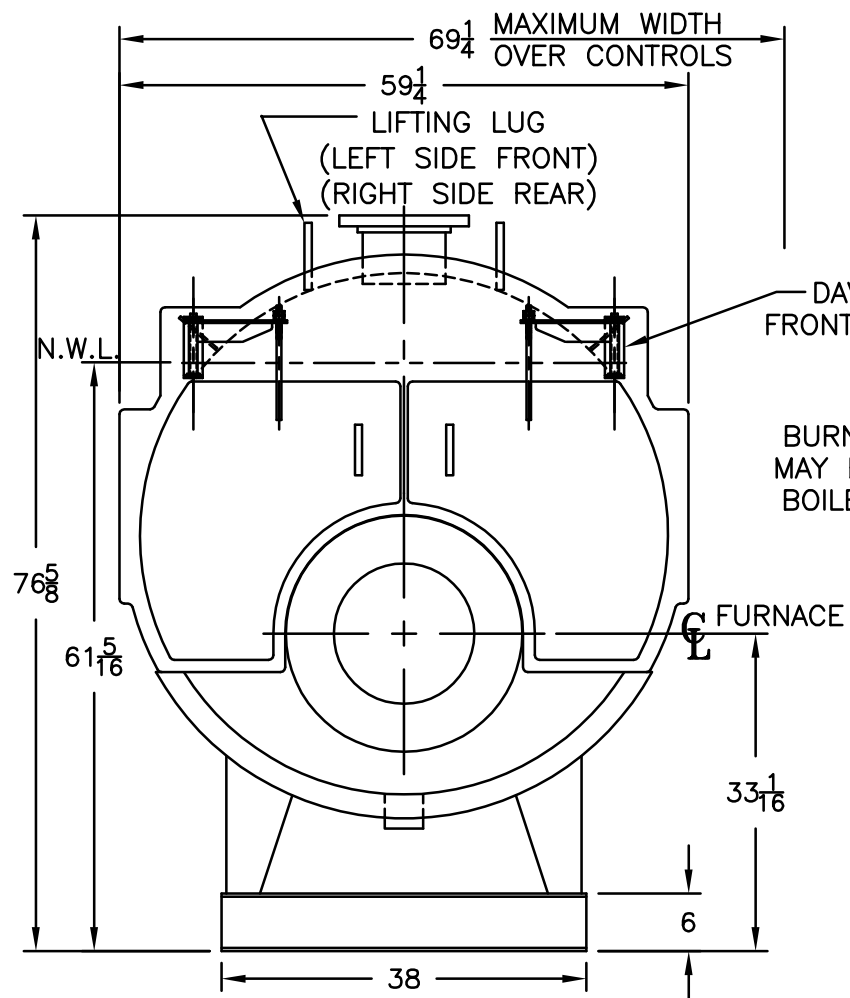
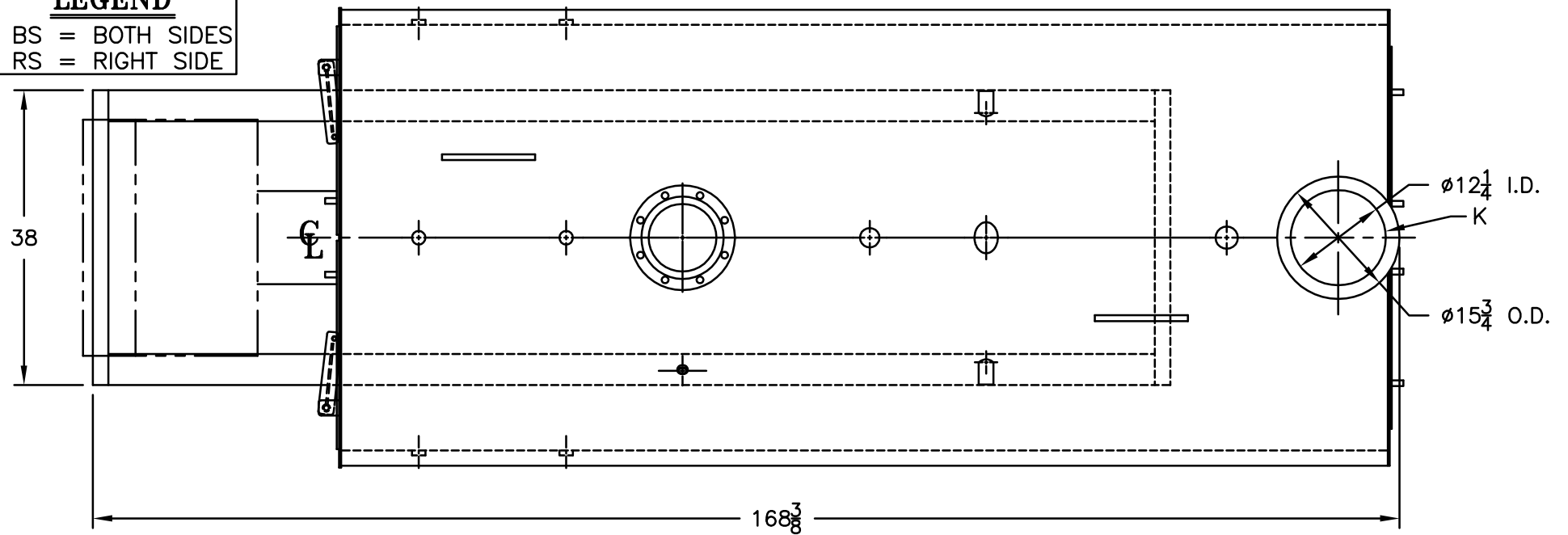
Water Content  
 Pounds - 4774  
 Gallons (U.S.) - 572  
 Approximate Weight/LBS.  
 Dry - 6900  
 Wet - 11674

### LEGEND CONNECTIONS

- A = 8" FLANGED SUPPLY (150#)
- B = 3" RETURN
- C = 3" x 4" HANDHOLE
- D = 1" WATER COLUMN
- E = 3/4" AQUASTAT
- F = 1-1/2" BOTTOM BLOWDOWN
- G = 1-1/2" SURFACE BLOWOFF
- H = 1-1/2" AUXILIARY CONNECTION
- J = 2-1/2" SAFETY VALVE
- K = 12" NOMINAL FLUE DIAMETER

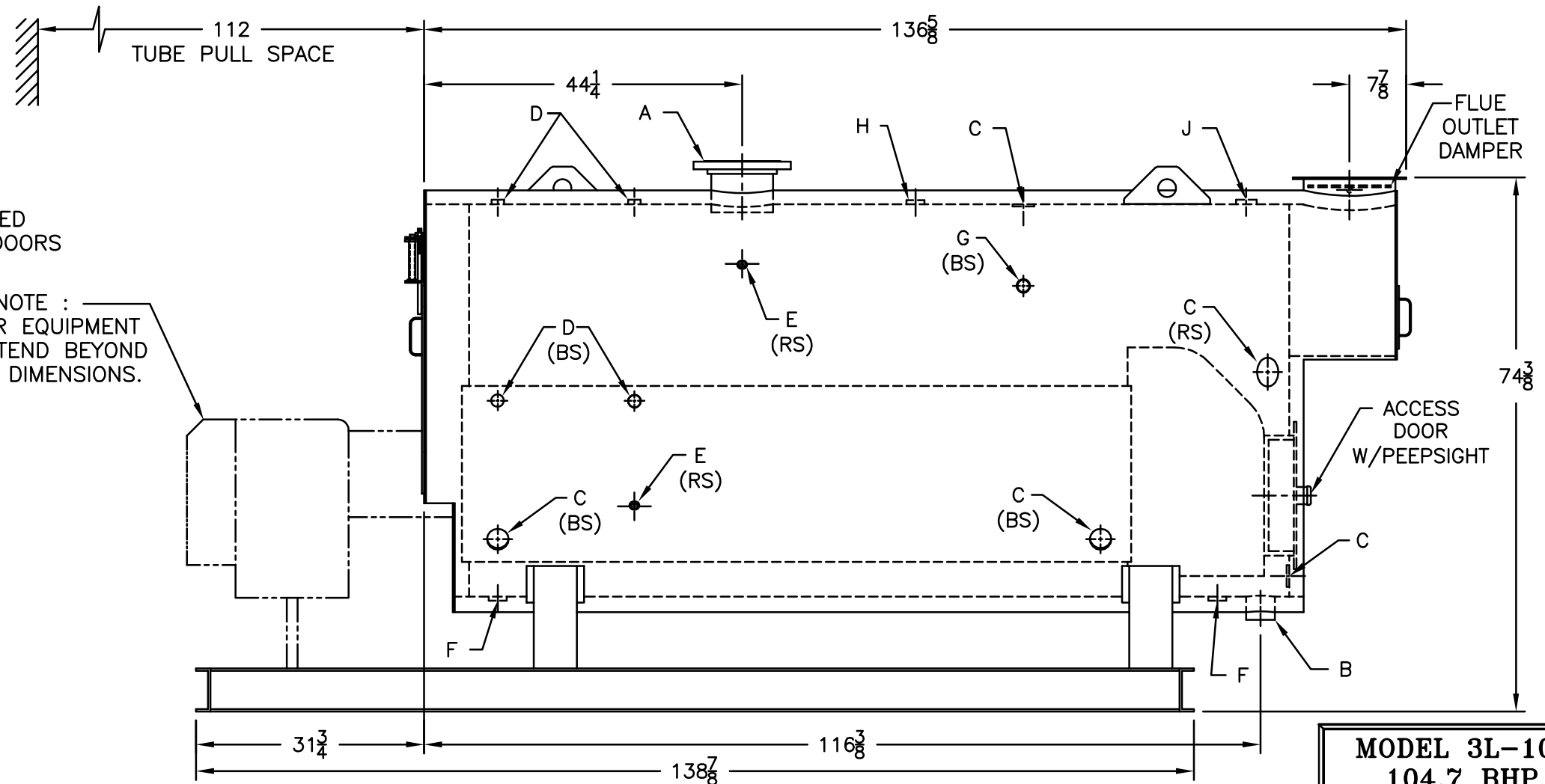
### LEGEND

- BS = BOTH SIDES
- RS = RIGHT SIDE



DAVISED FRONT DOORS

NOTE :  
 BURNER EQUIPMENT  
 MAY EXTEND BEYOND  
 BOILER DIMENSIONS.



**MODEL 3L-100**  
**104.7 BHP**  
**15 PSI STEAM**

SPECIFICATIONS SUBJECT TO CHANGE WITHOUT NOTICE ALL CONNECTIONS ARE THREADED UNLESS OTHERWISE SPECIFIED  
 THIS DOCUMENT CONTAINS CONFIDENTIAL INFORMATION WHICH IS THE PROPERTY OF BURNHAM COMMERCIAL. THIS DOCUMENT MAY NOT BE REPRODUCED, TRANSFERRED OR USED, OR ITS CONTENTS DISCLOSED, WITHOUT THE WRITTEN PERMISSION OF THE OWNER.