

BURNHAM®

Commercial Boilers

LEGEND CONNECTIONS

- A = 12" FLANGED SUPPLY (150#)
- B = 4" RETURN
- C = 3" x 4" HANDHOLE
- D = 1" WATER COLUMN
- E = 3/4" AQUASTAT
- F = 2" BOTTOM BLOWDOWN
- G = 2" SURFACE BLOWOFF
- H = 2" AUXILIARY CONNECTION
- J = 2-1/2" SAFETY VALVE (3)
3" RELIEF VALVE (1)
- K = 12" x 16" MANHOLE
- L = 28" NOMINAL FLUE DIAMETER

RATINGS AND DATA

Shell Diameter : 102"
 Gross Output - BHP : 520
 Gross Output - MBH : 17407
 Gross Output - Lbs/Hr : 17940
 Net Rating - MBH : 13515
 Net Rating - Sq. Ft. : 56312
 Safety Valve - Lbs/Hr. : 20000

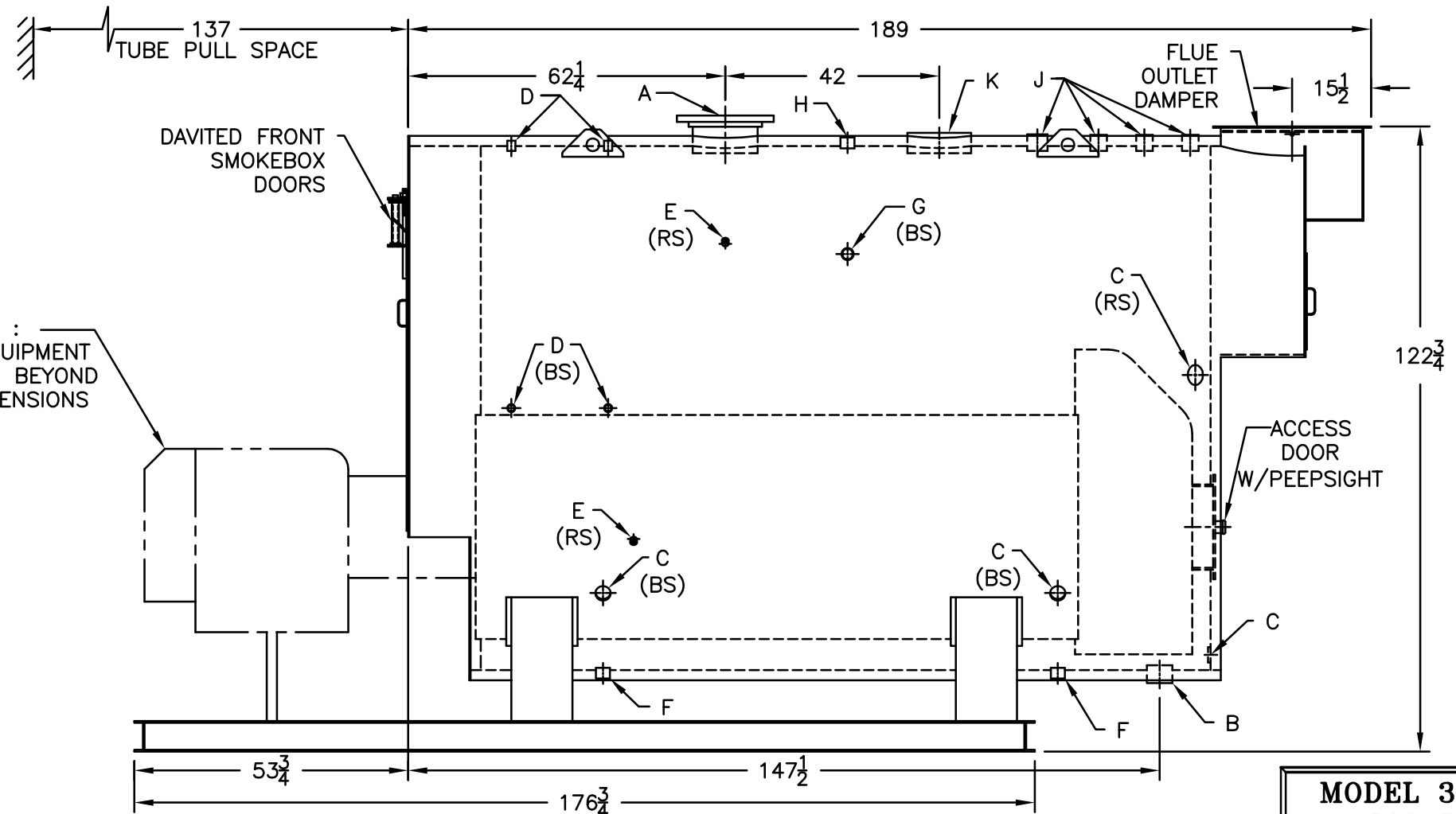
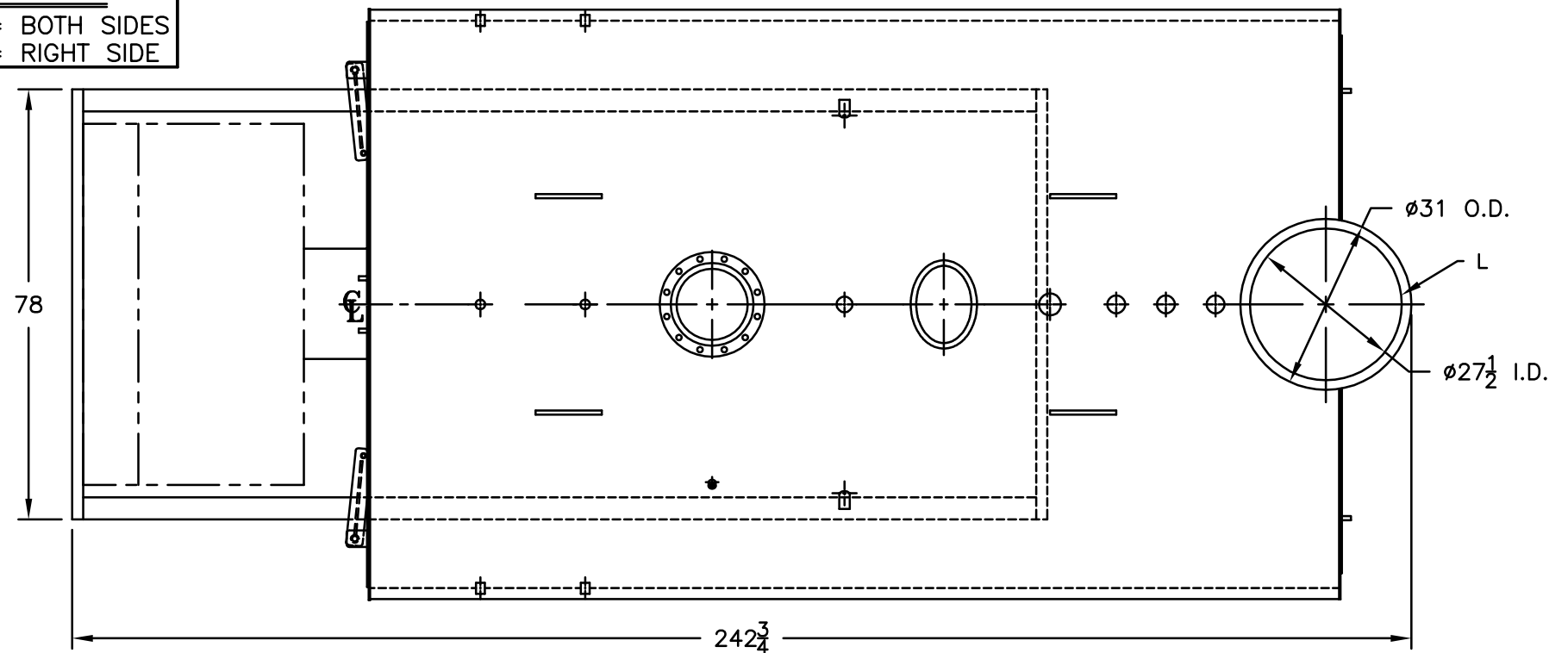
Heating Surface - Sq. Ft.
 Fireside - 2500
 Firetubes
 Number - 362
 Diameter - 2.5" O.D.

Firing Rate
 1000 BTU Gas (MBH) - 20922
 140000 BTU/Gal Oil (GPH) - 143.3
 150000 BTU/Gal Oil (GPH) - 133.7

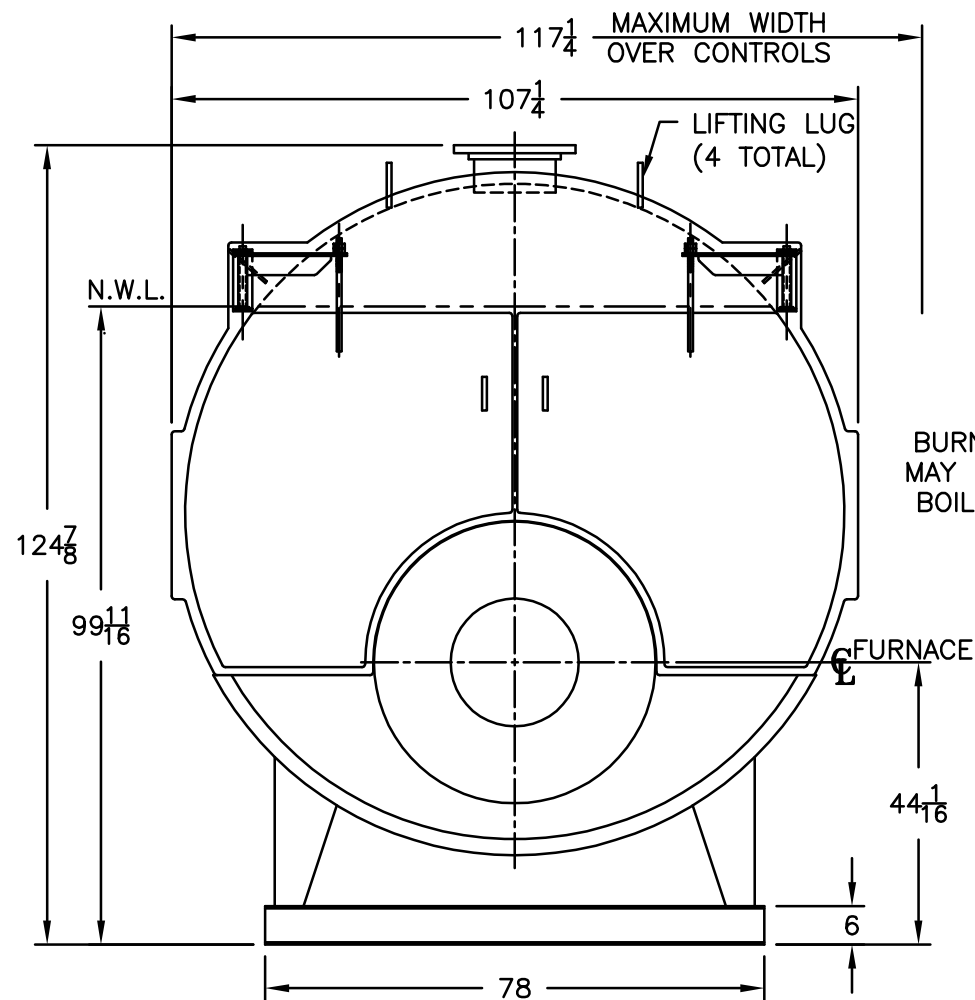
Water Content
 Pounds - 18469
 Gallons (U.S.) - 2217
 Approximate Weight/LBS.
 Dry - 27400
 Wet - 45869

LEGEND

BS = BOTH SIDES
 RS = RIGHT SIDE



NOTE :
 BURNER EQUIPMENT
 MAY EXTEND BEYOND
 BOILER DIMENSIONS



MODEL 3L-500
520 BHP
15 PSI STEAM

SPECIFICATIONS SUBJECT TO CHANGE WITHOUT NOTICE ALL CONNECTIONS ARE THREADED UNLESS OTHERWISE SPECIFIED
 THIS DOCUMENT CONTAINS CONFIDENTIAL INFORMATION WHICH IS THE PROPERTY OF BURNHAM COMMERCIAL. THIS DOCUMENT MAY NOT BE REPRODUCED, TRANSFERRED OR USED, OR ITS CONTENTS DISCLOSED, WITHOUT THE WRITTEN PERMISSION OF THE OWNER.