

# BURNHAM®

## Commercial Boilers

### LEGEND CONNECTIONS

- A = 12" FLANGED SUPPLY (150#)
- B = 4" RETURN
- C = 3" x 4" HANDHOLE
- D = 1" WATER COLUMN
- E = 3/4" AQUASTAT
- F = 2" BOTTOM BLOWDOWN
- G = 2" SURFACE BLOWOFF
- H = 2" AUXILIARY CONNECTION
- J = 2-1/2" SAFETY VALVE (1)  
3" RELIEF VALVE (3)
- K = 12" x 16" MANHOLE
- L = 28" NOMINAL FLUE DIAMETER

### RATINGS AND DATA

Shell Diameter : 102"  
 Gross Output - BHP : 632.2  
 Gross Output - MBH : 21164  
 Gross Output - Lbs/Hr : 21813  
 Net Rating - MBH : 16432  
 Net Rating - Sq. Ft. : 68466  
 Safety Valve - Lbs/Hr. : 24000

---

Heating Surface - Sq. Ft.  
 Fireside - 3000  
 Firetubes  
 Number - 362  
 Diameter - 2.5" O.D.

---

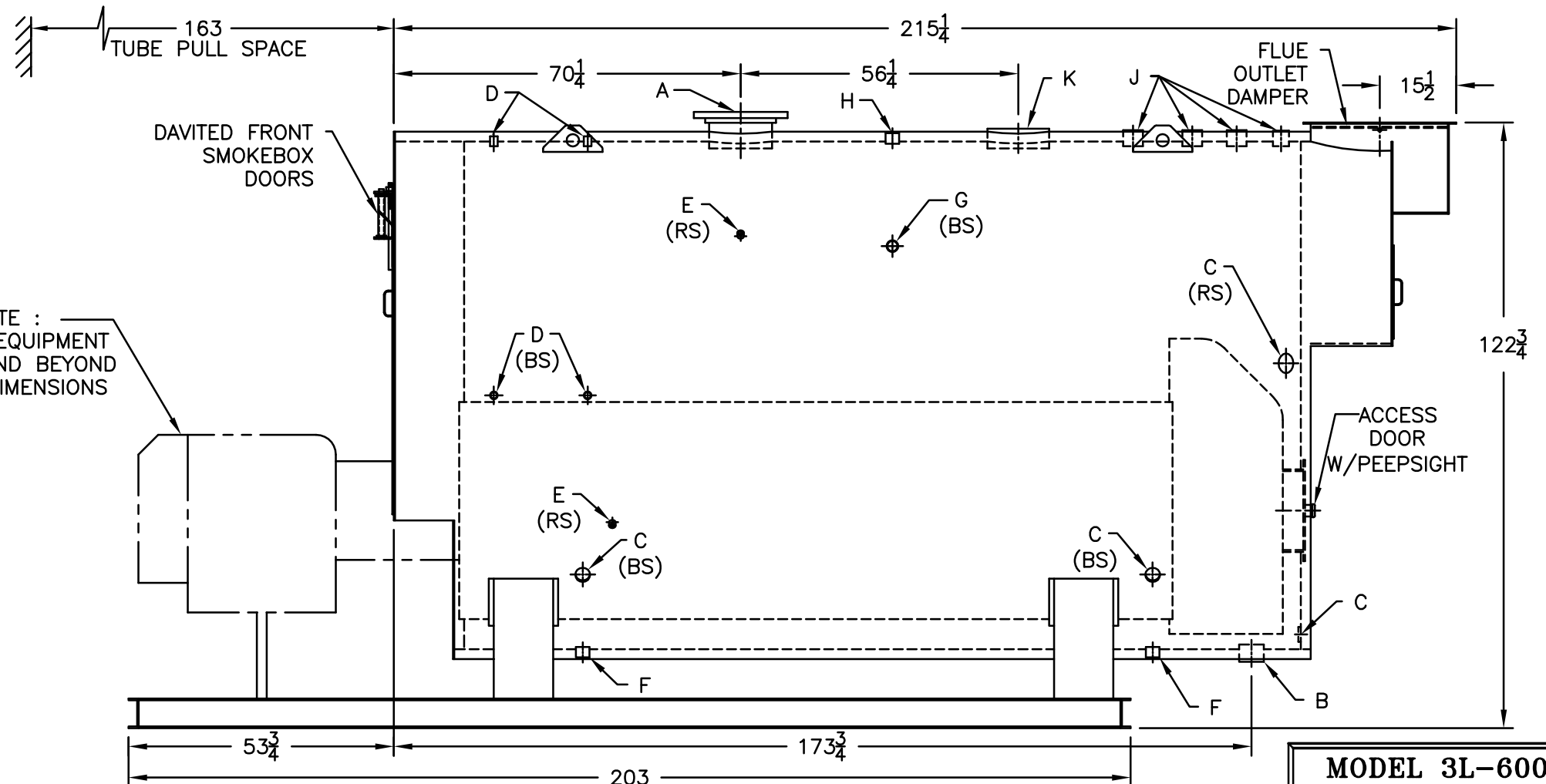
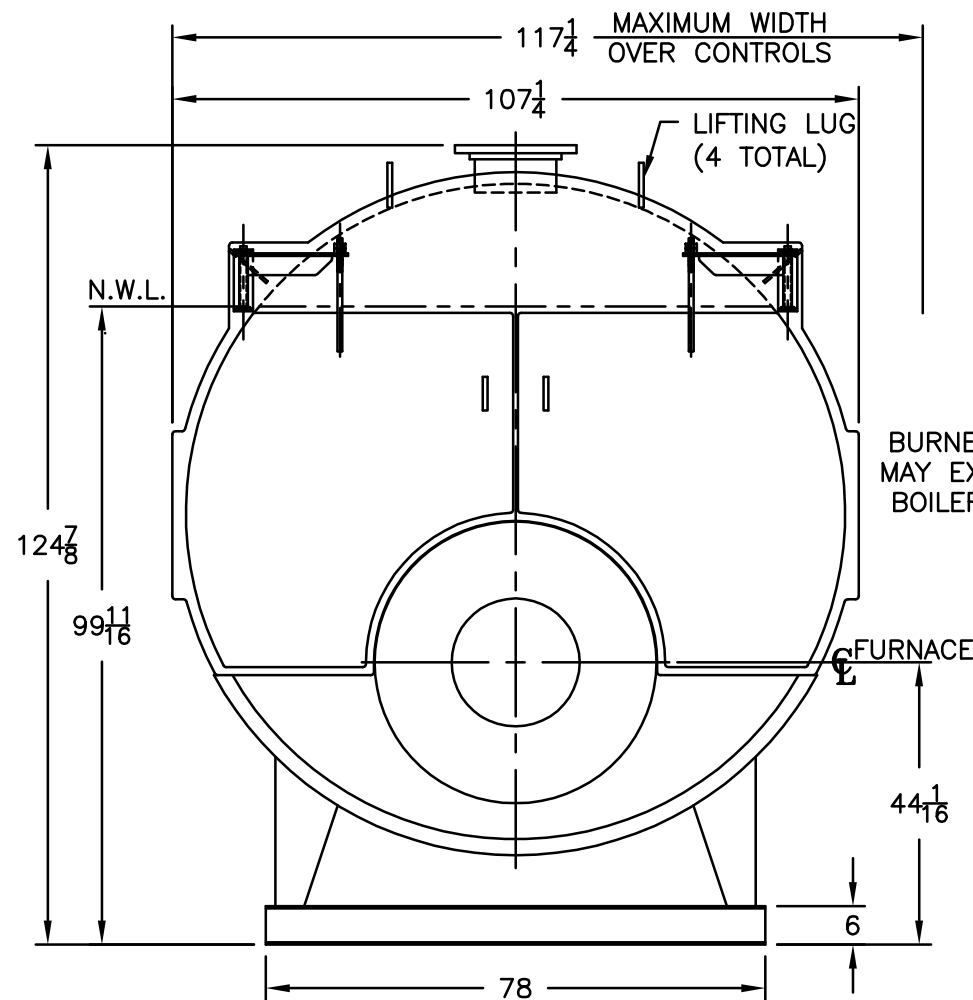
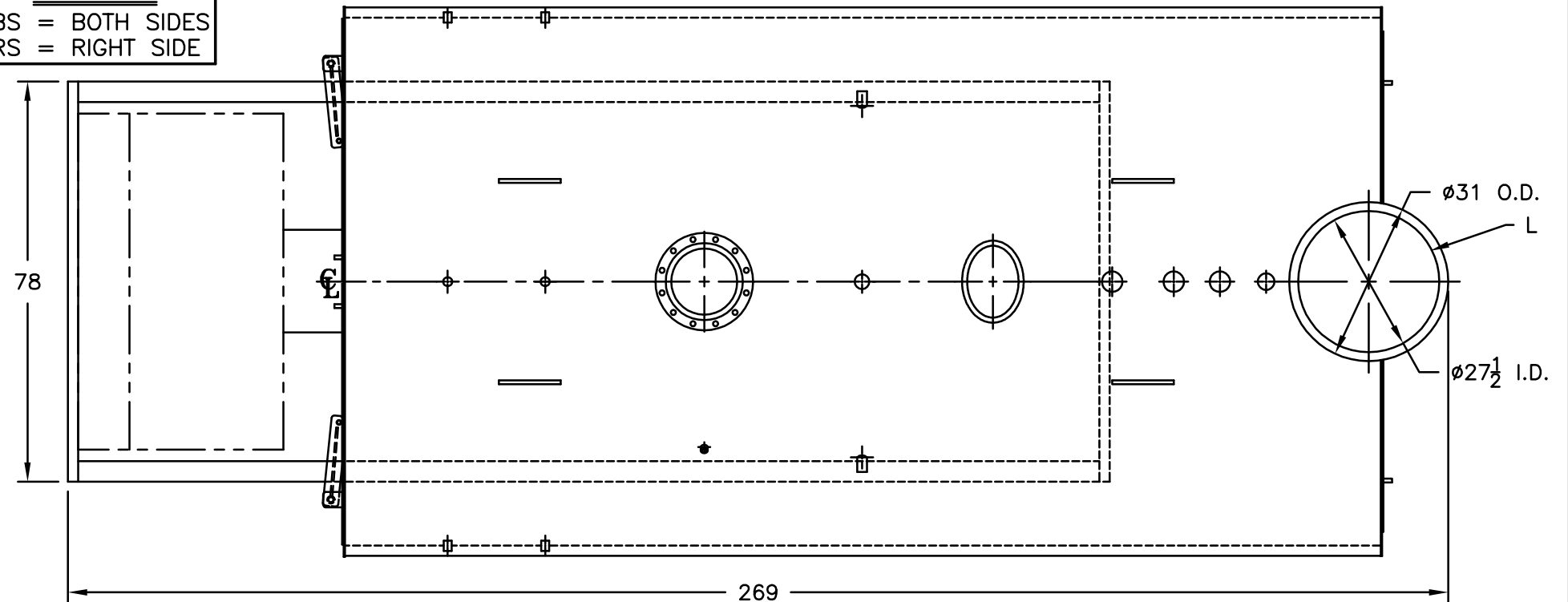
Firing Rate  
 1000 BTU Gas (MBH) - 25106  
 140000 BTU/Gal Oil (GPH) - 172.6  
 150000 BTU/Gal Oil (GPH) - 161.1

---

Water Content  
 Pounds - 22111  
 Gallons (U.S.) - 2654  
 Approximate Weight/LBS.  
 Dry - 31500  
 Wet - 53611

### LEGEND

BS = BOTH SIDES  
 RS = RIGHT SIDE



**MODEL 3L-600**  
**632.2 BHP**  
**15 PSI STEAM**

SPECIFICATIONS SUBJECT TO CHANGE WITHOUT NOTICE ALL CONNECTIONS ARE THREADED UNLESS OTHERWISE SPECIFIED  
 THIS DOCUMENT CONTAINS CONFIDENTIAL INFORMATION WHICH IS THE PROPERTY OF BURNHAM COMMERCIAL. THIS DOCUMENT MAY NOT BE REPRODUCED, TRANSFERRED OR USED, OR ITS CONTENTS DISCLOSED, WITHOUT THE WRITTEN PERMISSION OF THE OWNER.