

# BURNHAM®

## Commercial Boilers

### LEGEND CONNECTIONS

- A = 8" FLANGED SUPPLY (150#)
- B = 3" RETURN
- C = 3" x 4" HANDHOLE
- D = 1" WATER COLUMN
- E = 3/4" AQUASTAT
- F = 1-1/2" BOTTOM BLOWDOWN
- G = 1-1/2" SURFACE BLOWOFF
- H = 1-1/2" AUXILIARY CONNECTION
- J = 2" SAFETY VALVE
- K = 12" NOMINAL FLUE DIAMETER

### RATINGS AND DATA

Shell Diameter : 54"  
 Gross Output - BHP : 71.1  
 Gross Output - MBH : 2381  
 Gross Output - Lbs/Hr : 2455  
 Net Rating - MBH : 1849  
 Net Rating - Sq. Ft. : 7703  
 Safety Valve - Lbs/Hr. : 2800

---

Heating Surface - Sq. Ft.  
 Fireside - 350  
 Firetubes  
 Number - 106  
 Diameter - 2" O.D.

---

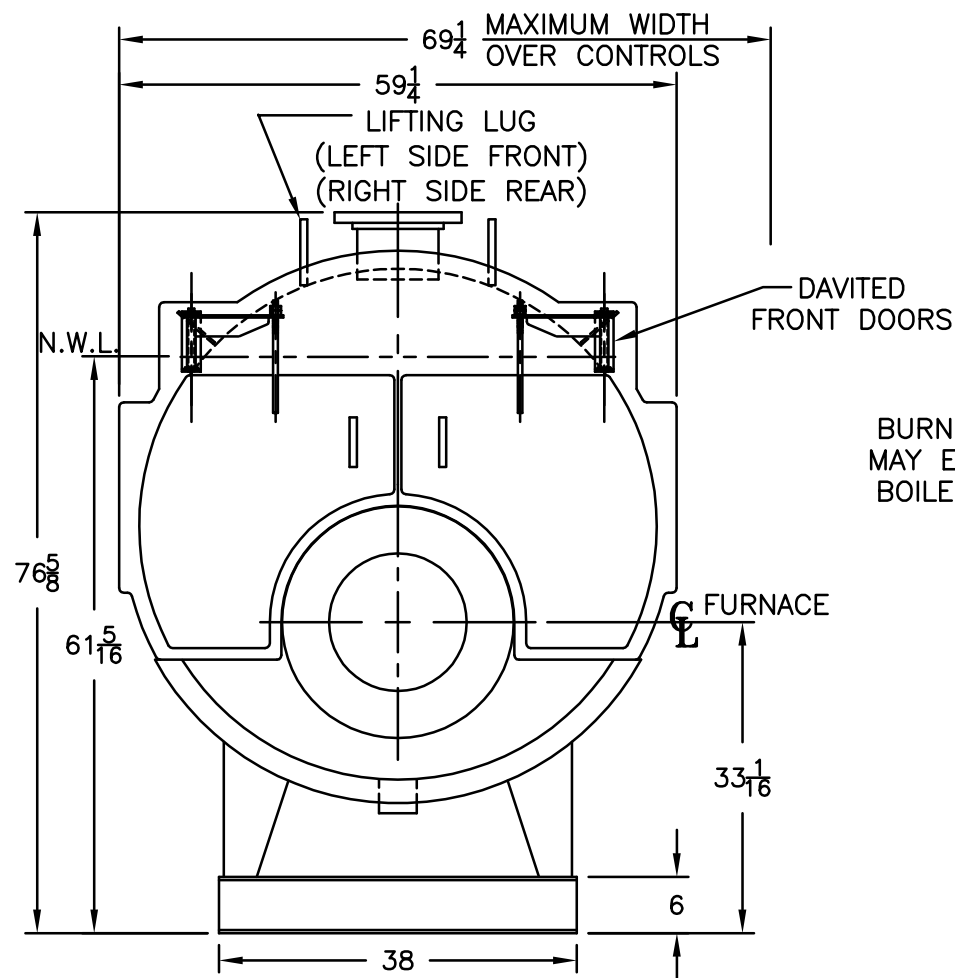
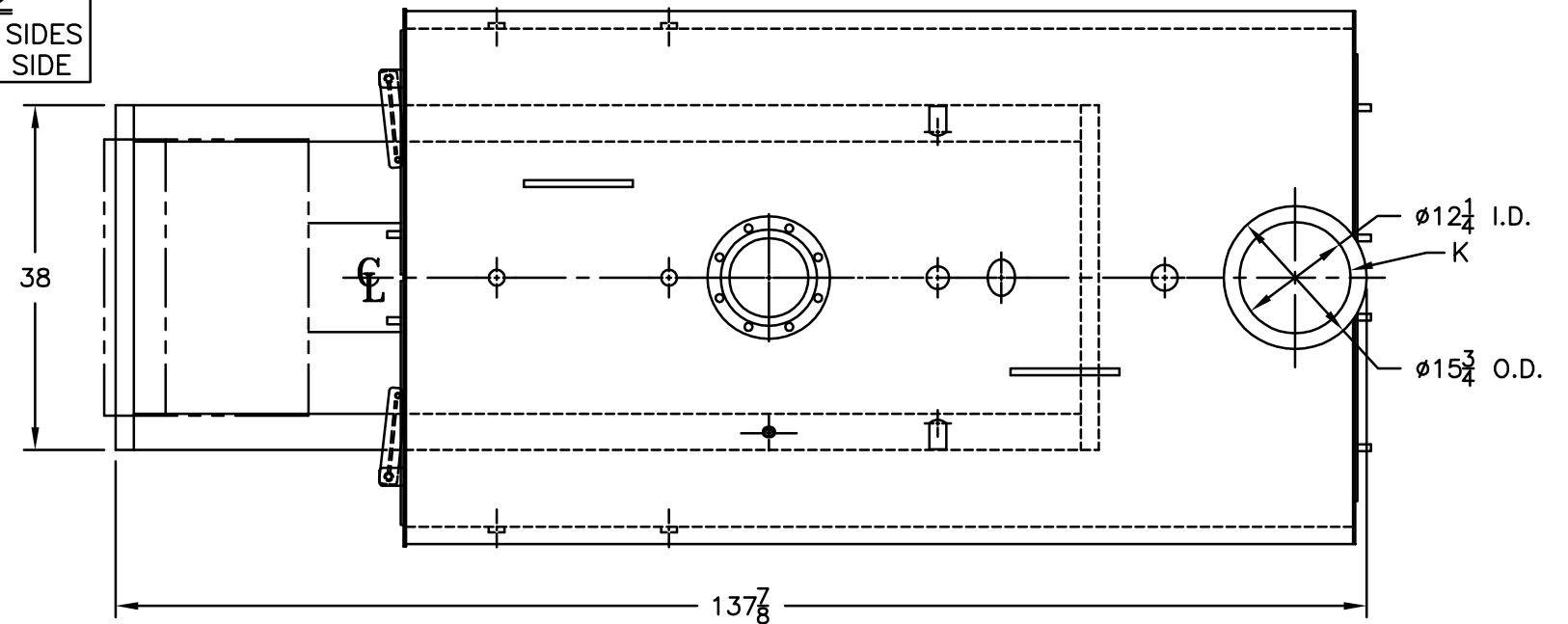
Firing Rate  
 1000 BTU Gas (MBH) - 2929  
 140000 BTU/Gal Oil (GPH) - 20.1  
 150000 BTU/Gal Oil (GPH) - 18.8

---

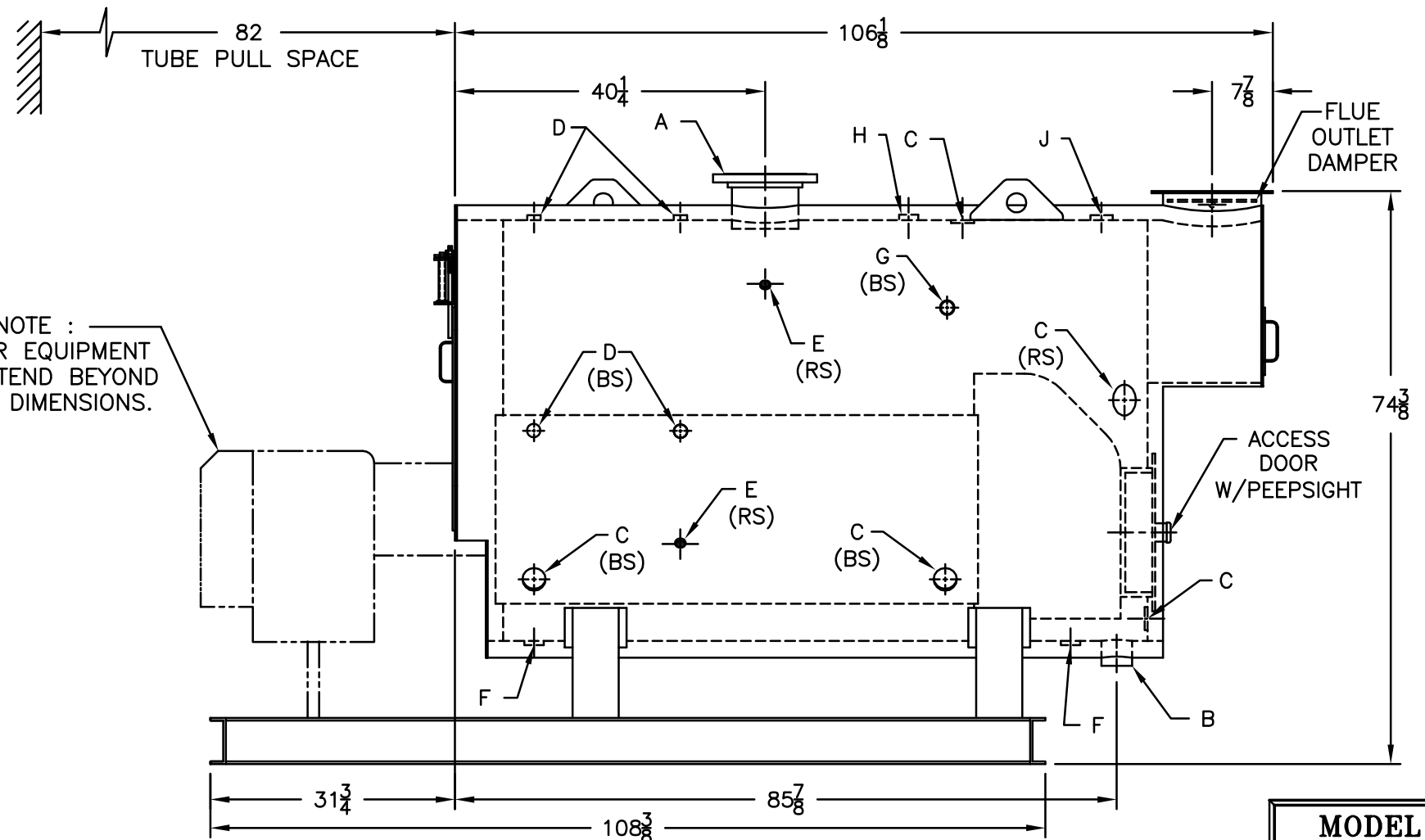
Water Content  
 Pounds - 3414  
 Gallons (U.S.) - 409  
 Approximate Weight/LBS.  
 Dry - 5500  
 Wet - 8914

### LEGEND

BS = BOTH SIDES  
 RS = RIGHT SIDE



NOTE :  
 BURNER EQUIPMENT  
 MAY EXTEND BEYOND  
 BOILER DIMENSIONS.



**MODEL 3L-70**  
**71.1 BHP**  
**15 PSI STEAM**

SPECIFICATIONS SUBJECT TO CHANGE WITHOUT NOTICE ALL CONNECTIONS ARE THREADED UNLESS OTHERWISE SPECIFIED  
 THIS DOCUMENT CONTAINS CONFIDENTIAL INFORMATION WHICH IS THE PROPERTY OF BURNHAM COMMERCIAL. THIS DOCUMENT MAY NOT BE REPRODUCED, TRANSFERRED OR USED, OR ITS CONTENTS DISCLOSED, WITHOUT THE WRITTEN PERMISSION OF THE OWNER.