

BURNHAM®

Commercial Boilers

RATINGS AND DATA

Shell Diameter : 78"
 Gross Output - BHP : 300
 Gross Output - MBH : 10043
 Gross Output - Lbs/Hr : 10350
 Net Rating - MBH : 7797
 Net Rating - Sq. Ft. : 32488
 Safety Valve - Lbs/Hr. : 11716

LEGEND CONNECTIONS

- A = 6" FLANGED SUPPLY (300#)
- B = 2" RETURN
- C = 3" x 4" HANDHOLE
- D = 1" WATER COLUMN
- E = 3/4" AQUASTAT
- F = 2" BOTTOM BLOWDOWN
- G = 2" SURFACE BLOWOFF
- H = 2" AUXILIARY CONNECTION
- J = 1-1/2" SAFETY VALVE (2)
- K = 12" x 16" MANHOLE
- L = 20" NOMINAL FLUE DIAMETER

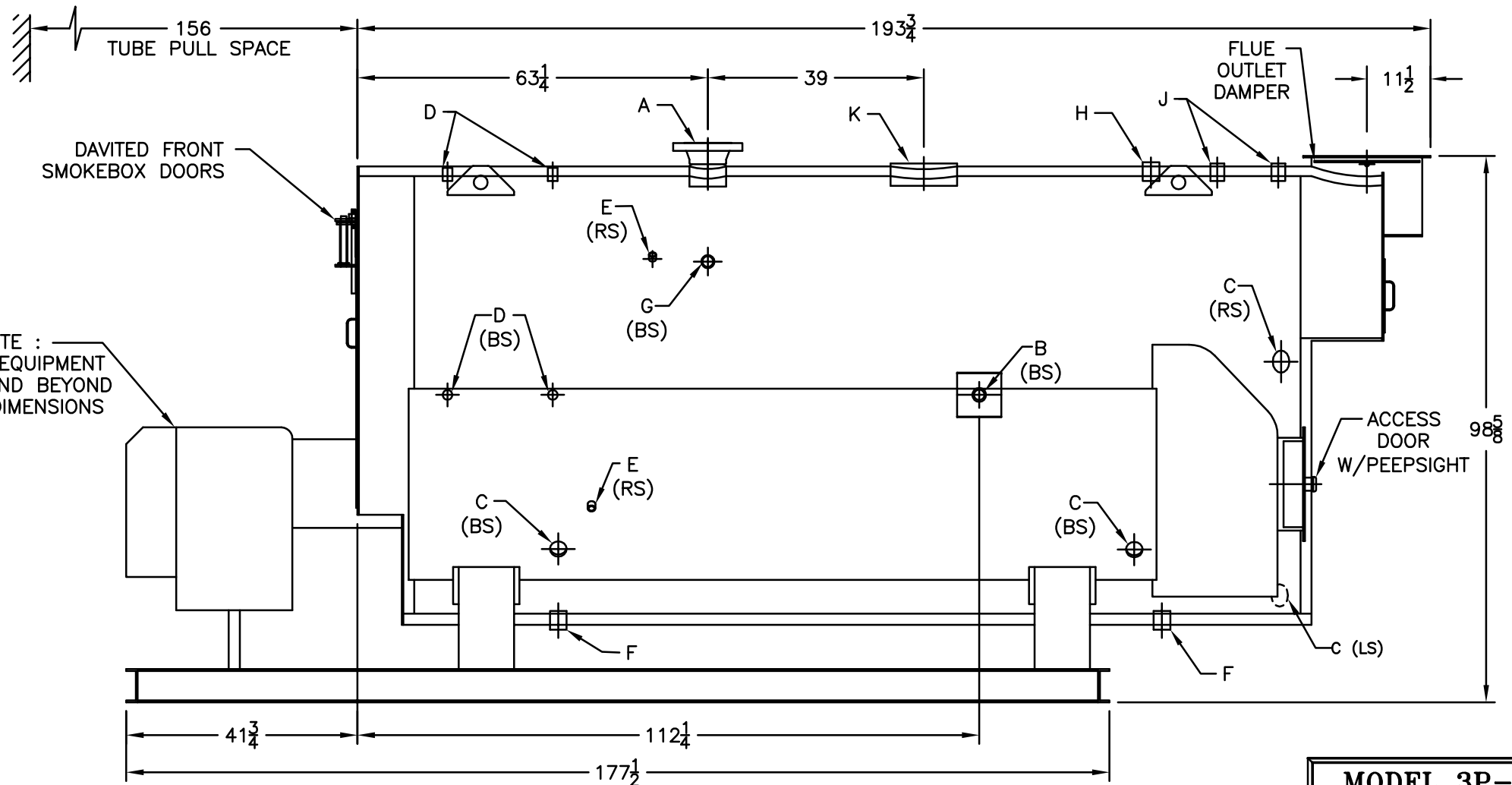
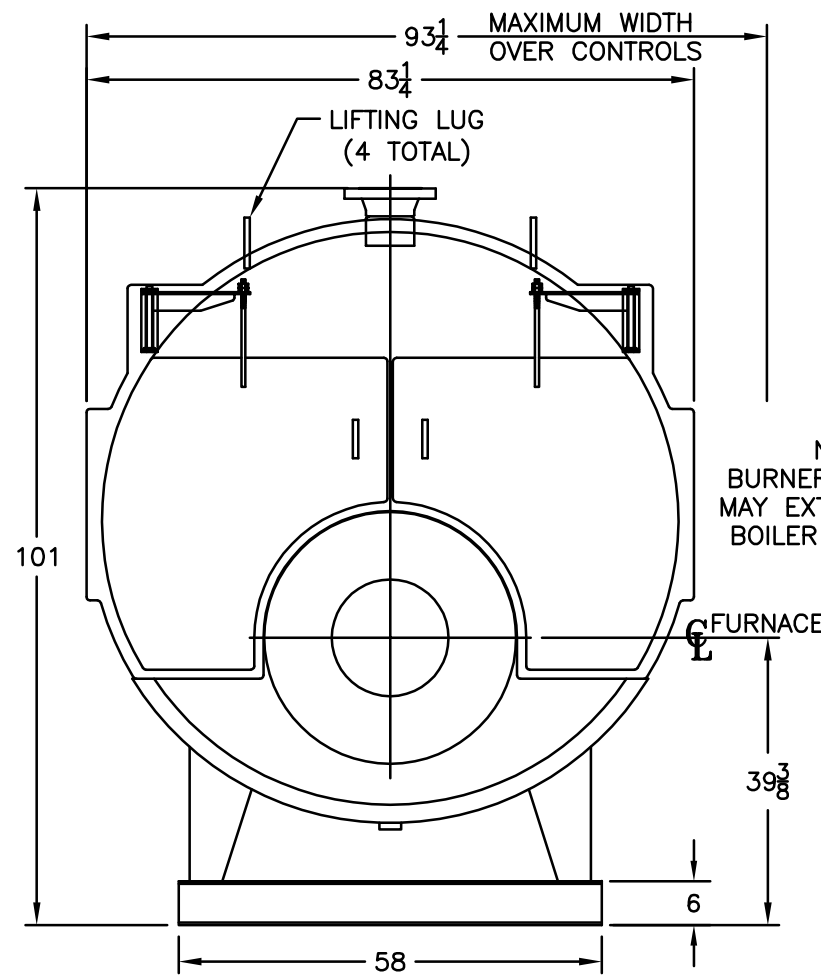
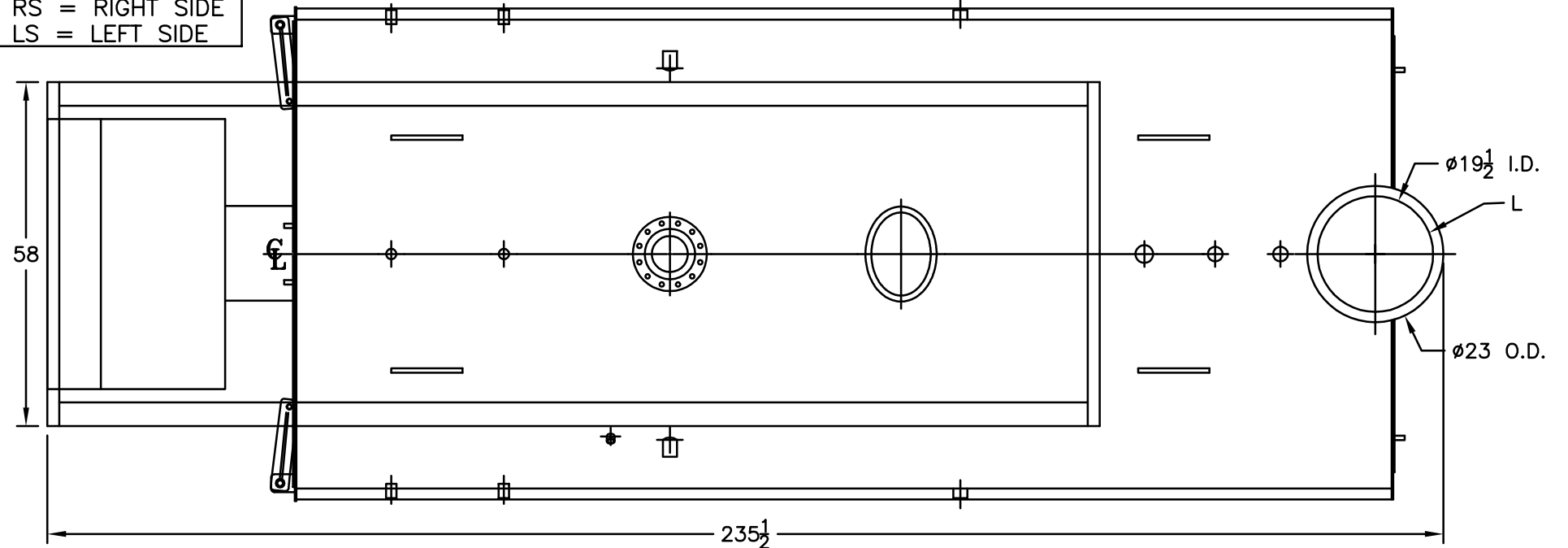
Heating Surface - Sq. Ft.
 Fireside - 1500
 Firetubes
 Number - 186
 Diameter - 2.5" O.D.

Firing Rate
 1000 BTU Gas (MBH) - 12553
 140000 BTU/Gal Oil (GPH) - 86.3
 150000 BTU/Gal Oil (GPH) - 80.5

Water Content
 Pounds - 13305
 Gallons (U.S.) - 1597
 Approximate Weight/LBS.
 Dry - 21400
 Wet - 34705

LEGEND

- BS = BOTH SIDES
- RS = RIGHT SIDE
- LS = LEFT SIDE



SPECIFICATIONS SUBJECT TO CHANGE WITHOUT NOTICE ALL CONNECTIONS ARE THREADED UNLESS OTHERWISE SPECIFIED
 THIS DOCUMENT CONTAINS CONFIDENTIAL INFORMATION WHICH IS THE PROPERTY OF BURNHAM COMMERCIAL. THIS DOCUMENT MAY NOT BE REPRODUCED, TRANSFERRED OR USED, OR ITS CONTENTS DISCLOSED, WITHOUT THE WRITTEN PERMISSION OF THE OWNER.

MODEL 3P-300
300 BHP
150 PSI STEAM