

# BURNHAM®

## Commercial Boilers

### LEGEND CONNECTIONS

- A = 8" FLANGED SUPPLY (300#)
- B = 2-1/2" RETURN
- C = 3" x 4" HANDHOLE
- D = 1" WATER COLUMN
- E = 3/4" AQUASTAT
- F = 2" BOTTOM BLOWDOWN
- G = 2" SURFACE BLOWOFF
- H = 2" AUXILIARY CONNECTION
- J = 2" SAFETY VALVE
- 1-1/2" SAFETY VALVE
- K = 12" x 16" MANHOLE
- L = 24" NOMINAL FLUE DIAMETER

### RATINGS AND DATA

Shell Diameter : 90"  
 Gross Output - BHP : 350  
 Gross Output - MBH : 11716  
 Gross Output - Lbs/Hr : 12075  
 Net Rating - MBH : 9096  
 Net Rating - Sq. Ft. : 37900  
 Safety Valve - Lbs/Hr. : 13668

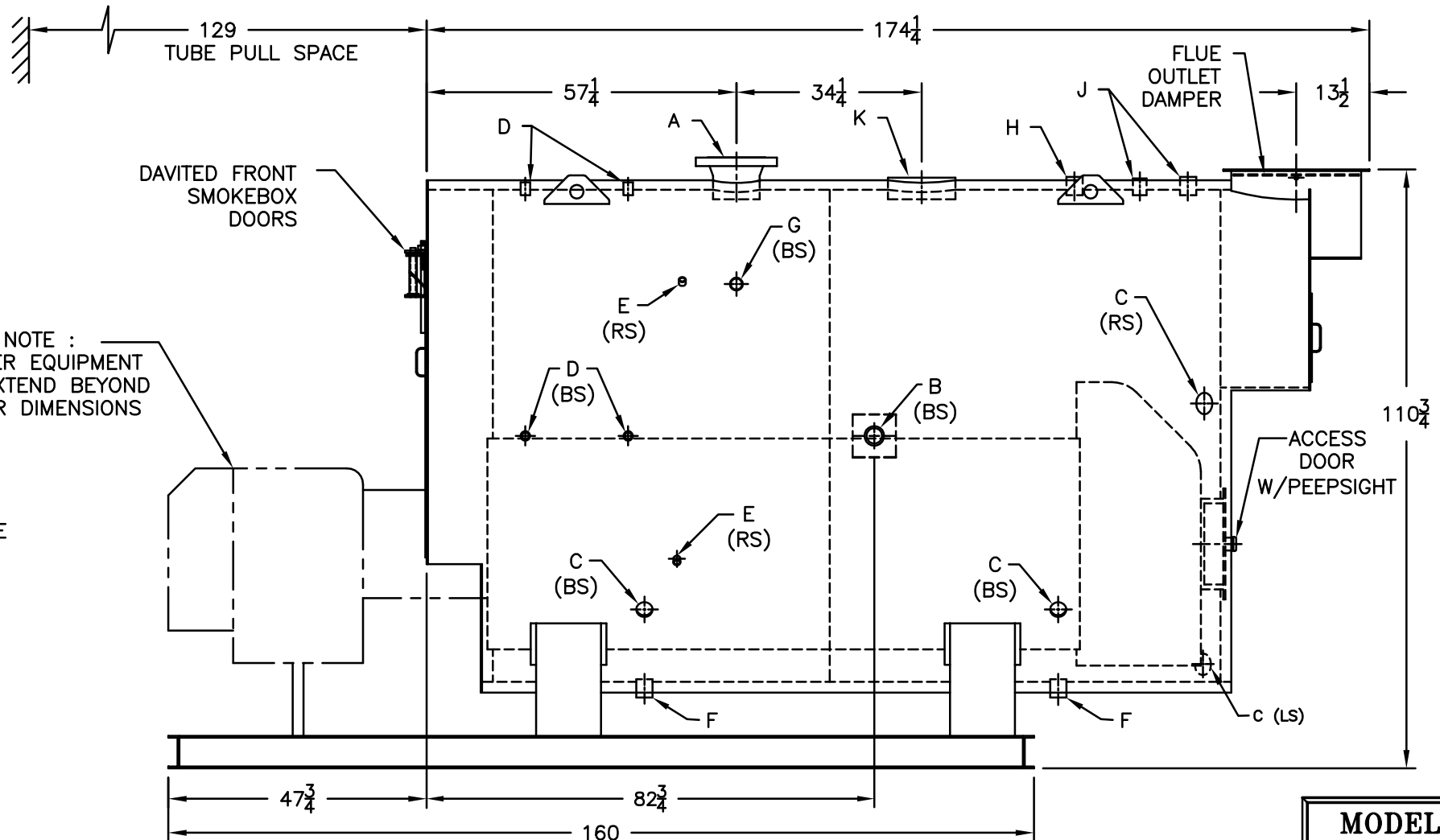
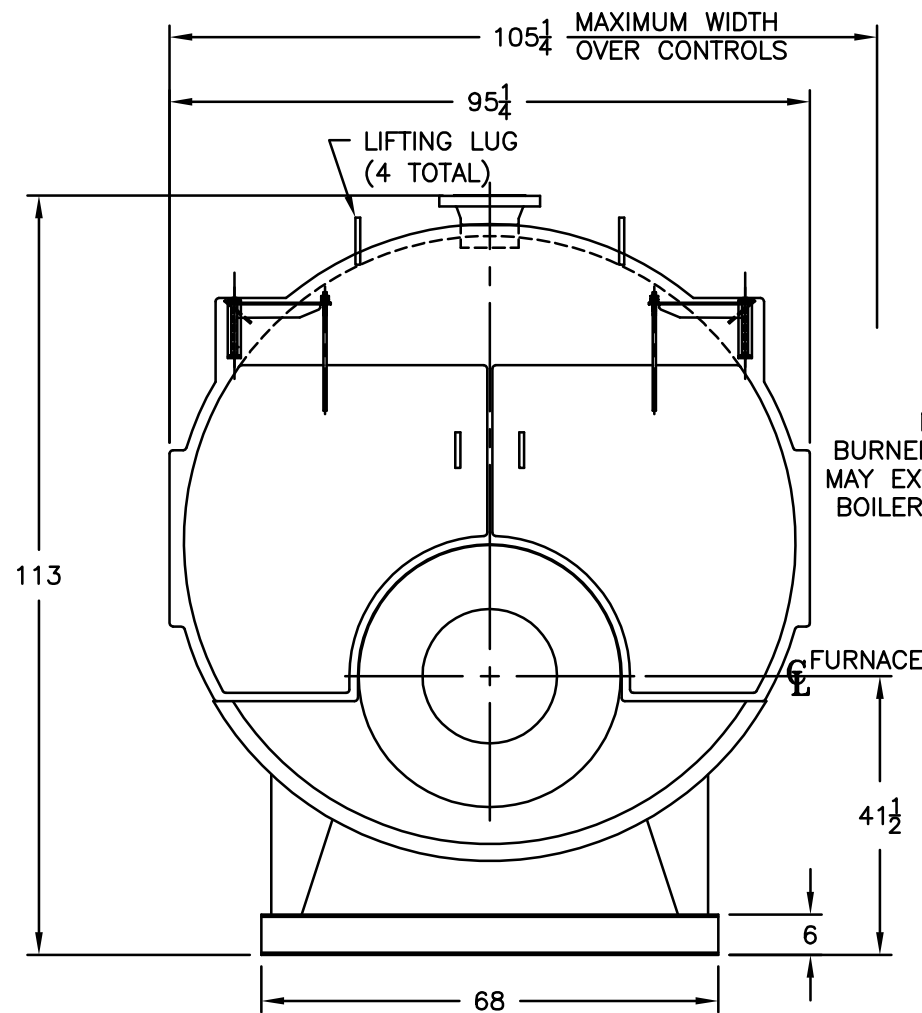
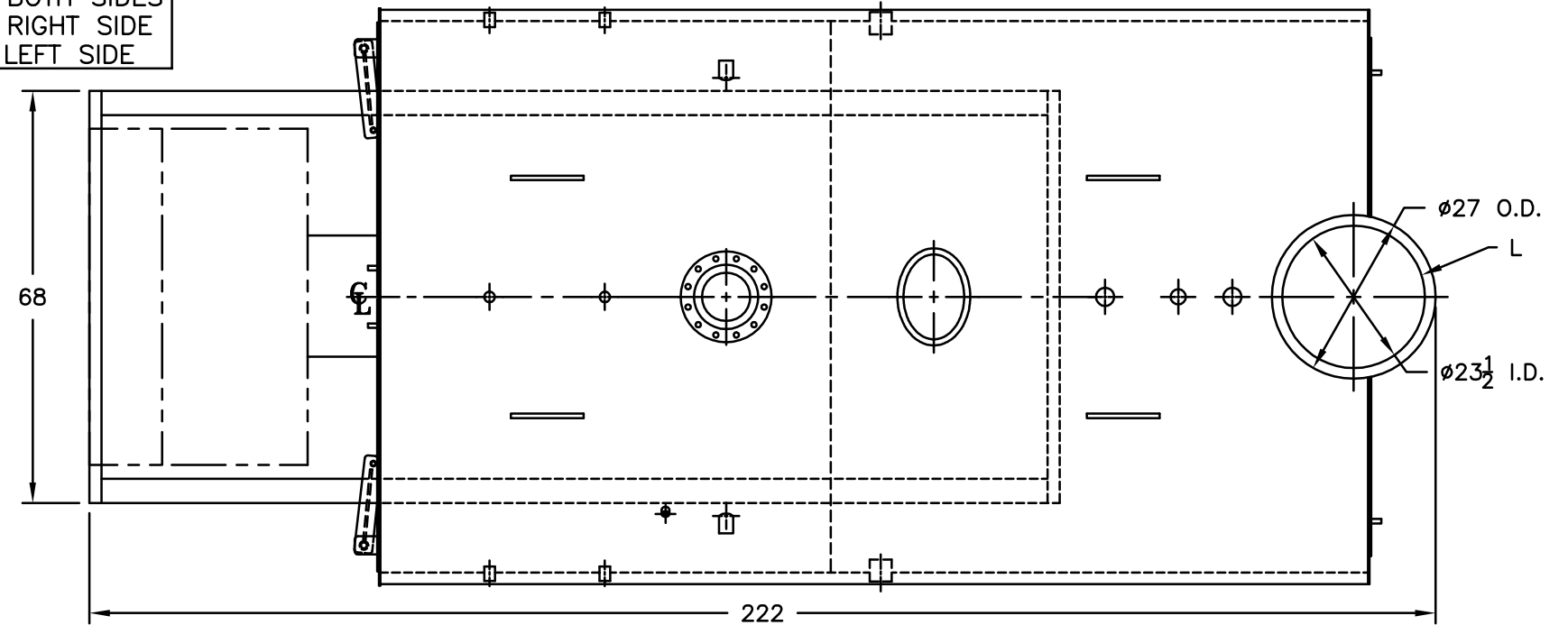
Heating Surface - Sq. Ft.  
 Fireside - 1750  
 Firetubes  
 Number - 268  
 Diameter - 2.5" O.D.

Firing Rate  
 1000 BTU Gas (MBH) - 14645  
 140000 BTU/Gal Oil (GPH) - 100.1  
 150000 BTU/Gal Oil (GPH) - 93.4

Water Content  
 Pounds - 14457  
 Gallons (U.S.) - 1735  
 Approximate Weight/LBS.  
 Dry - 23700  
 Wet - 38157

### LEGEND

- BS = BOTH SIDES
- RS = RIGHT SIDE
- LS = LEFT SIDE



**MODEL 3P-350**  
**350 BHP**  
**150 PSI STEAM**

SPECIFICATIONS SUBJECT TO CHANGE WITHOUT NOTICE ALL CONNECTIONS ARE THREADED UNLESS OTHERWISE SPECIFIED  
 THIS DOCUMENT CONTAINS CONFIDENTIAL INFORMATION WHICH IS THE PROPERTY OF BURNHAM COMMERCIAL. THIS DOCUMENT MAY NOT BE REPRODUCED, TRANSFERRED OR USED, OR ITS CONTENTS DISCLOSED, WITHOUT THE WRITTEN PERMISSION OF THE OWNER.