

# BURNHAM®

## Commercial Boilers

### RATINGS AND DATA

Shell Diameter : 90"  
 Gross Output - BHP : 400  
 Gross Output - MBH : 13390  
 Gross Output - Lbs/Hr : 13800  
 Net Rating - MBH : 10396  
 Net Rating - Sq. Ft. : 43317  
 Safety Valve - Lbs/Hr. : 15621

Heating Surface - Sq. Ft.  
 Fireside - 2000  
 Firetubes  
 Number - 268  
 Diameter - 2.5" O.D.

Firing Rate  
 1000 BTU Gas (MBH) - 16738  
 140000 BTU/Gal Oil (GPH) - 114.8  
 150000 BTU/Gal Oil (GPH) - 107.1

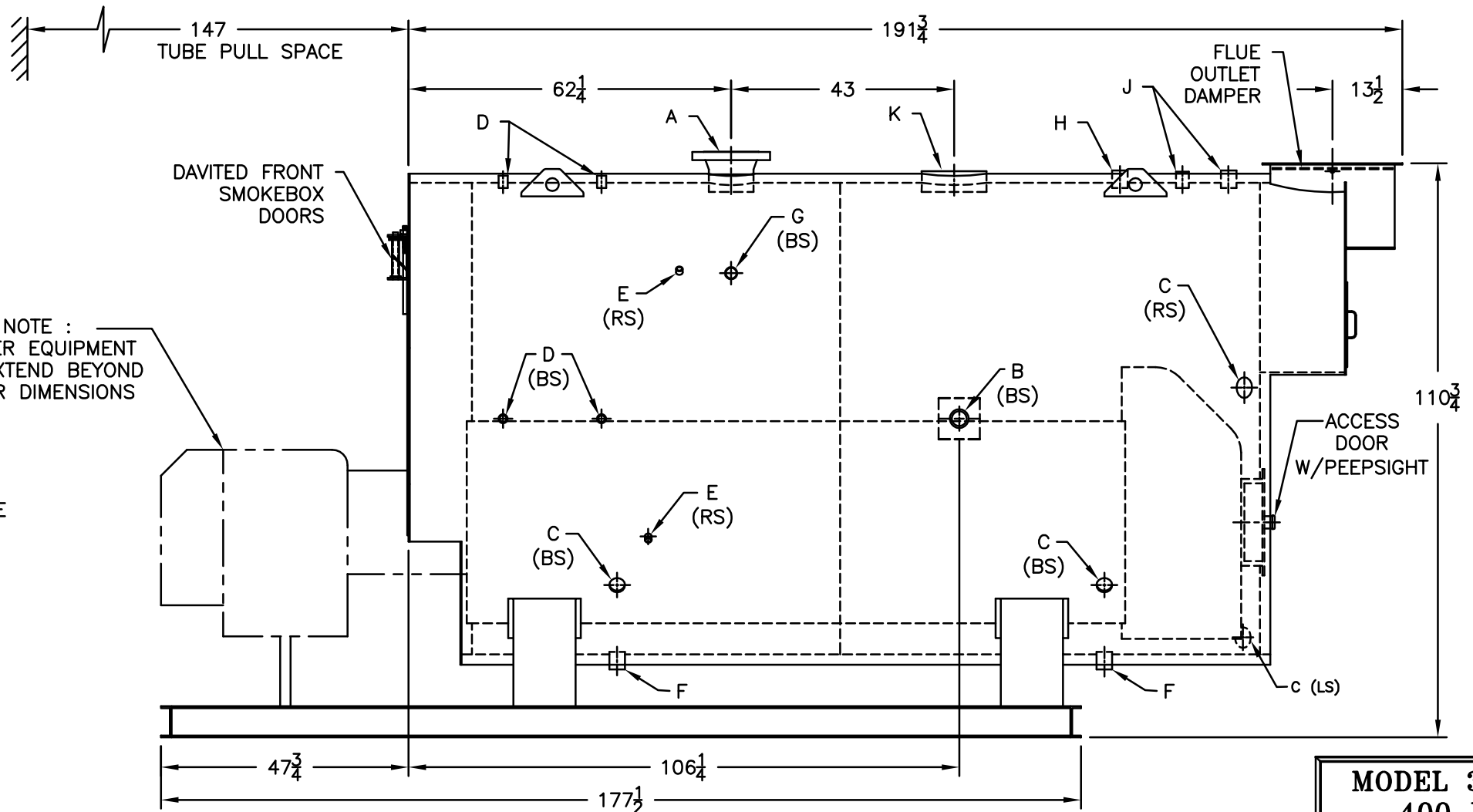
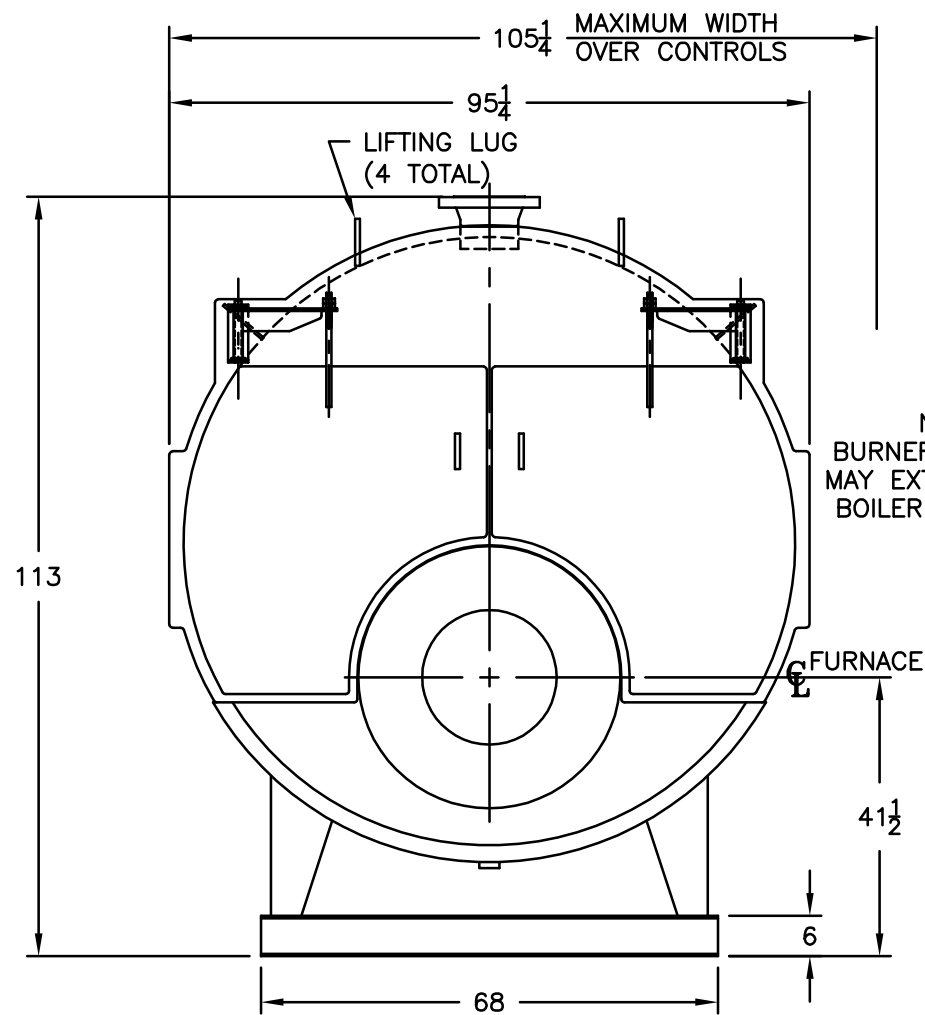
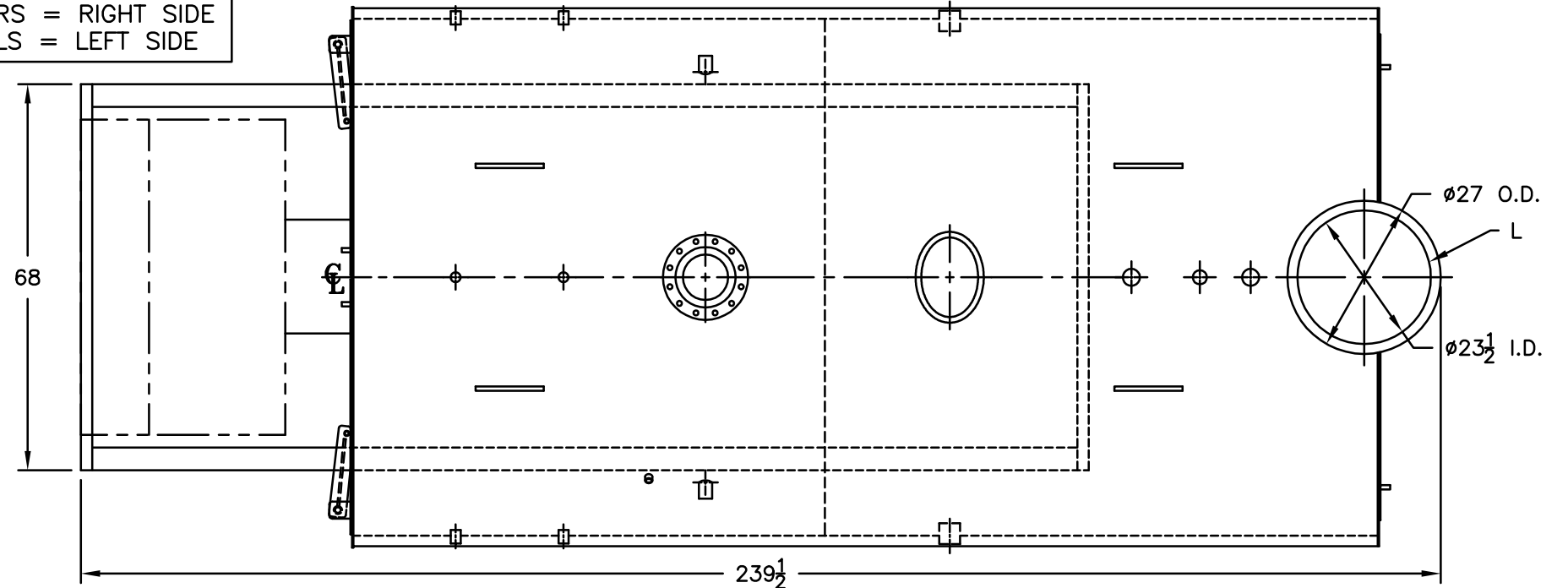
Water Content  
 Pounds - 16453  
 Gallons (U.S.) - 1975  
 Approximate Weight/LBS.  
 Dry - 25696  
 Wet - 42149

### LEGEND

BS = BOTH SIDES  
 RS = RIGHT SIDE  
 LS = LEFT SIDE

### LEGEND CONNECTIONS

- A = 8" FLANGED SUPPLY (300#)
- B = 2-1/2" RETURN
- C = 3" x 4" HANDHOLE
- D = 1" WATER COLUMN
- E = 3/4" AQUASTAT
- F = 2" BOTTOM BLOWDOWN
- G = 2" SURFACE BLOWOFF
- H = 2" AUXILIARY CONNECTION
- J = 2" SAFETY VALVE
- 1-1/2" SAFETY VALVE
- K = 12" x 16" MANHOLE
- L = 24" NOMINAL FLUE DIAMETER



**MODEL 3P-400**  
**400 BHP**  
**150 PSI STEAM**

SPECIFICATIONS SUBJECT TO CHANGE WITHOUT NOTICE ALL CONNECTIONS ARE THREADED UNLESS OTHERWISE SPECIFIED  
 THIS DOCUMENT CONTAINS CONFIDENTIAL INFORMATION WHICH IS THE PROPERTY OF BURNHAM COMMERCIAL. THIS DOCUMENT MAY NOT BE REPRODUCED, TRANSFERRED OR USED, OR ITS CONTENTS DISCLOSED, WITHOUT THE WRITTEN PERMISSION OF THE OWNER.