

BURNHAM®

Commercial Boilers

RATINGS AND DATA

Shell Diameter : 102"
 Gross Output - BHP : 600
 Gross Output - MBH : 20085
 Gross Output - Lbs/Hr : 20700
 Net Rating - MBH : 15594
 Net Rating - Sq. Ft. : 64975
 Safety Valve - Lbs/Hr. : 24000

Heating Surface - Sq. Ft.
 Fireside - 3000
 Firetubes
 Number - 362
 Diameter - 2.5" O.D.

Firing Rate
 1000 BTU Gas (MBH) - 25106
 140000 BTU/Gal Oil (GPH) - 172.6
 150000 BTU/Gal Oil (GPH) - 161.1

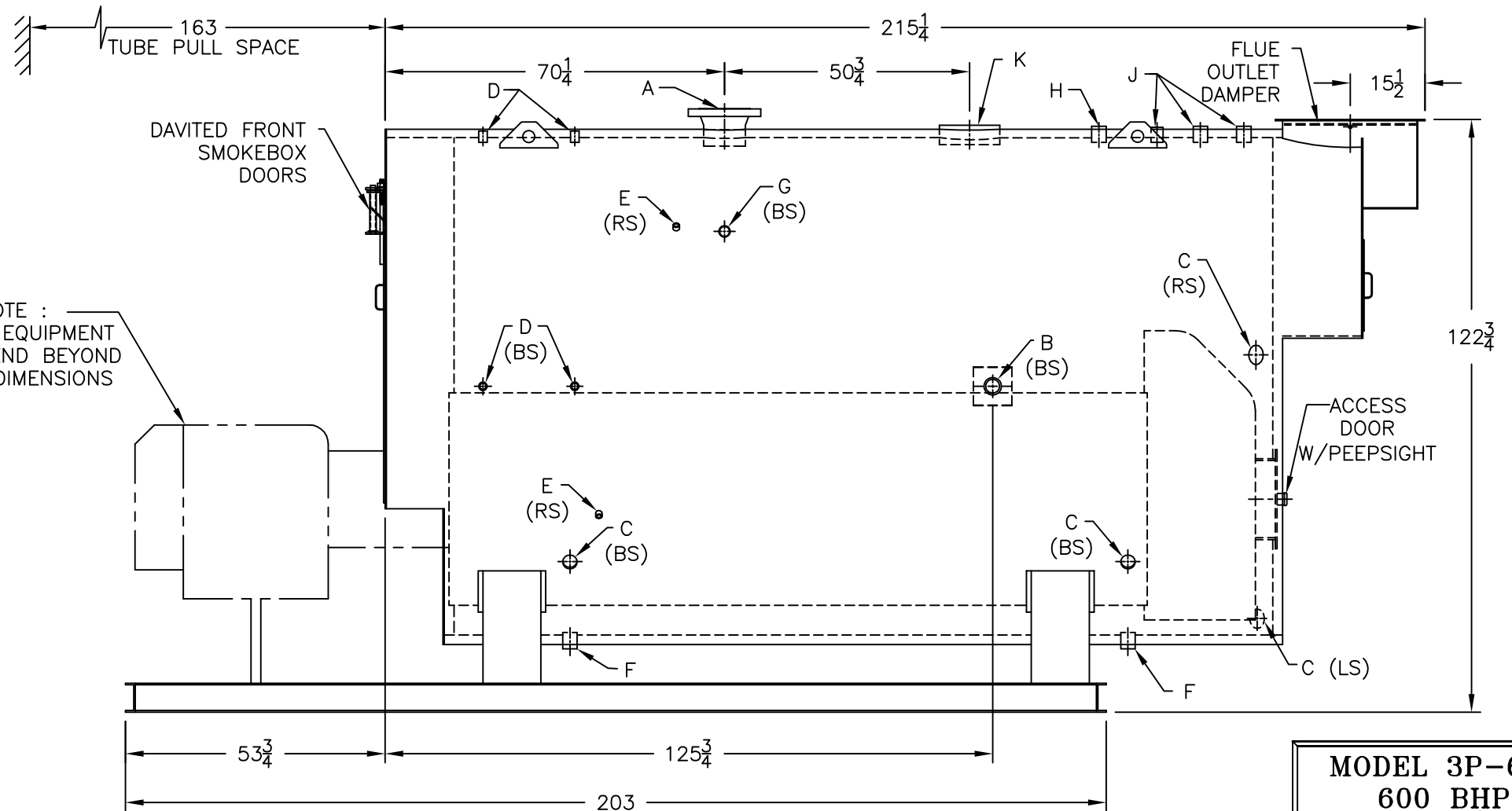
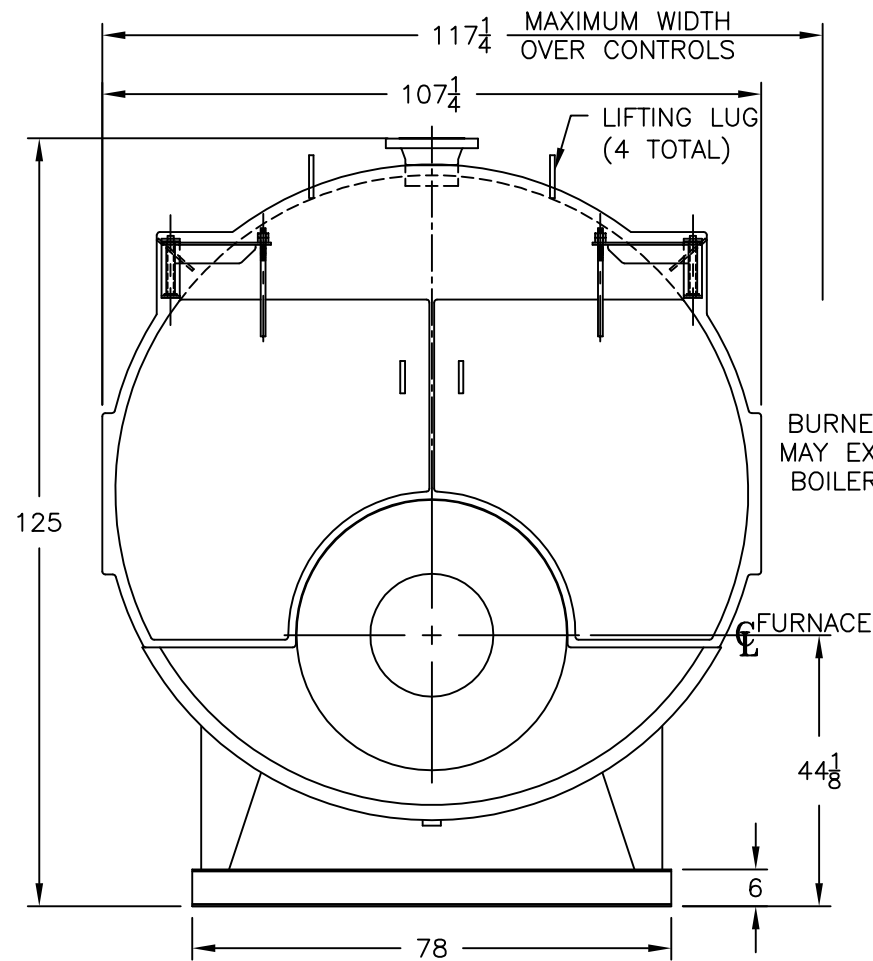
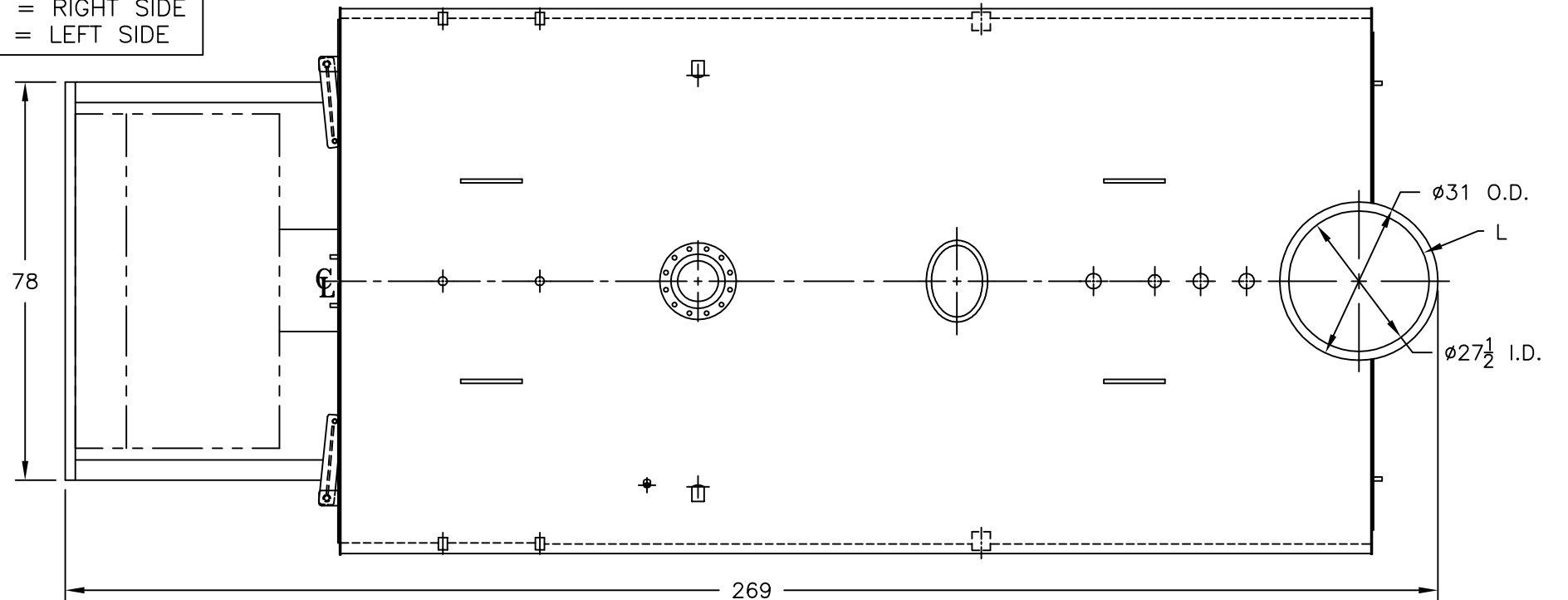
Water Content
 Pounds - 24047
 Gallons (U.S.) - 2887
 Approximate Weight/LBS.
 Dry - 35422
 Wet - 59469

LEGEND

BS = BOTH SIDES
 RS = RIGHT SIDE
 LS = LEFT SIDE

LEGEND CONNECTIONS

- A = 8" FLANGED SUPPLY (300#)
- B = 2-1/2" RETURN
- C = 3" x 4" HANDHOLE
- D = 1" WATER COLUMN
- E = 3/4" AQUASTAT
- F = 2" BOTTOM BLOWDOWN
- G = 2" SURFACE BLOWOFF
- H = 2" AUXILIARY CONNECTION
- J = 2" SAFETY VALVE (2)
- 1-1/2" SAFETY VALVE (1)
- K = 12" x 16" MANHOLE
- L = 28" NOMINAL FLUE DIAMETER



NOTE :
 BURNER EQUIPMENT
 MAY EXTEND BEYOND
 BOILER DIMENSIONS

MODEL 3P-600
600 BHP
150 PSI STEAM