

# BURNHAM®

## Commercial Boilers

### LEGEND CONNECTIONS

- A = 3" SUPPLY
- B = 1-1/4" RETURN
- C = 3" x 4" HANDHOLE
- D = 1" WATER COLUMN
- E = 3/4" AQUASTAT
- F = 1-1/2" BOTTOM BLOWDOWN
- G = 1-1/2" SURFACE BLOWOFF
- H = 2" AUXILIARY CONNECTION
- J = 2" SAFETY VALVE
- K = 12" X 16" MANHOLE
- L = 12" NOMINAL FLUE DIAMETER

### RATINGS AND DATA

Shell Diameter : 54"  
 Gross Output - BHP : 90  
 Gross Output - MBH : 3013  
 Gross Output - Lbs/Hr : 3105  
 Net Rating - MBH : 2339  
 Net Rating - Sq. Ft. : 9746  
 Safety Valve - Lbs/Hr. : 3515

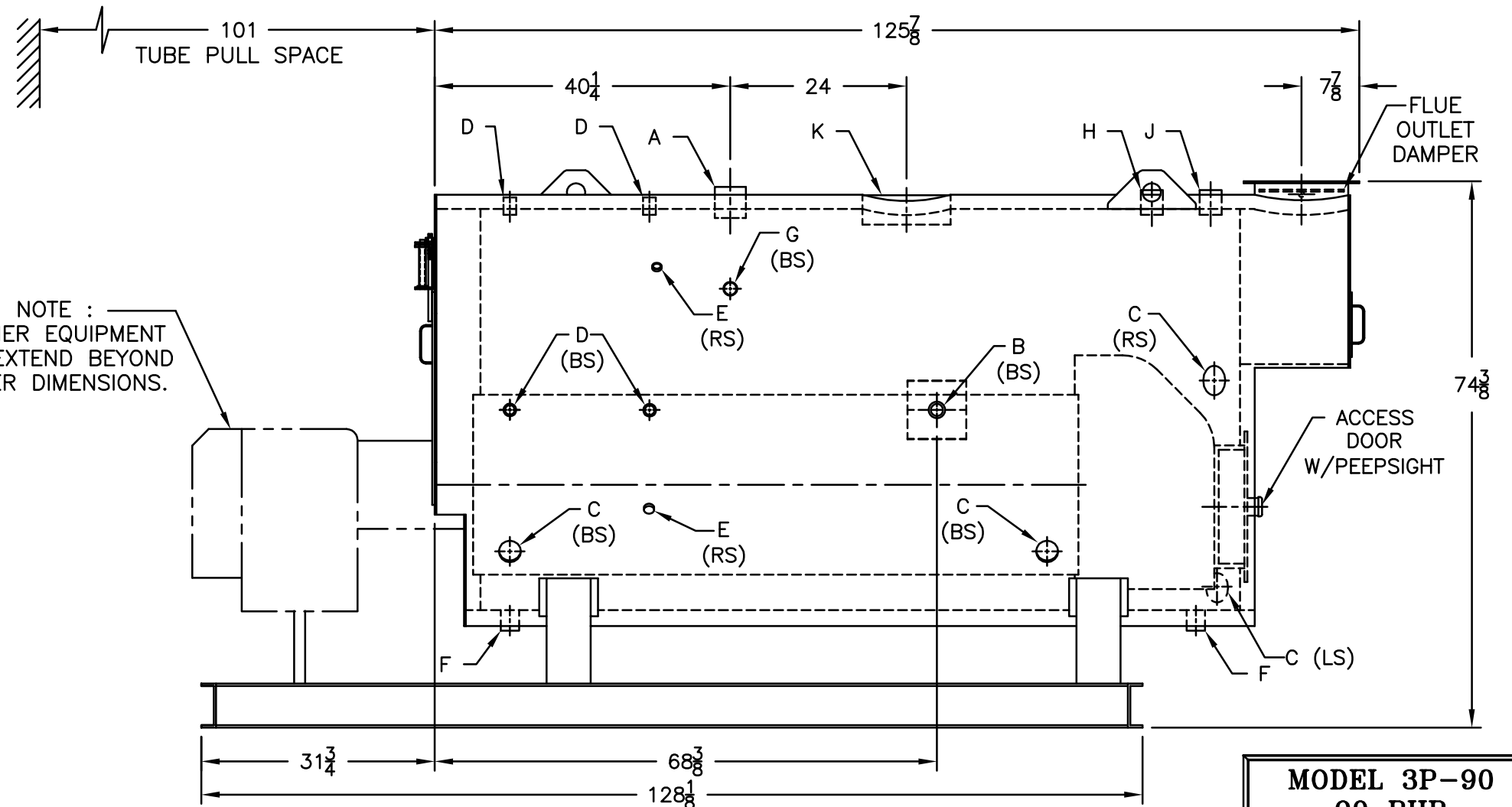
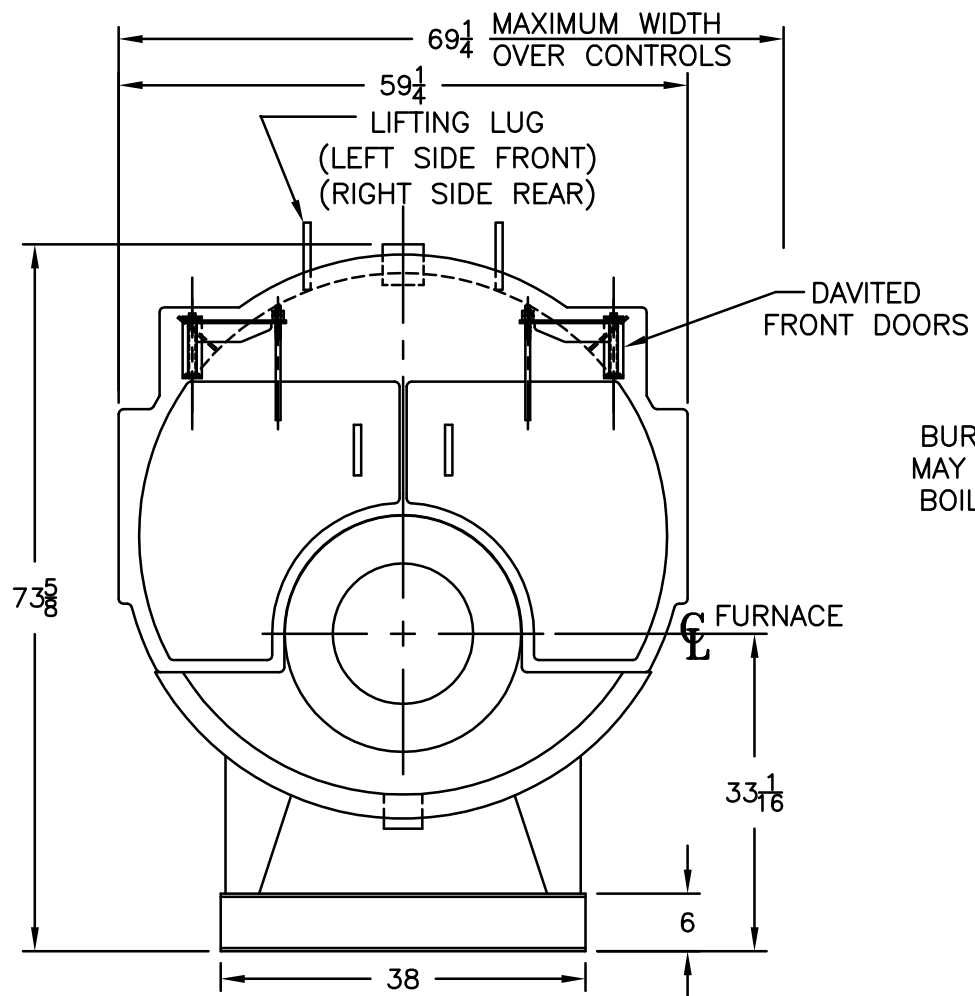
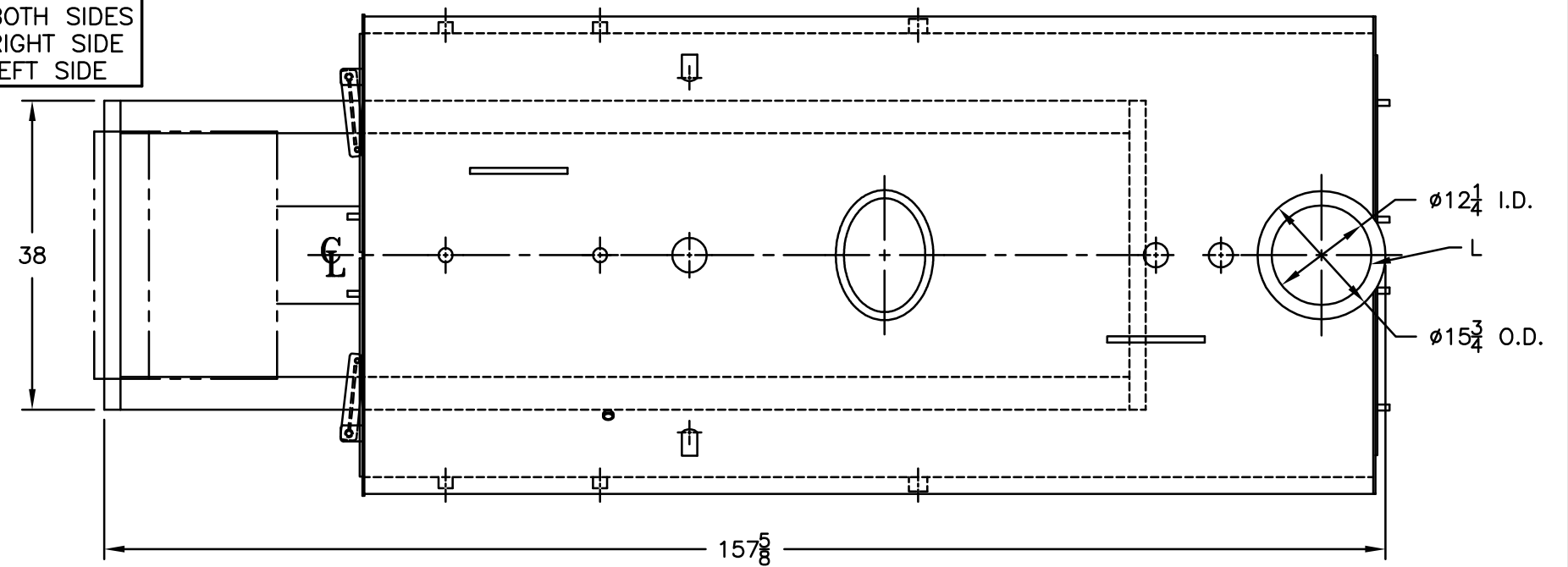
Heating Surface - Sq. Ft.  
 Fireside - 450  
 Firetubes  
 Number - 106  
 Diameter - 2" O.D.

Firing Rate  
 1000 BTU Gas (MBH) - 3766  
 140000 BTU/Gal Oil (GPH) - 25.9  
 150000 BTU/Gal Oil (GPH) - 24.2

Water Content  
 Pounds - 4637  
 Gallons (U.S.) - 557  
 Approximate Weight/LBS.  
 Dry - 7200  
 Wet - 11837

### LEGEND

- BS = BOTH SIDES
- RS = RIGHT SIDE
- LS = LEFT SIDE



NOTE :  
 BURNER EQUIPMENT  
 MAY EXTEND BEYOND  
 BOILER DIMENSIONS.

**MODEL 3P-90**  
**90 BHP**  
**150 PSI STEAM**

SPECIFICATIONS SUBJECT TO CHANGE WITHOUT NOTICE ALL CONNECTIONS ARE THREADED UNLESS OTHERWISE SPECIFIED  
 THIS DOCUMENT CONTAINS CONFIDENTIAL INFORMATION WHICH IS THE PROPERTY OF BURNHAM COMMERCIAL. THIS DOCUMENT MAY NOT BE REPRODUCED, TRANSFERRED OR USED, OR ITS CONTENTS DISCLOSED, WITHOUT THE WRITTEN PERMISSION OF THE OWNER.