

BURNHAM®

Commercial Boilers

RATINGS AND DATA

Shell Diameter : 66"
 Gross Output - BHP : 200
 Gross Output - MBH : 6695
 Gross Output - Lbs/Hr : 6900
 Net Rating - MBH : 5198
 Net Rating - Sq. Ft. : 21658
 Safety Valve - Lbs/Hr. : 7810

LEGEND CONNECTIONS

- A = 6" FLANGED SUPPLY (300#)
- B = 1-1/2" RETURN
- C = 3" x 4" HANDHOLE
- D = 1" WATER COLUMN
- E = 3/4" AQUASTAT
- F = 2" BOTTOM BLOWDOWN
- G = 2" SURFACE BLOWOFF
- H = 2" AUXILIARY CONNECTION
- J = 2" SAFETY VALVE (2)
- K = 12" x 16" MANHOLE
- L = 16" NOMINAL FLUE DIAMETER

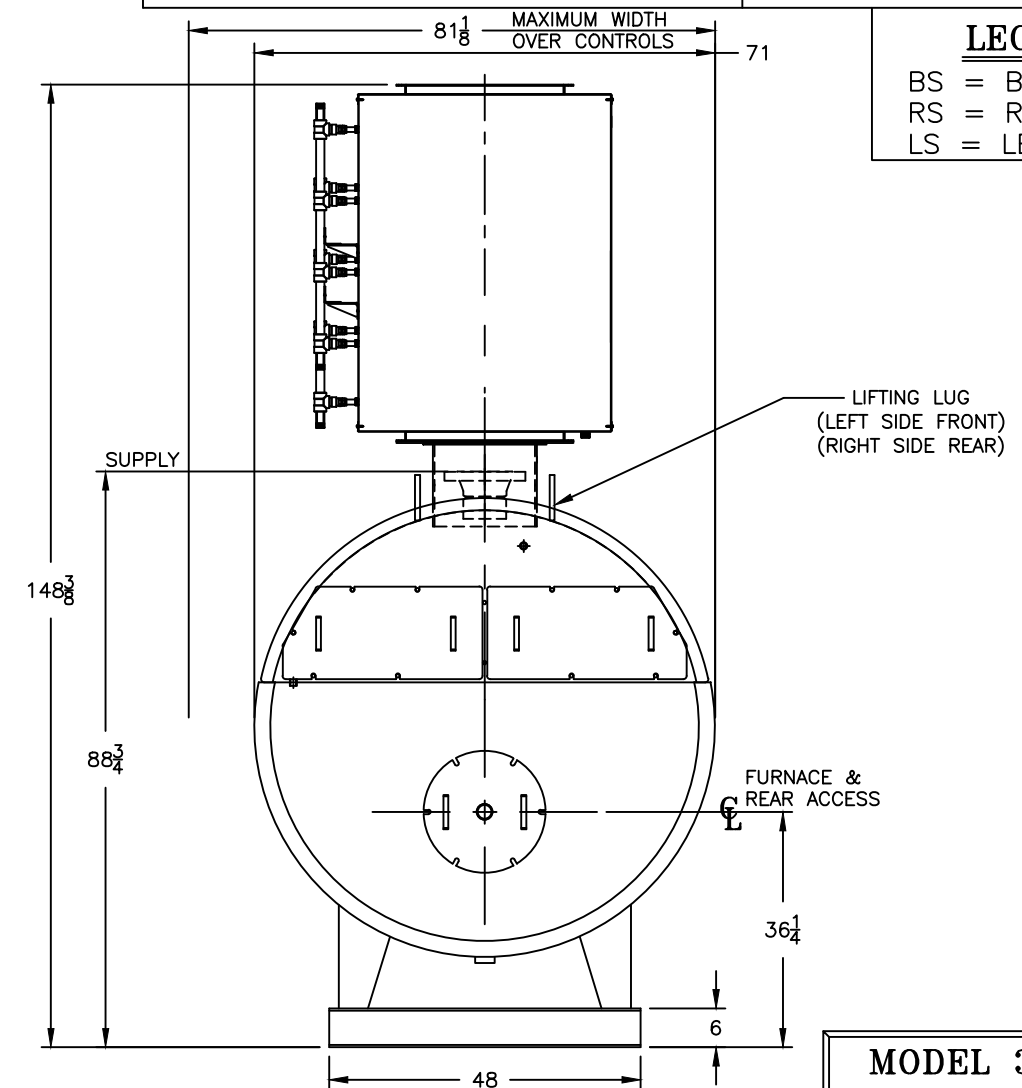
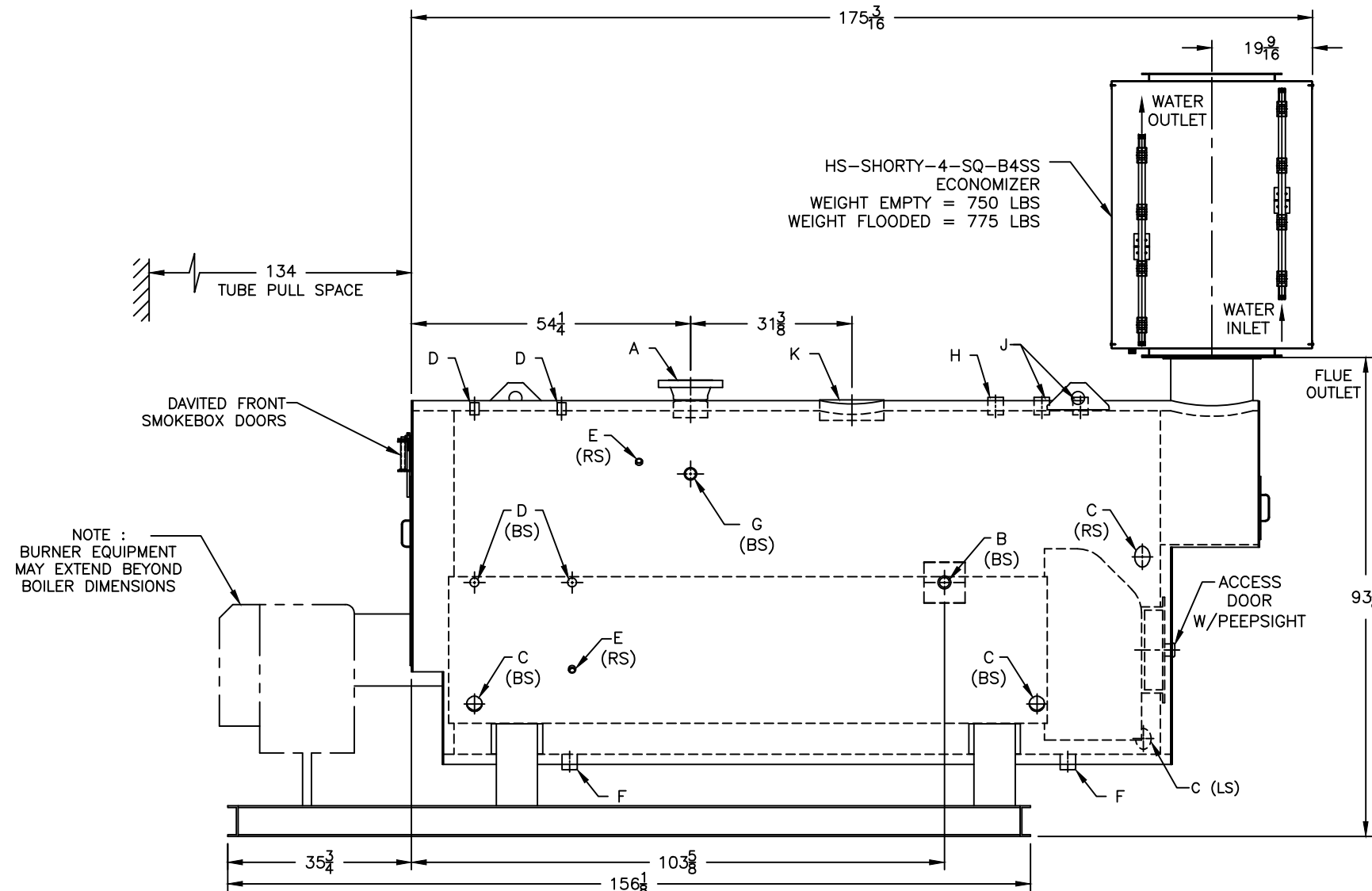
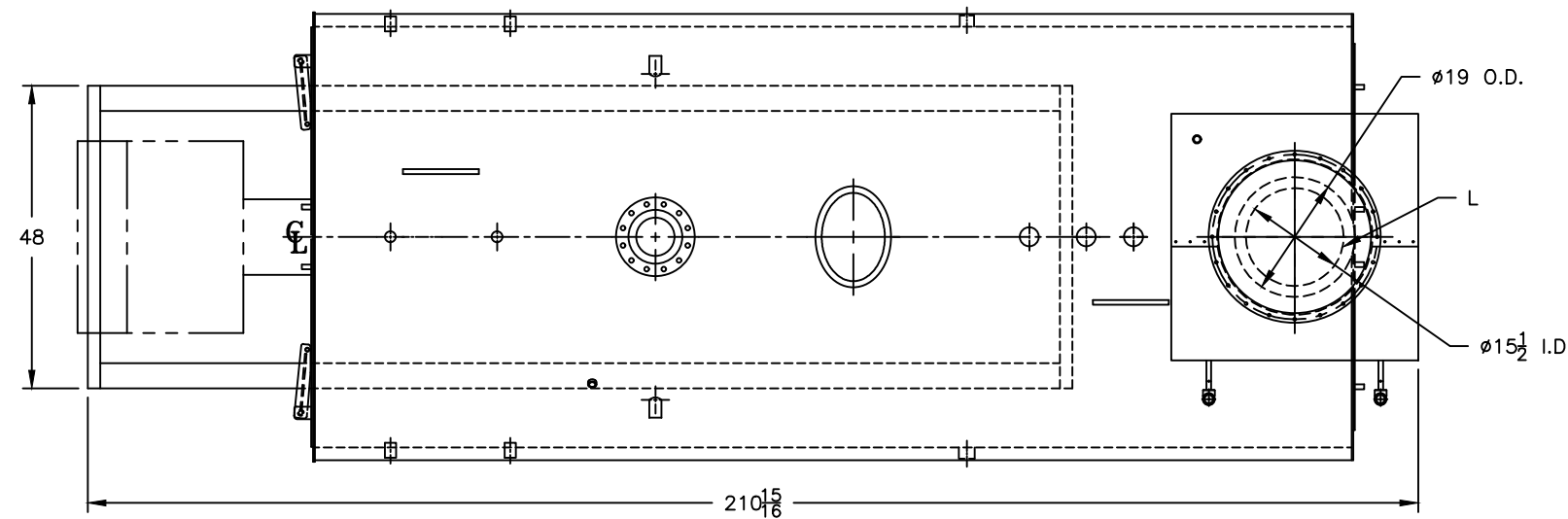
Heating Surface - Sq. Ft.
 Fireside - 1000
 Firetubes
 Number - 182
 Diameter - 2" O.D.

Firing Rate
 1000 BTU Gas (MBH) - 8369
 140000 BTU/Gal Oil (GPH) - 57.6
 150000 BTU/Gal Oil (GPH) - 53.8

Water Content
 Pounds - 9225
 Gallons (U.S.) - 1108
 Approximate Weight/LBS.
 (Includes Economizer)
 Dry - 14285
 Wet - 23510

LEGEND

- BS = BOTH SIDES
- RS = RIGHT SIDE
- LS = LEFT SIDE



MODEL 3P-200
200 BHP
150 PSI STEAM

SPECIFICATIONS SUBJECT TO CHANGE WITHOUT NOTICE ALL CONNECTIONS ARE THREADED UNLESS OTHERWISE SPECIFIED
 THIS DOCUMENT CONTAINS CONFIDENTIAL INFORMATION WHICH IS THE PROPERTY OF BURNHAM COMMERCIAL. THIS DOCUMENT MAY NOT BE REPRODUCED, TRANSFERRED OR USED, OR ITS CONTENTS DISCLOSED, WITHOUT THE WRITTEN PERMISSION OF THE OWNER.