

**LEGEND**

BS = BOTH SIDES  
RS = RIGHT SIDE  
LS = LEFT SIDE

**BURNHAM®**  
**Commercial Boilers**

**RATINGS AND DATA**

Shell Diameter : 78"  
Gross Output - BHP : 250  
Gross Output - MBH : 8369  
Gross Output - Lbs/Hr : 8625  
Net Rating - MBH : 6498  
Net Rating - Sq. Ft. : 27075  
Safety Valve - Lbs/Hr. : 9763

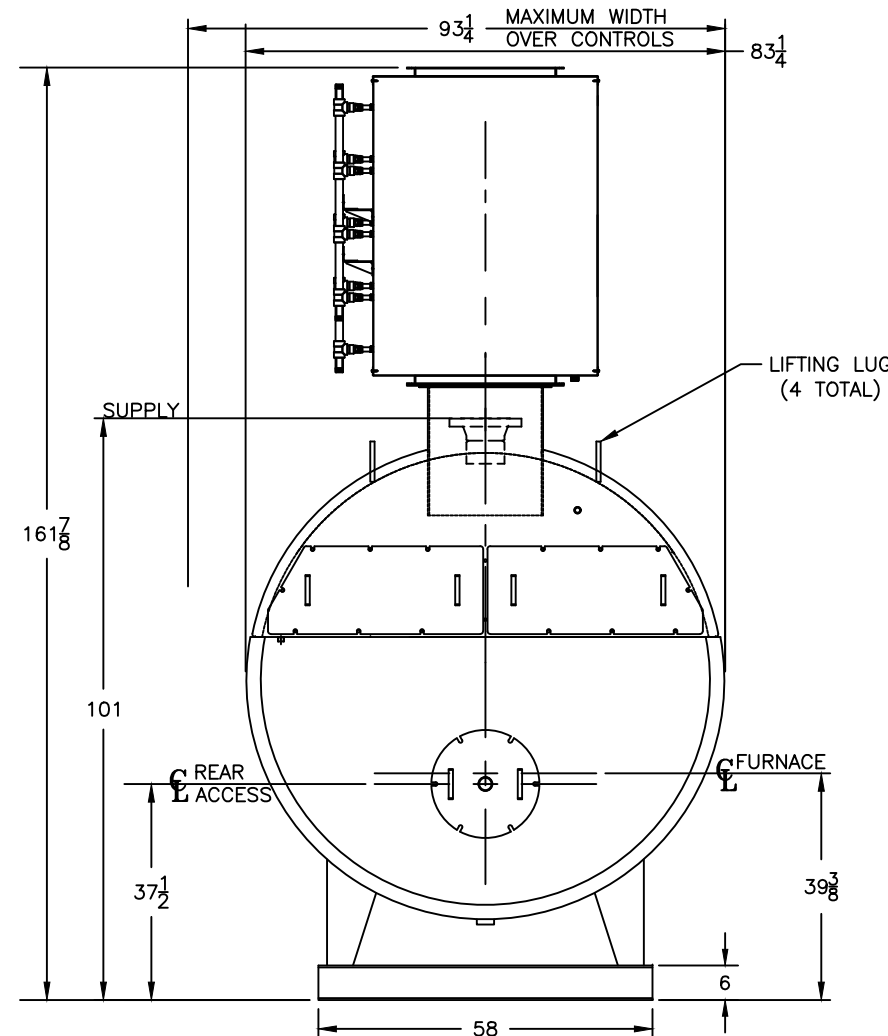
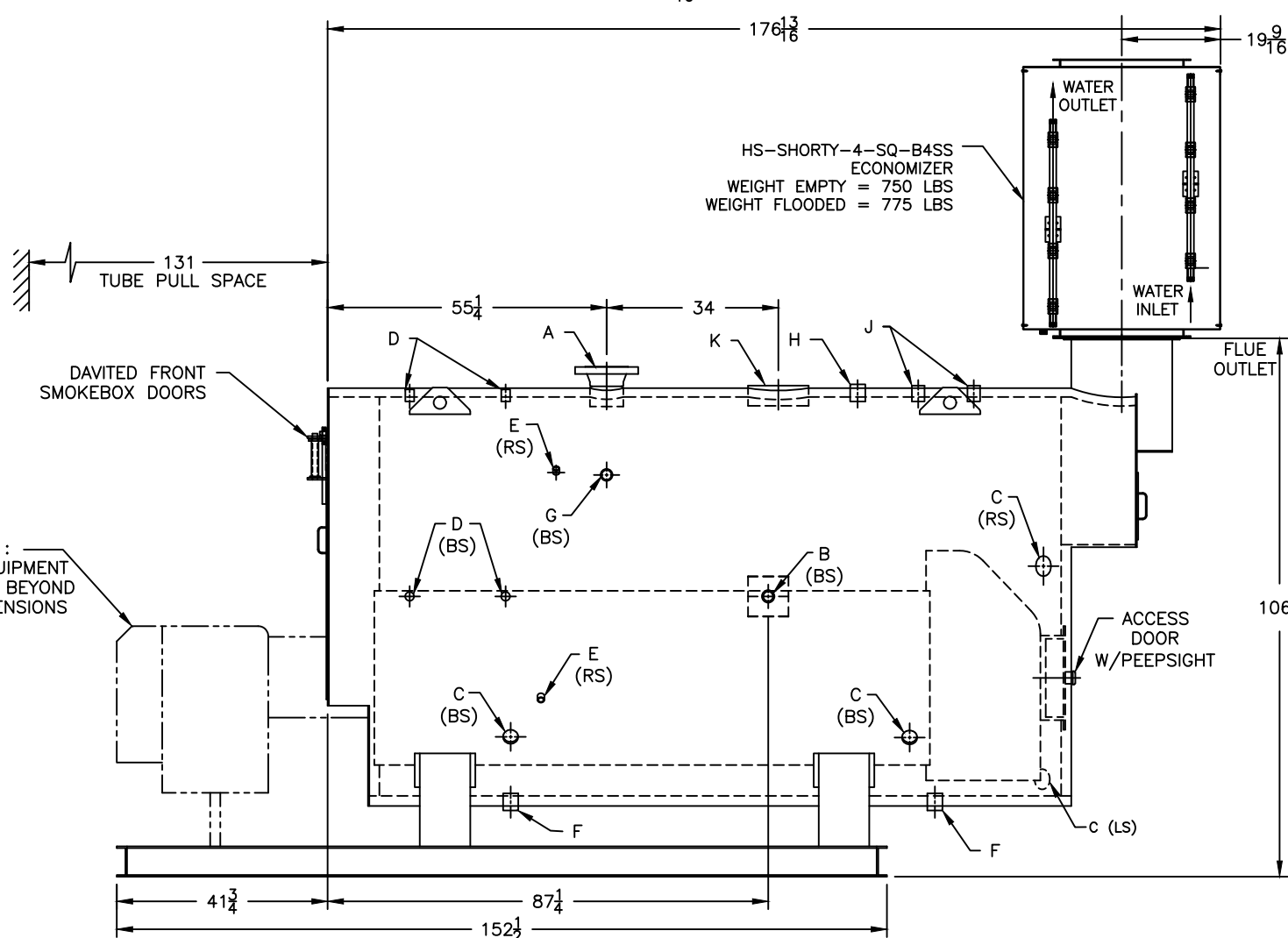
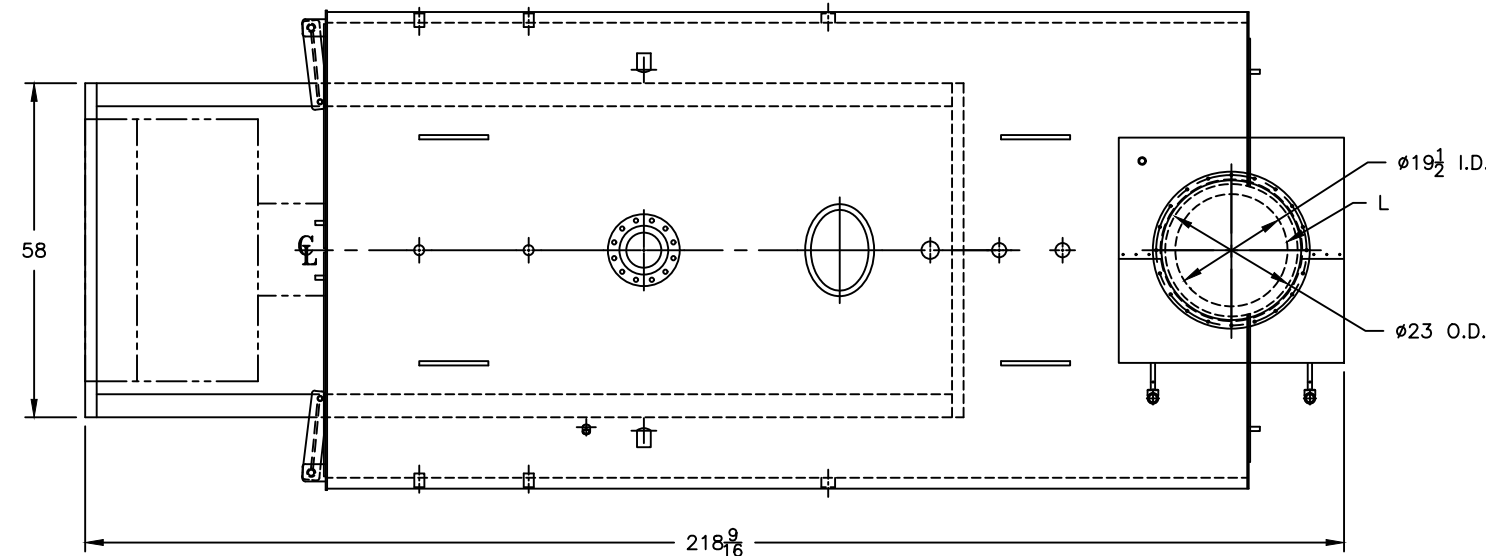
**LEGEND CONNECTIONS**

- A = 6" FLANGED SUPPLY (300#)
- B = 2" RETURN
- C = 3" x 4" HANDHOLE
- D = 1" WATER COLUMN
- E = 3/4" AQUASTAT
- F = 2" BOTTOM BLOWDOWN
- G = 2" SURFACE BLOWOFF
- H = 2" AUXILIARY CONNECTION
- J = 1-1/2" SAFETY VALVE (2)
- K = 12" x 16" MANHOLE
- L = 20" NOMINAL FLUE DIAMETER

Heating Surface - Sq. Ft.  
Fireside - 1250  
Firetubes  
Number - 186  
Diameter - 2.5" O.D.

Firing Rate  
1000 BTU Gas (MBH) - 10461  
140000 BTU/Gal Oil (GPH) - 71.7  
150000 BTU/Gal Oil (GPH) - 66.9

Water Content  
Pounds - 11138  
Gallons (U.S.) - 1338  
Approximate Weight/LBS.  
(Includes Economizer)  
Dry - 19585  
Wet - 30723



NOTE :  
BURNER EQUIPMENT  
MAY EXTEND BEYOND  
BOILER DIMENSIONS

**MODEL 3P-250**  
**250 BHP**  
**150 PSI STEAM**

SPECIFICATIONS SUBJECT TO CHANGE WITHOUT NOTICE ALL CONNECTIONS ARE THREADED UNLESS OTHERWISE SPECIFIED  
THIS DOCUMENT CONTAINS CONFIDENTIAL INFORMATION WHICH IS THE PROPERTY OF BURNHAM COMMERCIAL. THIS DOCUMENT MAY NOT BE REPRODUCED, TRANSFERRED OR USED, OR ITS CONTENTS DISCLOSED, WITHOUT THE WRITTEN PERMISSION OF THE OWNER.