

LEGEND

BS = BOTH SIDES
RS = RIGHT SIDE
LS = LEFT SIDE

BURNHAM®
Commercial Boilers

RATINGS AND DATA

Shell Diameter : 78"
Gross Output - BHP : 300
Gross Output - MBH : 10043
Gross Output - Lbs/Hr : 10350
Net Rating - MBH : 7797
Net Rating - Sq. Ft. : 32488
Safety Valve - Lbs/Hr. : 11716

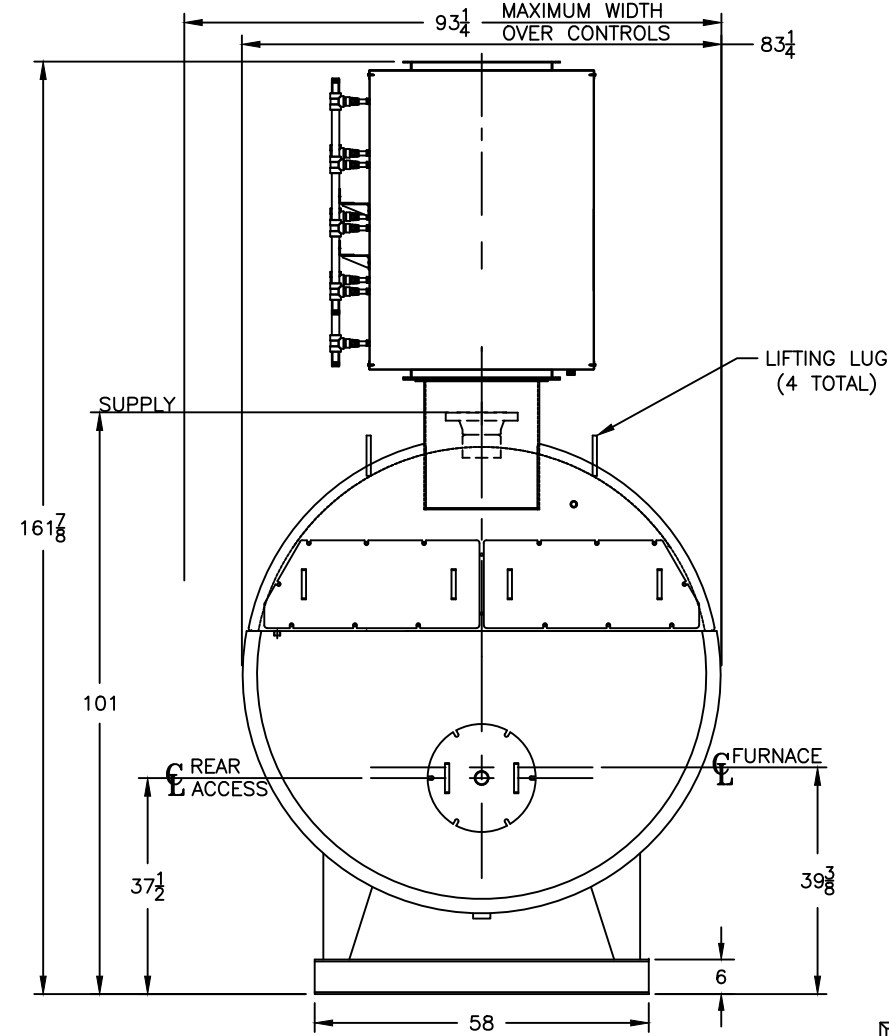
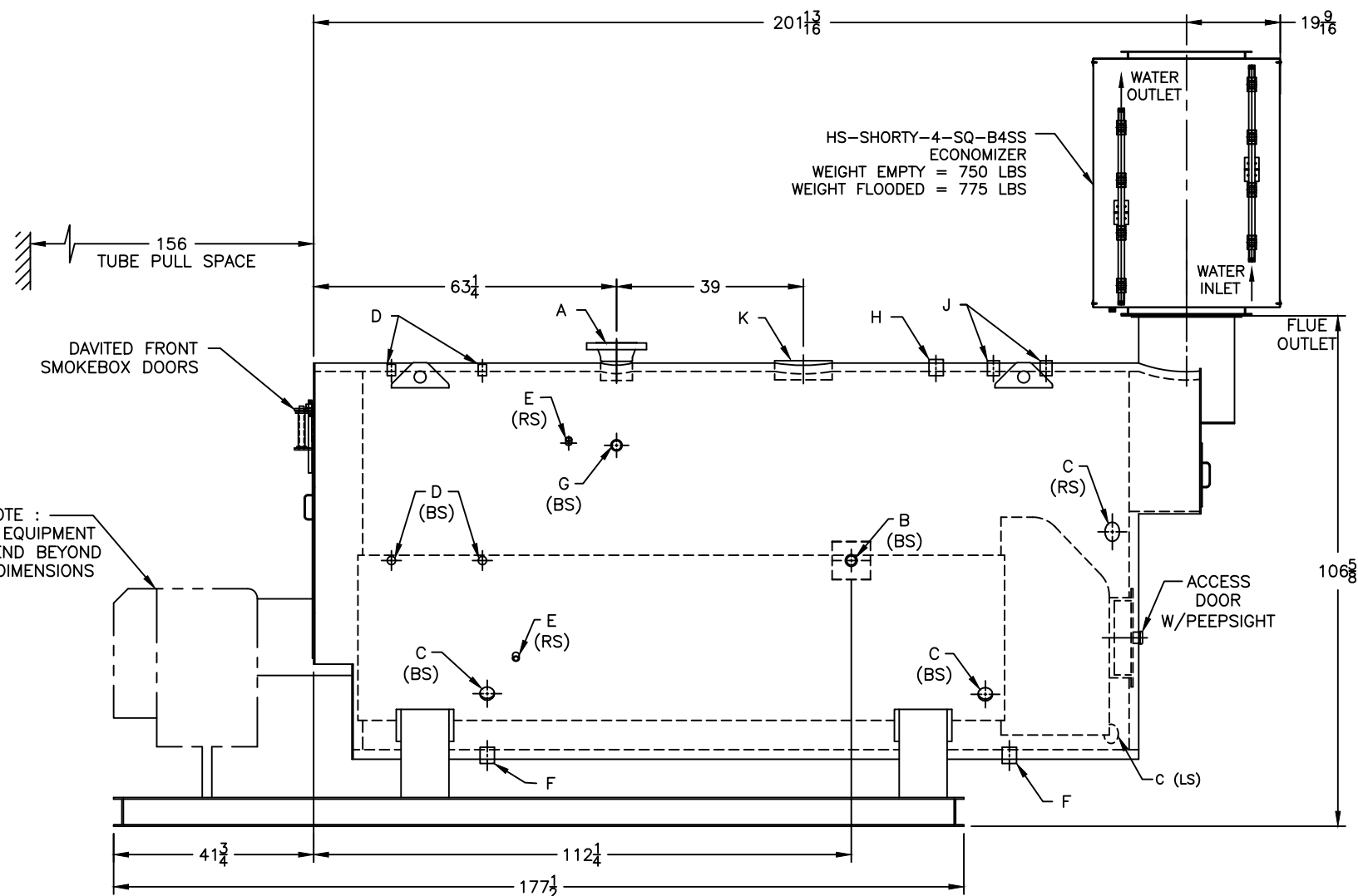
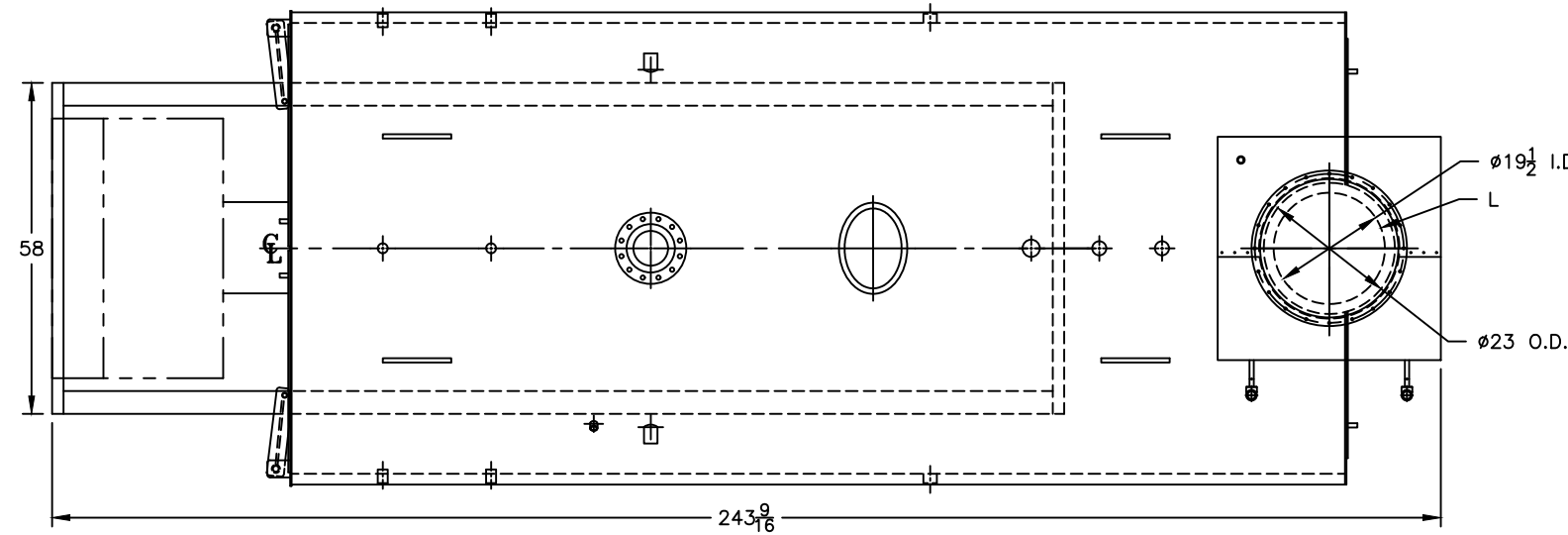
LEGEND CONNECTIONS

- A = 6" FLANGED SUPPLY (300#)
- B = 2" RETURN
- C = 3" x 4" HANDHOLE
- D = 1" WATER COLUMN
- E = 3/4" AQUASTAT
- F = 2" BOTTOM BLOWDOWN
- G = 2" SURFACE BLOWOFF
- H = 2" AUXILIARY CONNECTION
- J = 1-1/2" SAFETY VALVE (2)
- K = 12" x 16" MANHOLE
- L = 20" NOMINAL FLUE DIAMETER

Heating Surface - Sq. Ft.
Fireside - 1500
Firetubes
Number - 186
Diameter - 2.5" O.D.

Firing Rate
1000 BTU Gas (MBH) - 12553
140000 BTU/Gal Oil (GPH) - 86.3
150000 BTU/Gal Oil (GPH) - 80.5

Water Content
Pounds - 13315
Gallons (U.S.) - 1599
Approximate Weight/LBS.
(Includes Economizer)
Dry - 22385
Wet - 35700



NOTE :
BURNER EQUIPMENT
MAY EXTEND BEYOND
BOILER DIMENSIONS

MODEL 3P-300
300 BHP
150 PSI STEAM

SPECIFICATIONS SUBJECT TO CHANGE WITHOUT NOTICE ALL CONNECTIONS ARE THREADED UNLESS OTHERWISE SPECIFIED
THIS DOCUMENT CONTAINS CONFIDENTIAL INFORMATION WHICH IS THE PROPERTY OF BURNHAM COMMERCIAL. THIS DOCUMENT MAY NOT BE REPRODUCED, TRANSFERRED OR USED, OR ITS CONTENTS DISCLOSED, WITHOUT THE WRITTEN PERMISSION OF THE OWNER.