

LEGEND

BS = BOTH SIDES
RS = RIGHT SIDE
LS = LEFT SIDE

BURNHAM®
Commercial Boilers

LEGEND CONNECTIONS

- A = 8" FLANGED SUPPLY (300#)
- B = 2-1/2" RETURN
- C = 3" x 4" HANDHOLE
- D = 1" WATER COLUMN
- E = 3/4" AQUASTAT
- F = 2" BOTTOM BLOWDOWN
- G = 2" SURFACE BLOWOFF
- H = 2" AUXILIARY CONNECTION
- J = 2" SAFETY VALVE (2)
- K = 12" x 16" MANHOLE
- L = 28" NOMINAL FLUE DIAMETER

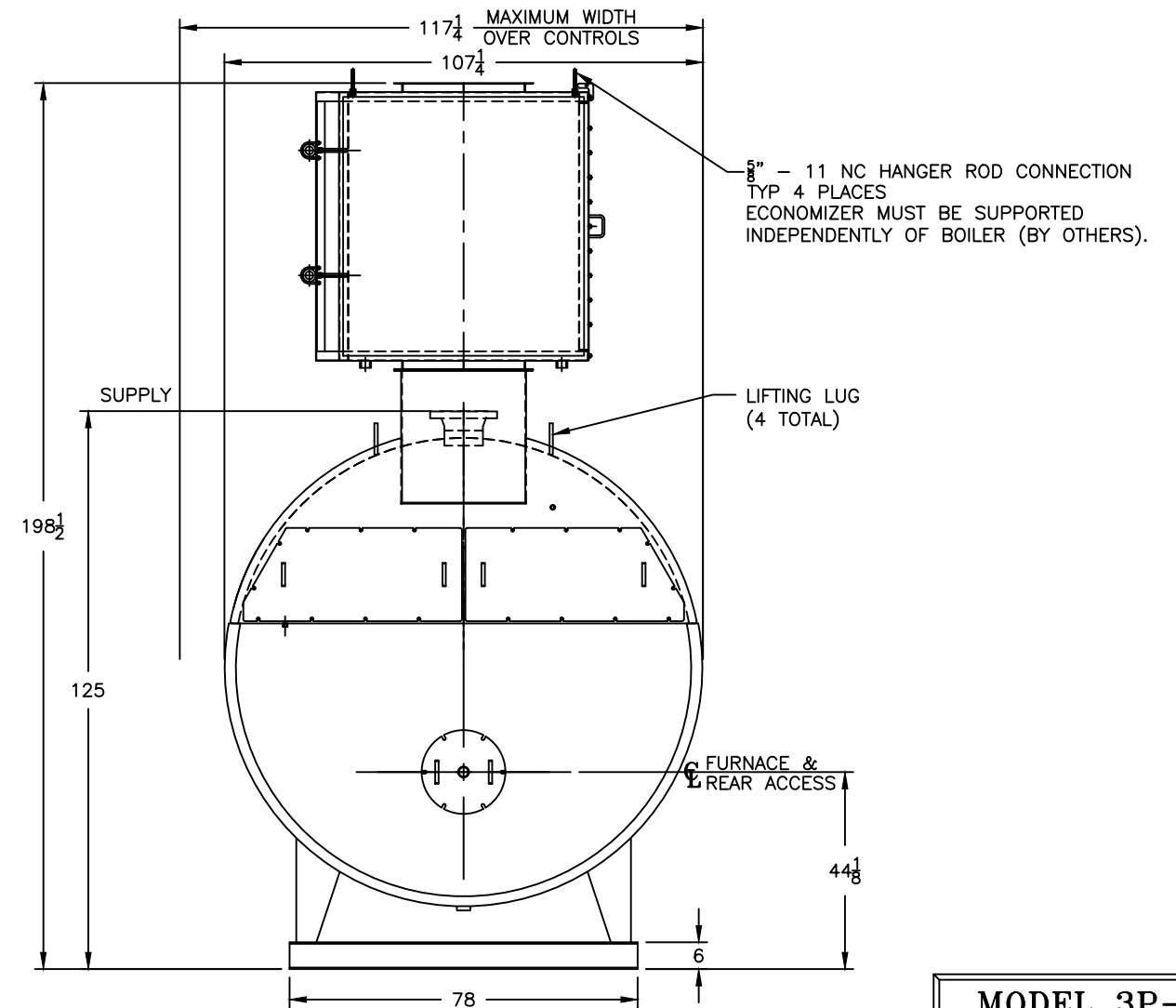
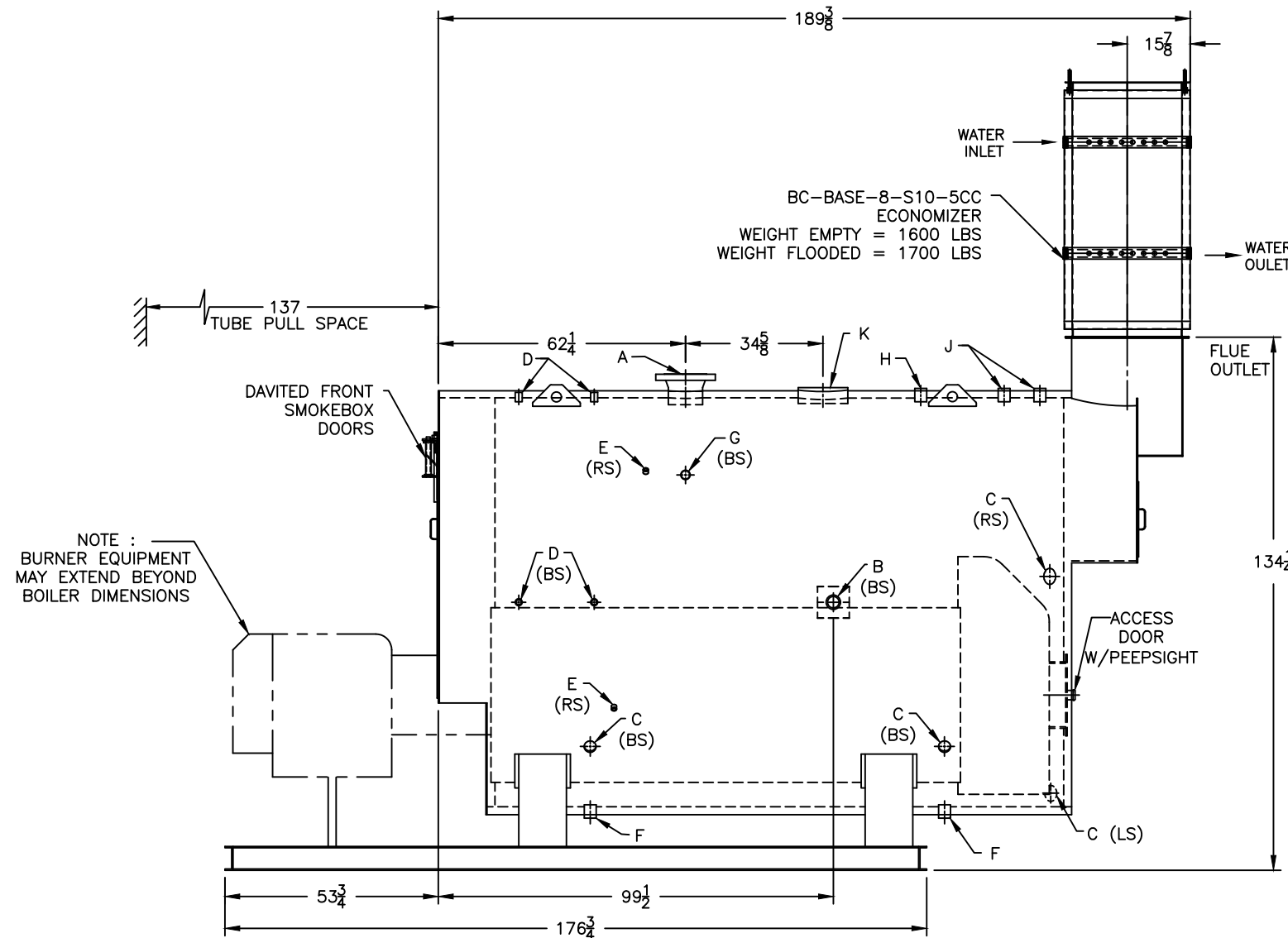
RATINGS AND DATA

Shell Diameter : 102"
Gross Output - BHP : 500
Gross Output - MBH : 16738
Gross Output - Lbs/Hr : 17250
Net Rating - MBH : 12995
Net Rating - Sq. Ft. : 54146
Safety Valve - Lbs/Hr. : 19526

Heating Surface - Sq. Ft.
Fireside - 2500
Firetubes
Number - 362
Diameter - 2.5" O.D.

Firing Rate
1000 BTU Gas (MBH) - 20922
140000 BTU/Gal Oil (GPH) - 143.3
150000 BTU/Gal Oil (GPH) - 133.7

Water Content
Pounds - 20371
Gallons (U.S.) - 2446
Approximate Weight/LBS.
(Includes Economizer)
Dry - 32156
Wet - 52527



NOTE :
BURNER EQUIPMENT
MAY EXTEND BEYOND
BOILER DIMENSIONS

5/8" - 11 NC HANGER ROD CONNECTION
TYP 4 PLACES
ECONOMIZER MUST BE SUPPORTED
INDEPENDENTLY OF BOILER (BY OTHERS).

MODEL 3P-500
500 BHP
150 PSI STEAM