

BURNHAM®

Commercial Boilers

RATINGS AND DATA

Shell Diameter : 114"
 Gross Output - BHP : 1000
 Gross Output - MBH : 33475
 Net Rating - MBH : 29109
 Safety Valve - Lbs/Hr. : 40000

Heating Surface - Sq. Ft.
 Fireside - 5000
 Firetubes
 Number - 410
 Diameter - 2.5" O.D.

Firing Rate
 1000 BTU Gas (MBH) - 41844
 140000 BTU/Gal Oil (GPH) - 298.9
 150000 BTU/Gal Oil (GPH) - 279.0

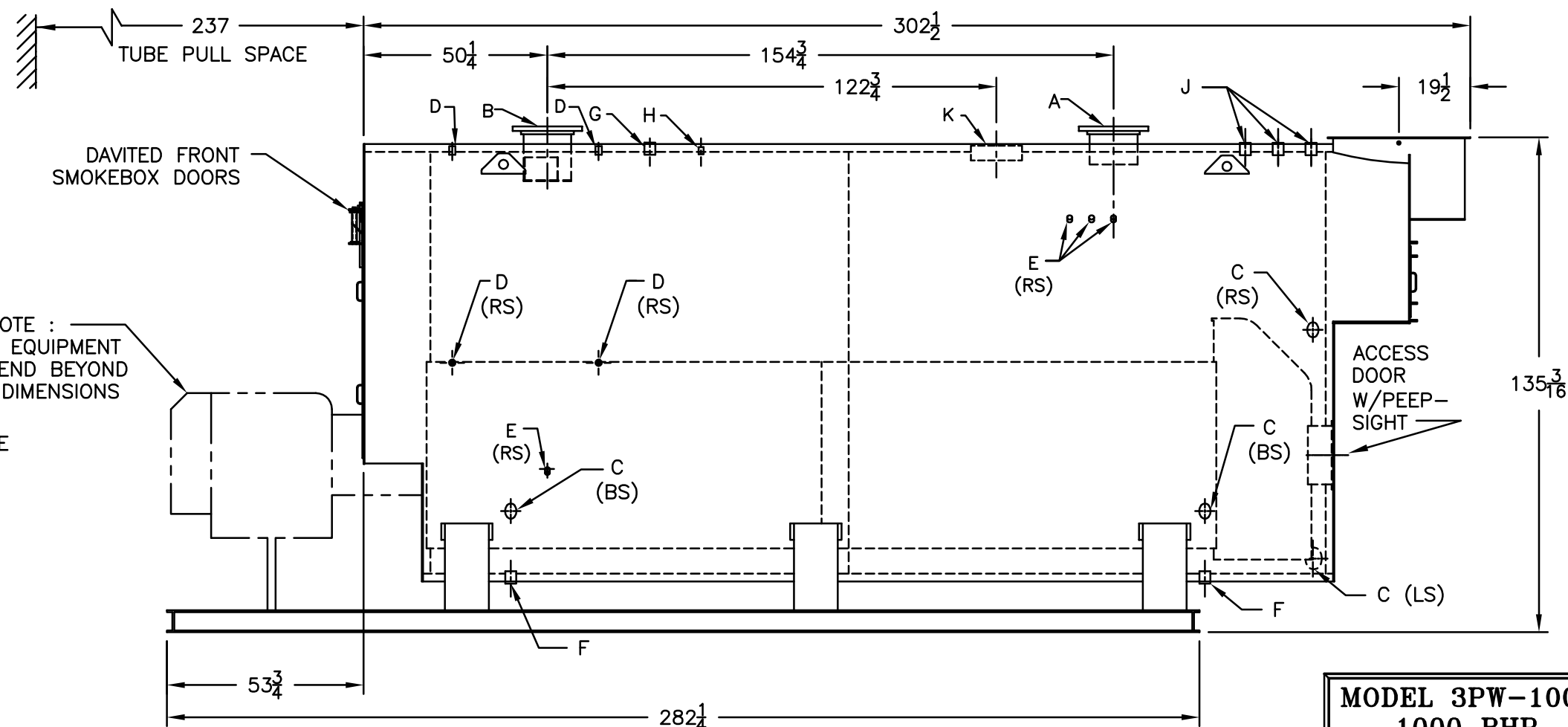
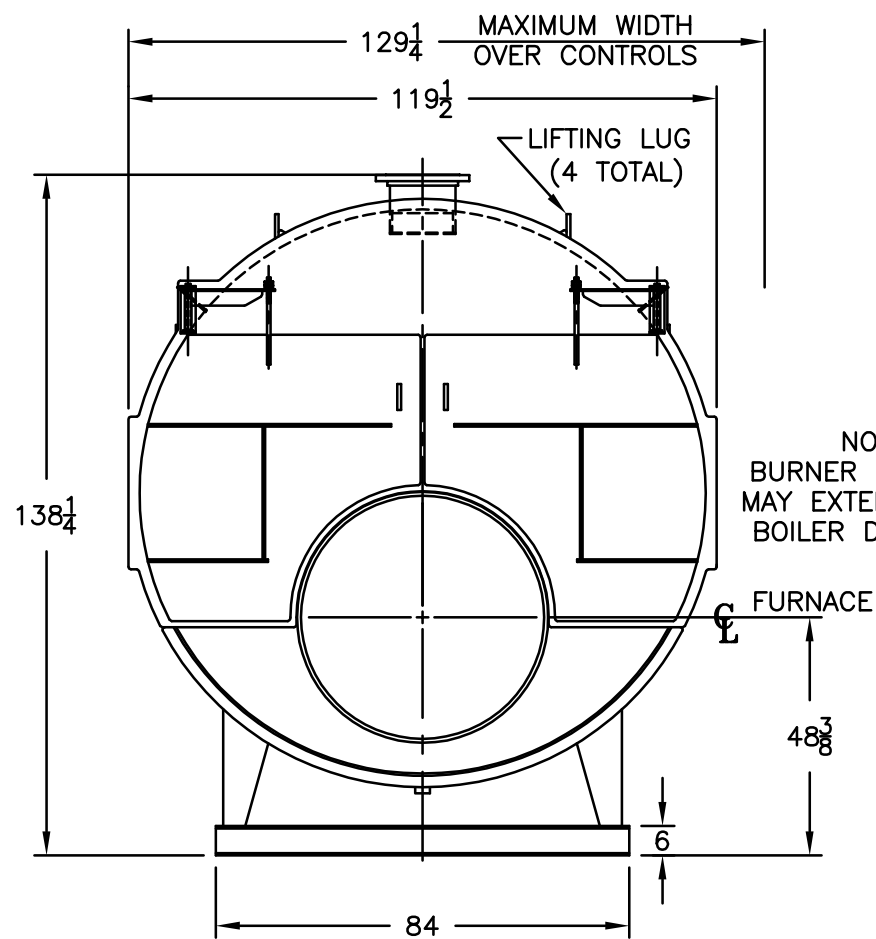
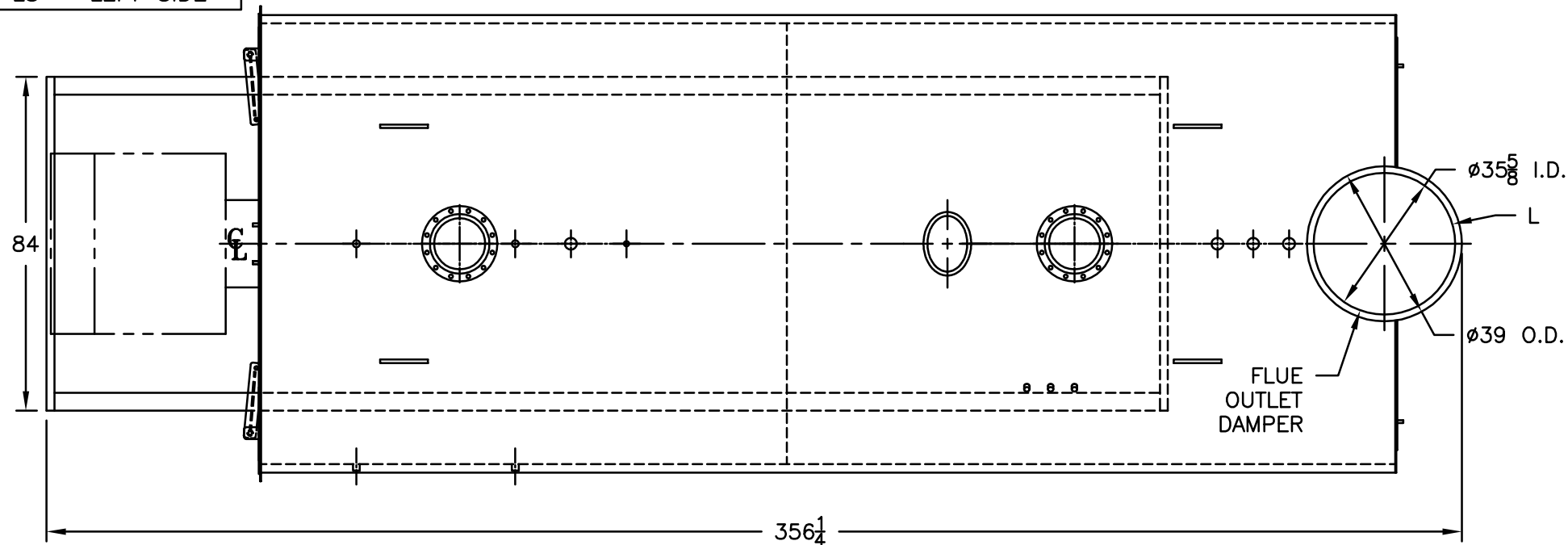
Water Content
 Pounds - 52536
 Gallons (U.S.) - 6307
 Approximate Weight/LBS.
 Dry - 61046
 Wet - 113582

LEGEND

BS = BOTH SIDES
 RS = RIGHT SIDE
 LS = LEFT SIDE

LEGEND CONNECTIONS

- A = 12" FLANGED SUPPLY (150#)
- B = 12" FLANGED RETURN (150#)
- C = 3" x 4" HANDHOLE
- D = 1" WATER COLUMN
- E = 3/4" AQUASTAT
- F = 2" BOTTOM BLOWDOWN
- G = 2" AUXILIARY CONNECTION
- H = 3/4" TEMPERATURE GAUGE
- J = 2" SAFETY VALVE (3)
- K = 12" x 16" MANHOLE
- L = 36" NOMINAL FLUE DIAMETER



SPECIFICATIONS SUBJECT TO CHANGE WITHOUT NOTICE
 ALL CONNECTIONS ARE THREADED UNLESS OTHERWISE SPECIFIED

MODEL 3PW-1000
1000 BHP
125 PSI WATER