

BURNHAM®

Commercial Boilers

LEGEND CONNECTIONS

- A = 4" SUPPLY
- B = 4" RETURN
- C = 3" x 4" HANDHOLE
- D = 1" WATER COLUMN
- E = 3/4" AQUASTAT
- F = 1-1/2" BOTTOM BLOWDOWN
- G = 1-1/2" AUXILIARY CONNECTION
- H = 3/4" TEMPERATURE GAUGE
- J = 1 1/4" SAFETY/RELIEF VALVE
- K = 12" NOMINAL FLUE DIAMETER

RATINGS AND DATA

Shell Diameter : 54"
 Gross Output - BHP : 105.5
 Gross Output - MBH : 3531
 Net Rating - MBH : 3071
 Relief Valve - MBH : 4000

Heating Surface - Sq. Ft.
 Fireside - 500

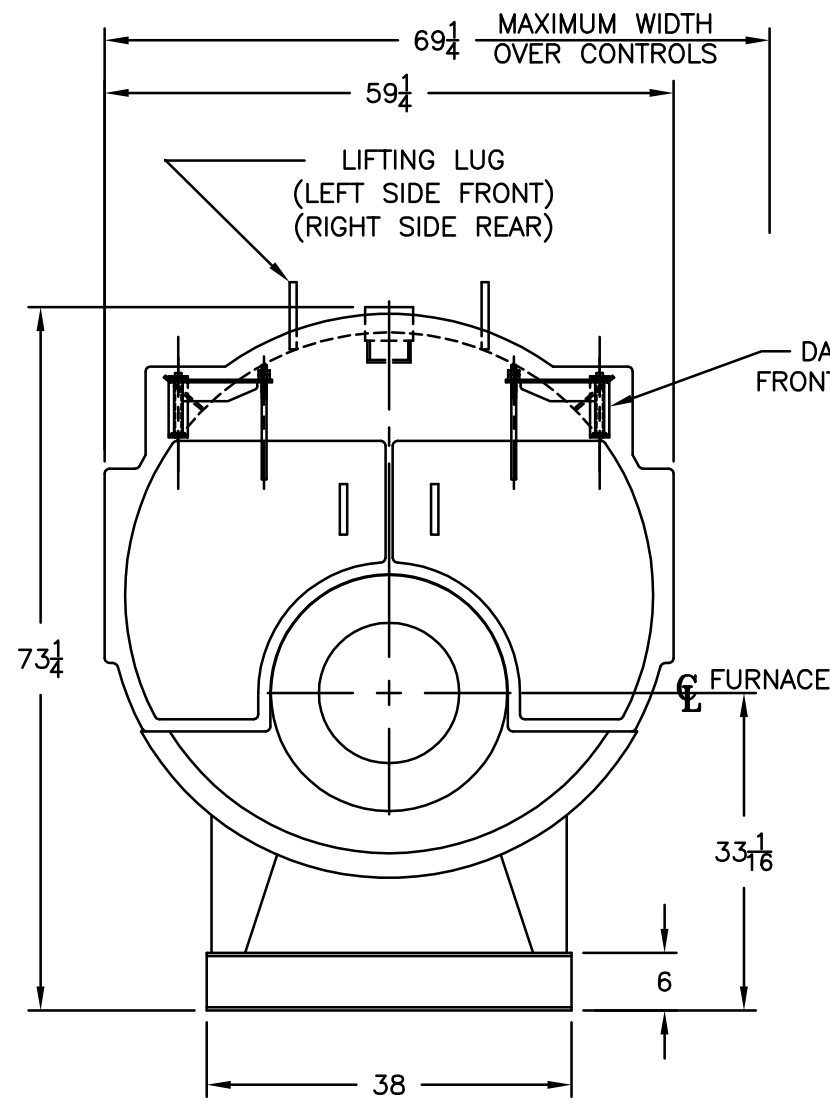
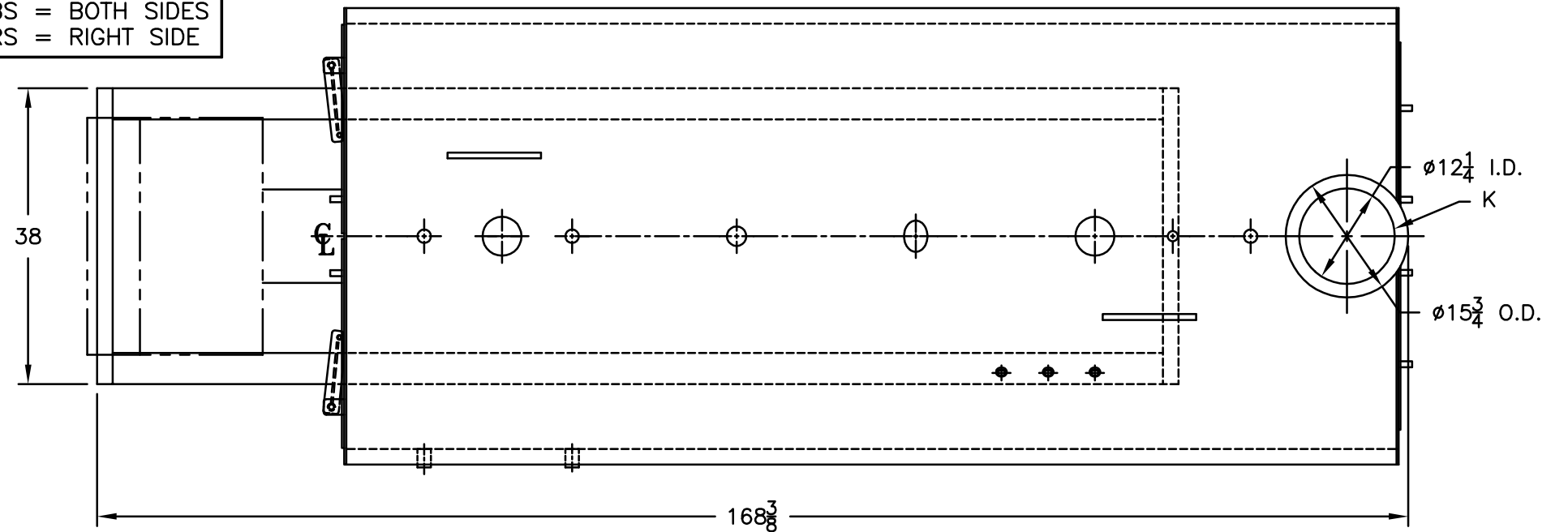
Firetubes
 Number - 106
 Diameter - 2" O.D.

Firing Rate
 1000 BTU Gas (MBH) - 4184
 140000 BTU/Gal Oil (GPH) - 28.9
 150000 BTU/Gal Oil (GPH) - 27.0

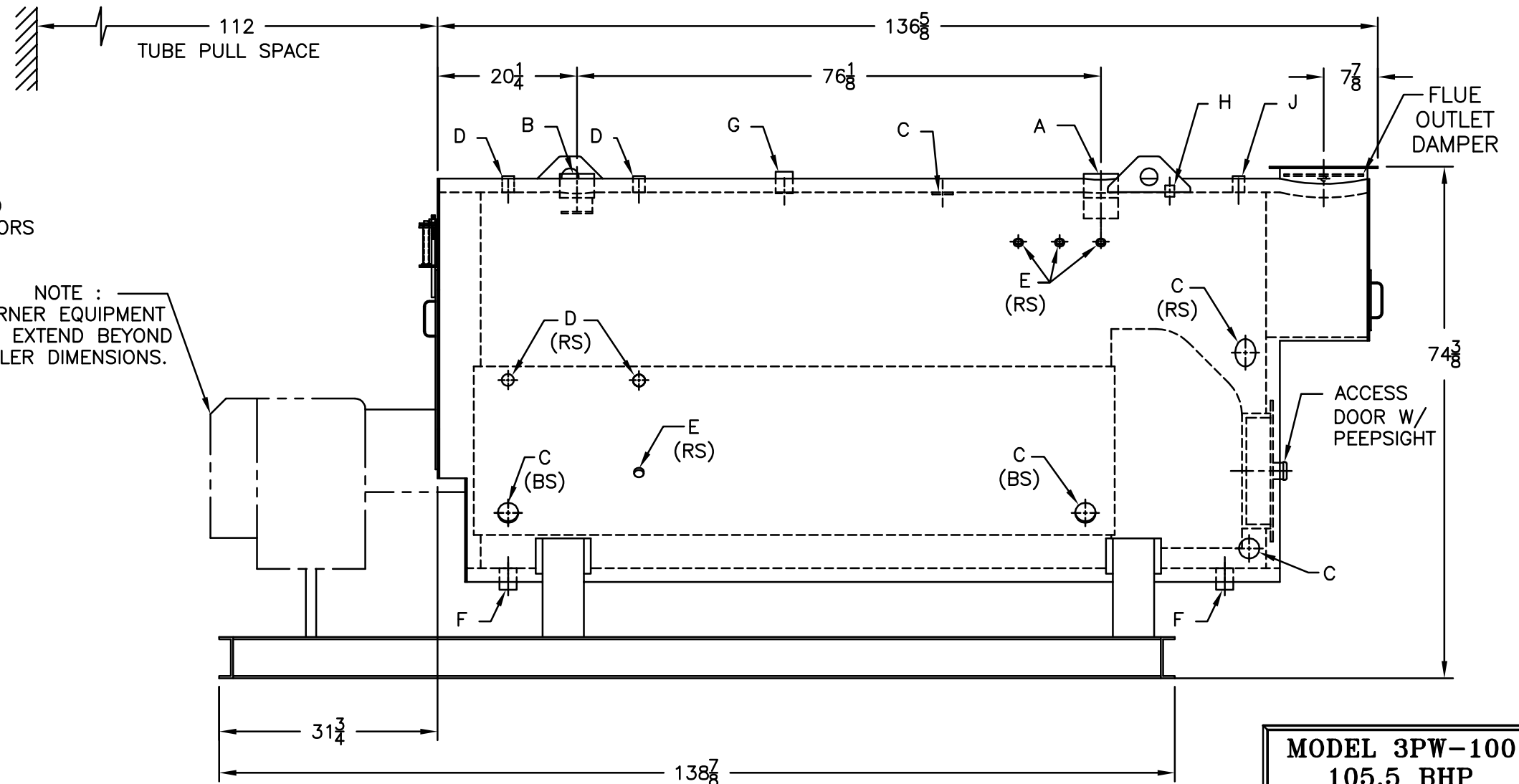
Water Content
 Pounds - 5860
 Gallons (U.S.) - 704
 Approximate Weight/LBS.
 Dry - 7800
 Wet - 13660

LEGEND

BS = BOTH SIDES
 RS = RIGHT SIDE



NOTE :
 BURNER EQUIPMENT
 MAY EXTEND BEYOND
 BOILER DIMENSIONS.



SPECIFICATIONS SUBJECT TO CHANGE WITHOUT NOTICE ALL CONNECTIONS ARE THREADED UNLESS OTHERWISE SPECIFIED
 THIS DOCUMENT CONTAINS CONFIDENTIAL INFORMATION WHICH IS THE PROPERTY OF BURNHAM COMMERCIAL. THIS DOCUMENT MAY NOT BE REPRODUCED, TRANSFERRED OR USED, OR ITS CONTENTS DISCLOSED, WITHOUT THE WRITTEN PERMISSION OF THE OWNER.

MODEL 3PW-100
105.5 BHP
125 PSI WATER