

BURNHAM®

Commercial Boilers

RATINGS AND DATA

Shell Diameter : 48"
 Gross Output - BHP : 41.1
 Gross Output - MBH : 1374
 Net Rating - MBH : 1195
 Safety Valve - MBH : 1600

Heating Surface - Sq. Ft.
 Fireside - 200
 Firetubes
 Number - 92
 Diameter - 2" O.D.

Firing Rate
 1000 BTU Gas (MBH) - 1674
 140000 BTU/Gal Oil (GPH) - 11.7
 150000 BTU/Gal Oil (GPH) - 10.9

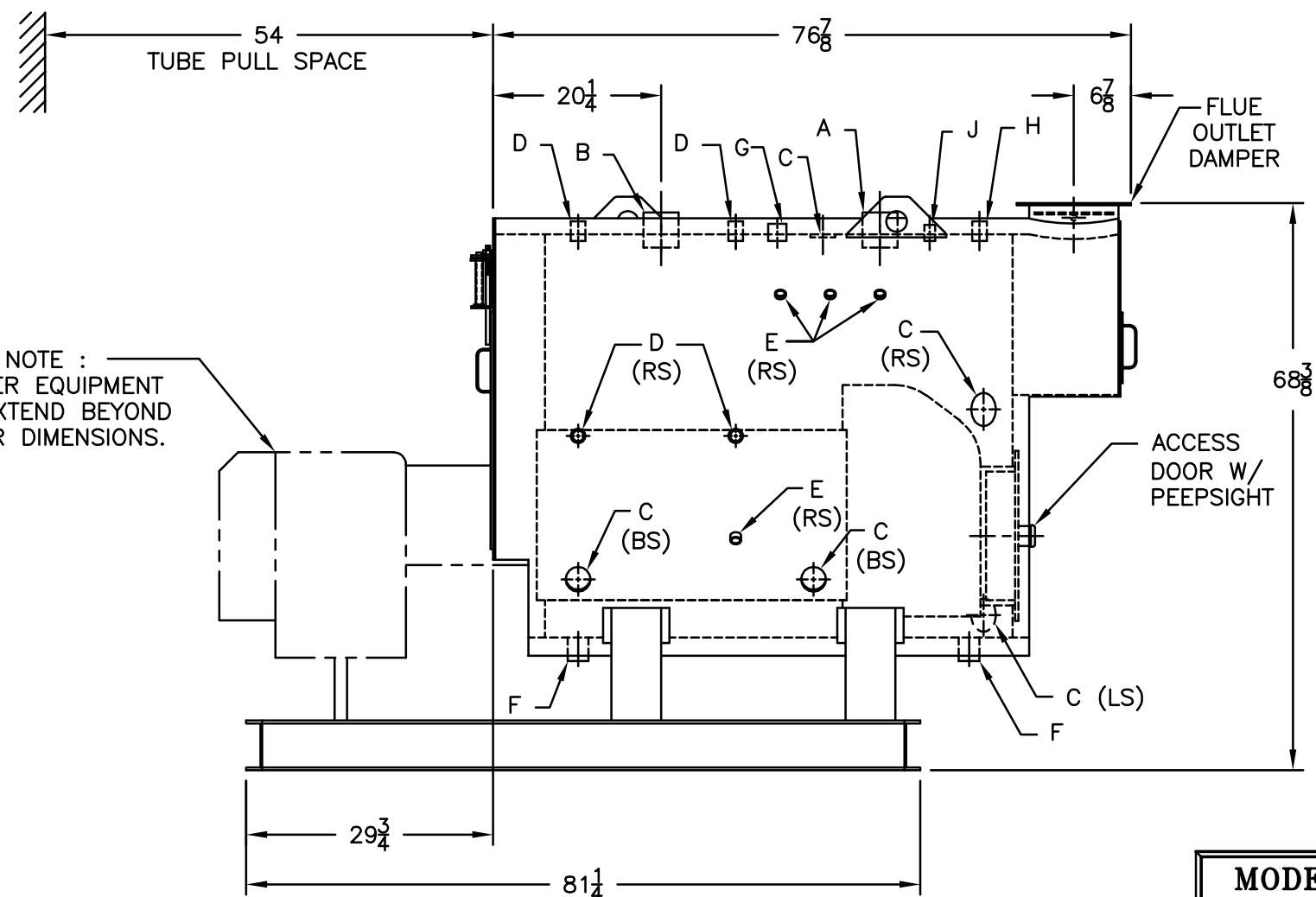
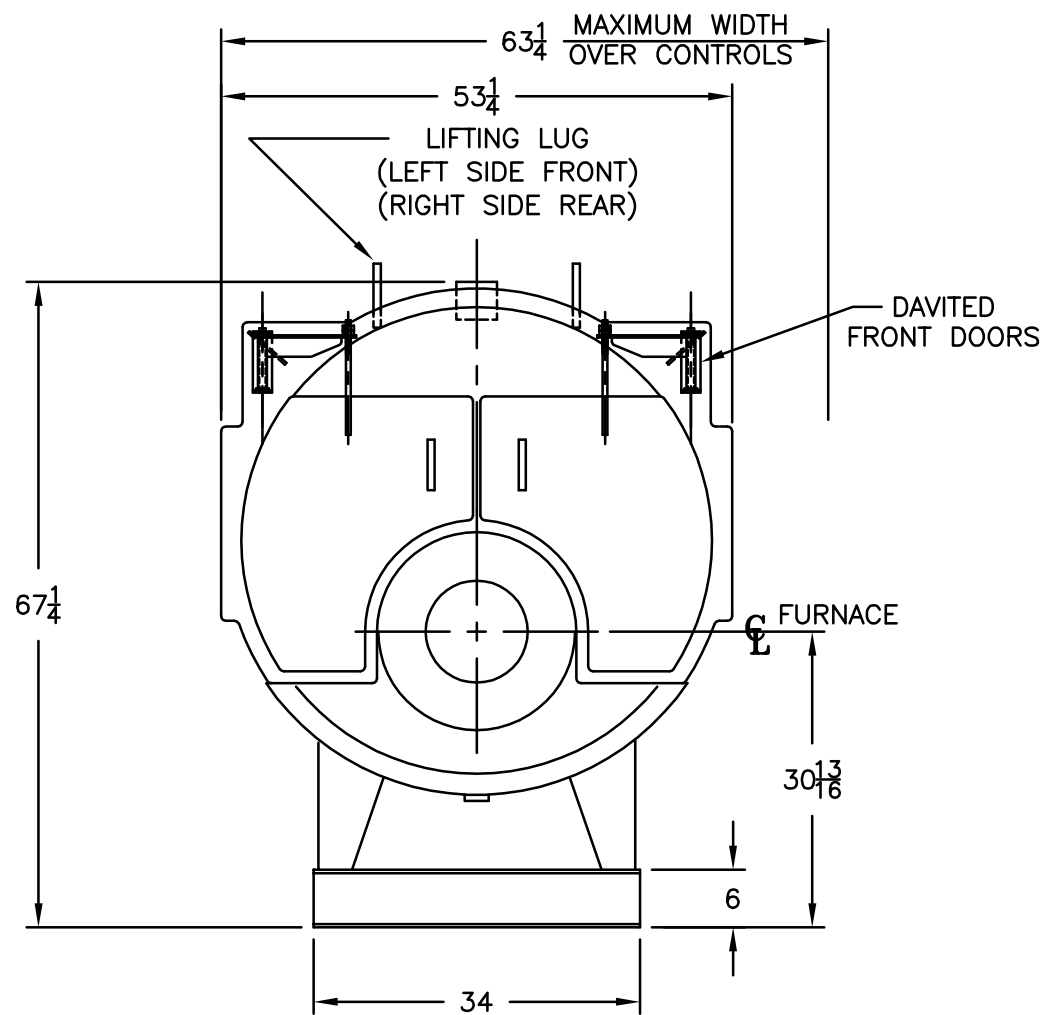
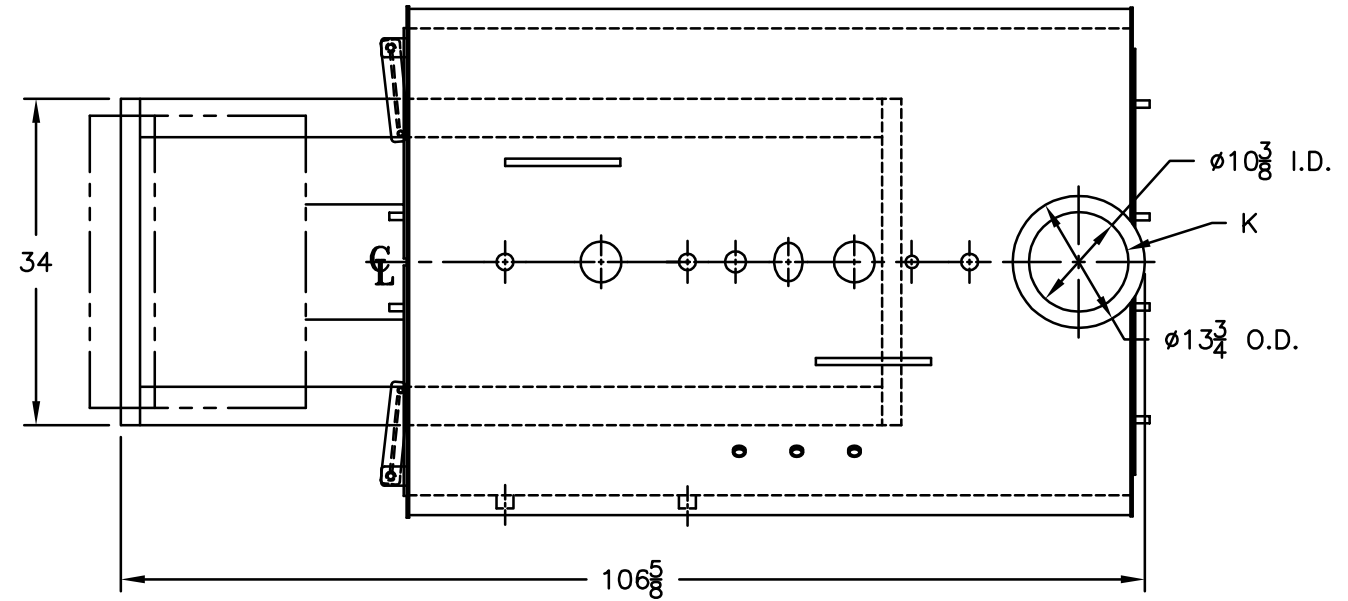
Water Content
 Pounds - 2177
 Gallons (U.S.) - 261
 Approximate Weight/LBS.
 Dry - 4730
 Wet - 6907

LEGEND

BS = BOTH SIDES
 RS = RIGHT SIDE
 LS = LEFT SIDE

LEGEND CONNECTIONS

- A = 4" SUPPLY
- B = 4" RETURN
- C = 3" x 4" HANDHOLE
- D = 1" WATER COLUMN
- E = 3/4" AQUASTAT/LFHA
- F = 1-1/2" BOTTOM BLOWDOWN
- G = 1-1/2" AUXILIARY CONNECTION
- H = 1" RELIEF VALVE
- J = 3/4" TEMPERATURE GAUGE
- K = 10" NOMINAL FLUE DIAMETER



SPECIFICATIONS SUBJECT TO CHANGE WITHOUT NOTICE ALL CONNECTIONS ARE THREADED UNLESS OTHERWISE SPECIFIED
 THIS DOCUMENT CONTAINS CONFIDENTIAL INFORMATION WHICH IS THE PROPERTY OF BURNHAM COMMERCIAL. THIS DOCUMENT MAY NOT BE REPRODUCED, TRANSFERRED OR USED, OR ITS CONTENTS DISCLOSED, WITHOUT THE WRITTEN PERMISSION OF THE OWNER.

MODEL 3PW-40
41.1 BHP
125 PSI WATER