

BURNHAM®

Commercial Boilers

RATINGS AND DATA

Shell Diameter : 54"
 Gross Output - BHP : 71.7
 Gross Output - MBH : 2402
 Net Rating - MBH : 2089
 Relief Valve - MBH : 2800

Heating Surface - Sq. Ft.
 Fireside - 350

Firetubes
 Number - 106
 Diameter - 2" O.D.

Firing Rate
 1000 BTU Gas (MBH) - 2929
 140000 BTU/Gal Oil (GPH) - 20.1
 150000 BTU/Gal Oil (GPH) - 18.8

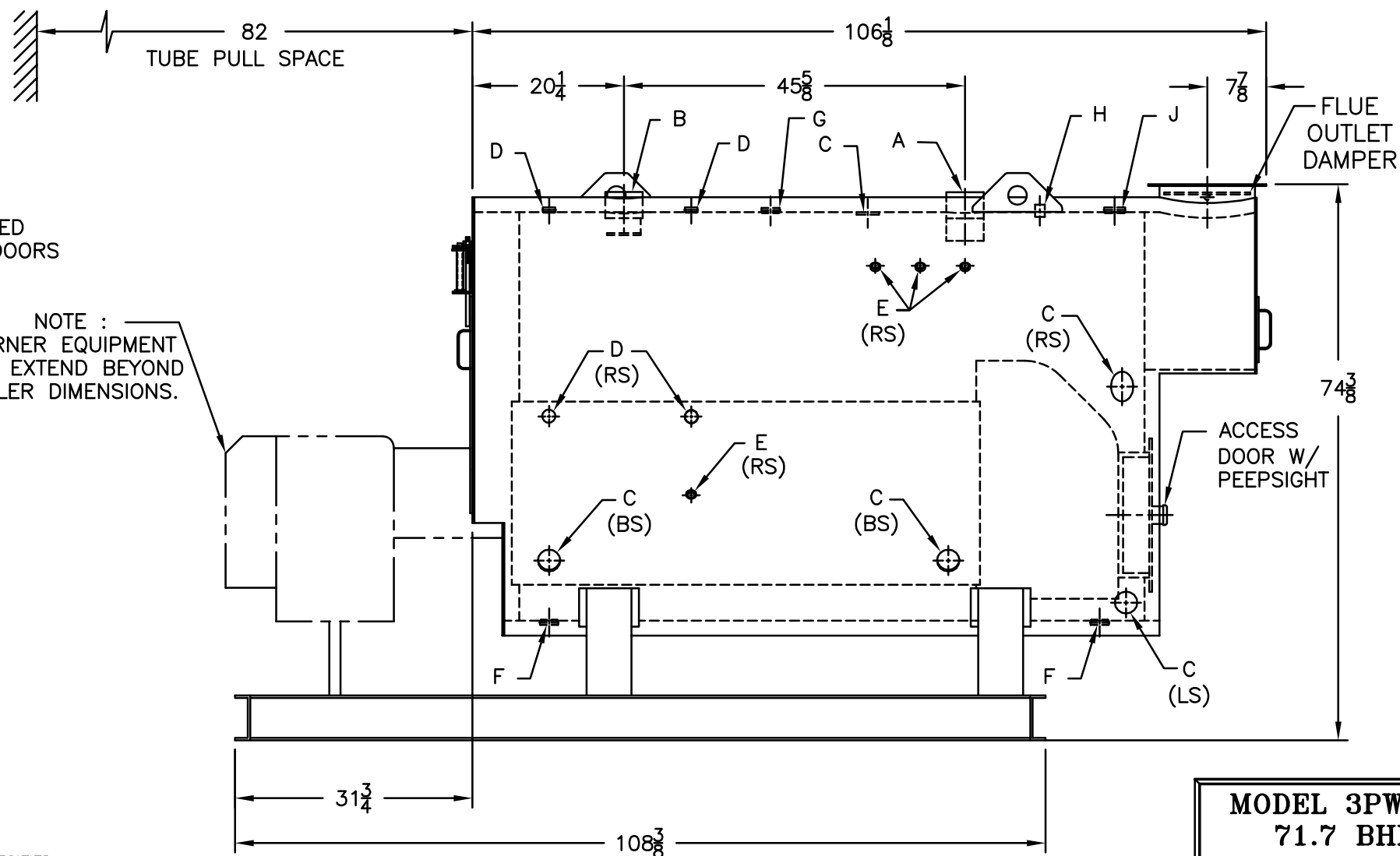
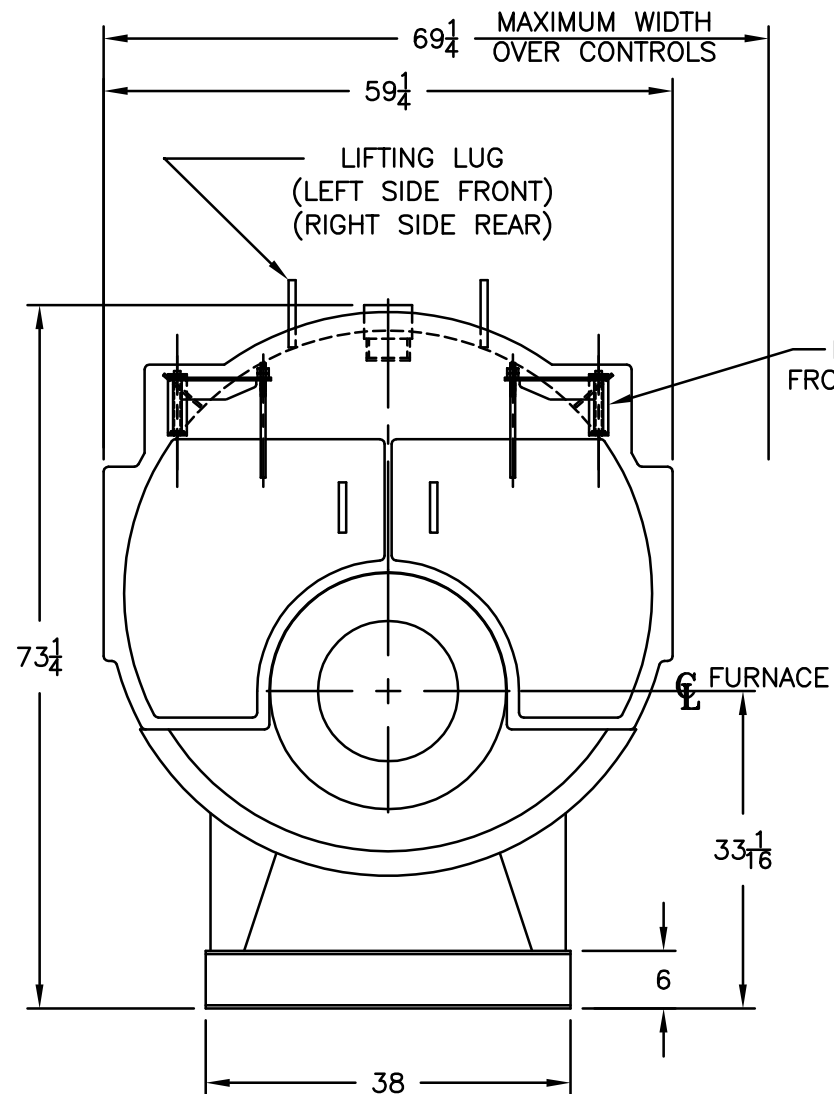
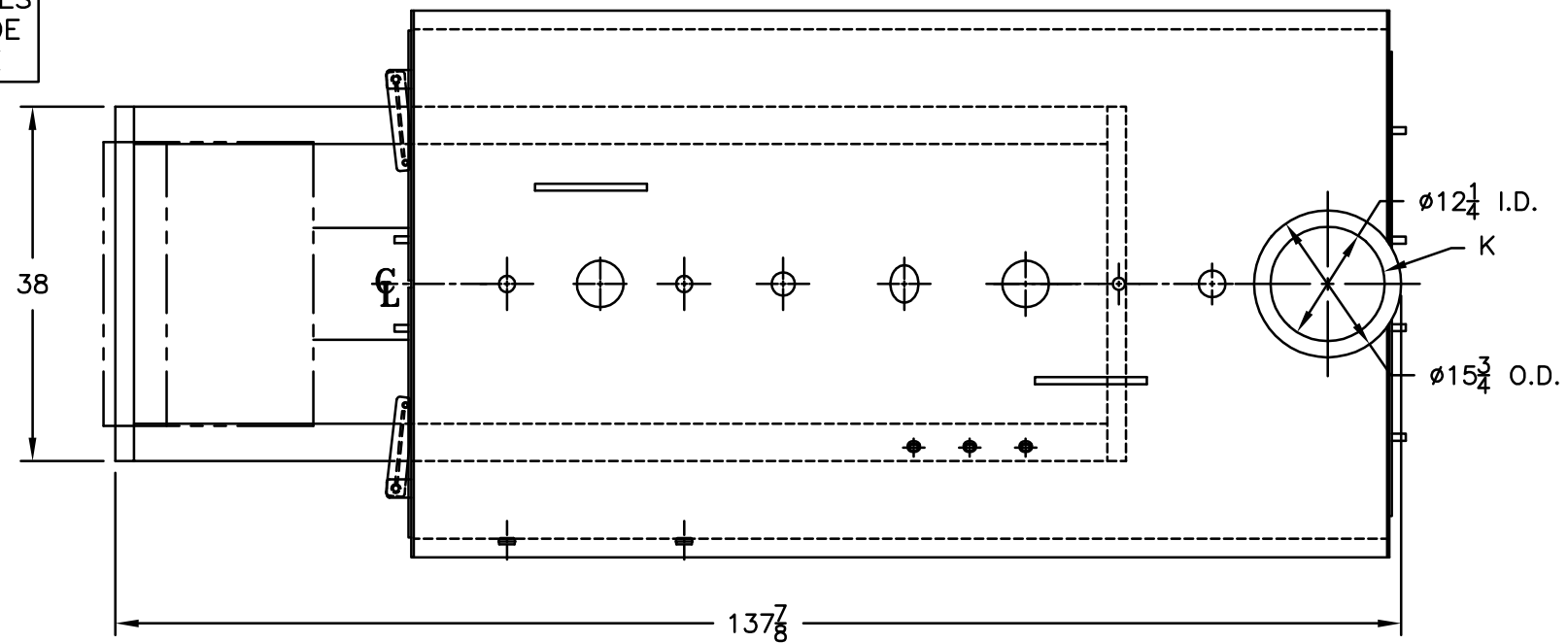
Water Content
 Pounds - 4224
 Gallons (U.S.) - 507
 Approximate Weight/LBS.
 Dry - 7250
 Wet - 11474

LEGEND

BS = BOTH SIDES
 RS = RIGHT SIDE
 LS = LEFT SIDE

LEGEND CONNECTIONS

- A = 4" SUPPLY
- B = 4" RETURN
- C = 3" x 4" HANDHOLE
- D = 1" WATER COLUMN
- E = 3/4" AQUASTAT
- F = 1-1/2" BOTTOM BLOWDOWN
- G = 1-1/2" AUXILIARY CONN.
- H = 3/4" TEMPERATURE GAUGE
- J = 1-1/4" RELIEF VALVE
- K = 12" NOMINAL FLUE DIAMETER



NOTE :
 BURNER EQUIPMENT
 MAY EXTEND BEYOND
 BOILER DIMENSIONS.

MODEL 3PW-70
71.7 BHP
125 PSI WATER

SPECIFICATIONS SUBJECT TO CHANGE WITHOUT NOTICE ALL CONNECTIONS ARE THREADED UNLESS OTHERWISE SPECIFIED
 THIS DOCUMENT CONTAINS CONFIDENTIAL INFORMATION WHICH IS THE PROPERTY OF BURNHAM COMMERCIAL. THIS DOCUMENT MAY NOT BE REPRODUCED, TRANSFERRED OR USED, OR ITS CONTENTS DISCLOSED, WITHOUT THE WRITTEN PERMISSION OF THE OWNER.