

BURNHAM®

Commercial Boilers

RATINGS AND DATA

Shell Diameter : 54"
 Gross Output - BHP : 94.2
 Gross Output - MBH : 3152
 Net Rating - MBH : 2741
 Relief Valve - MBH : 3600

Heating Surface - Sq. Ft.
 Fireside - 450
 Firetubes
 Number - 106
 Diameter - 2" O.D.

Firing Rate
 1000 BTU Gas (MBH) - 3766
 140000 BTU/Gal Oil (GPH) - 25.9
 150000 BTU/Gal Oil (GPH) - 24.2

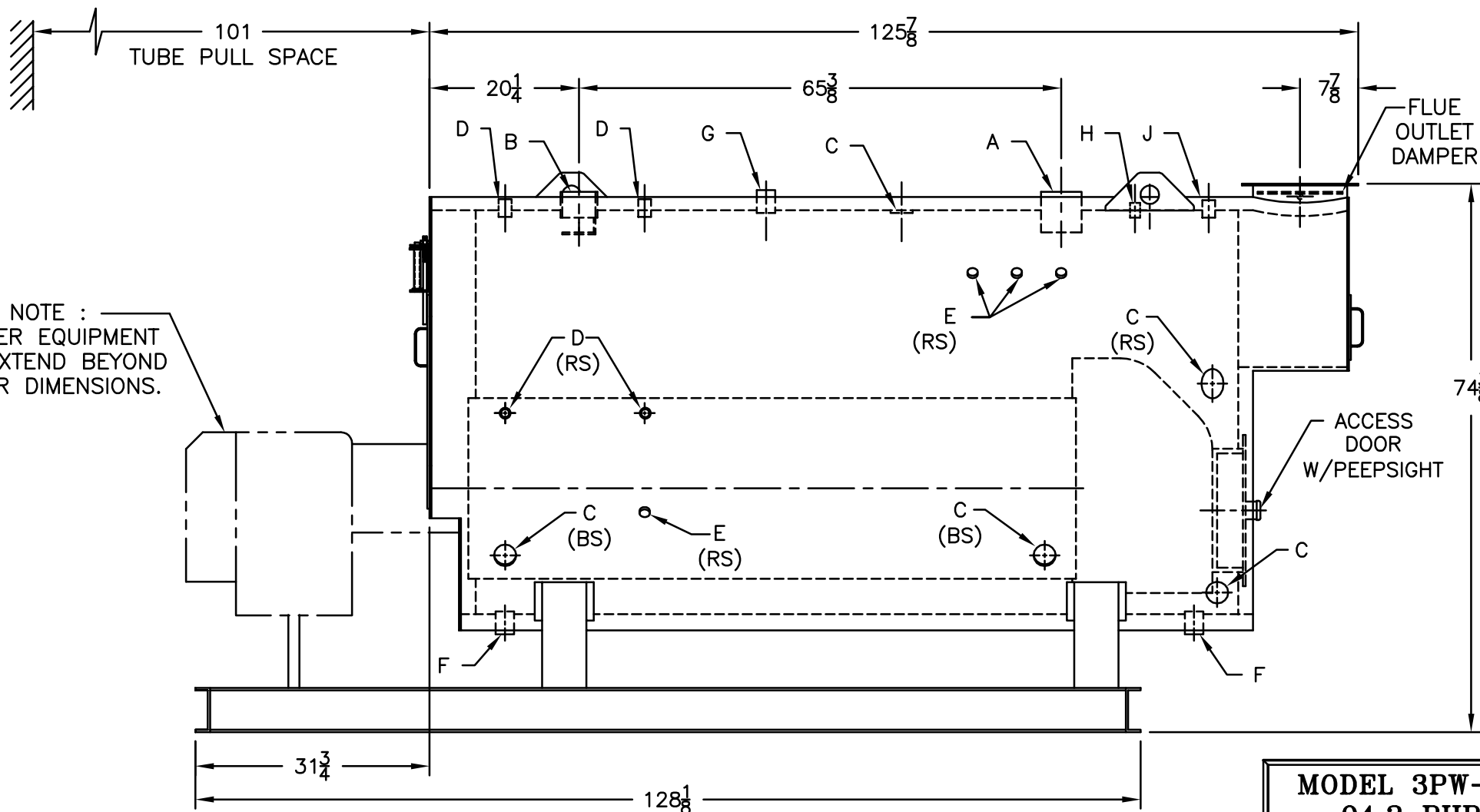
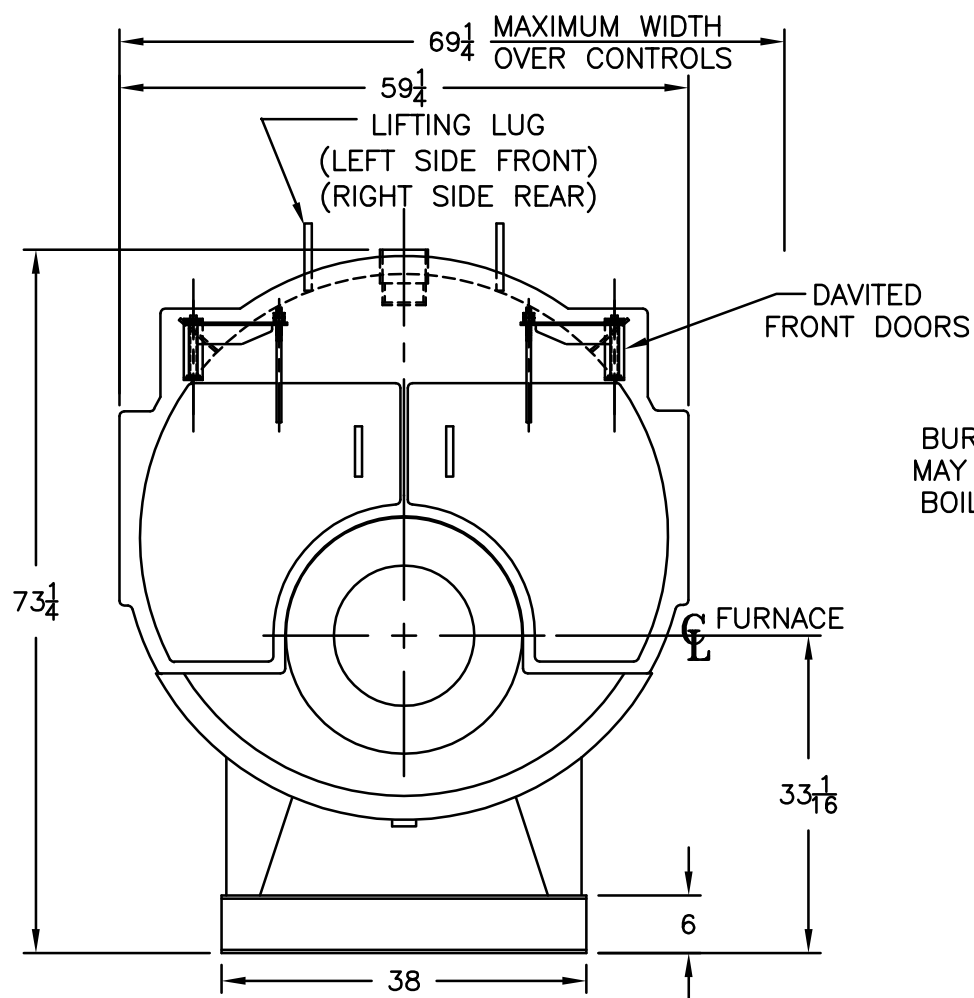
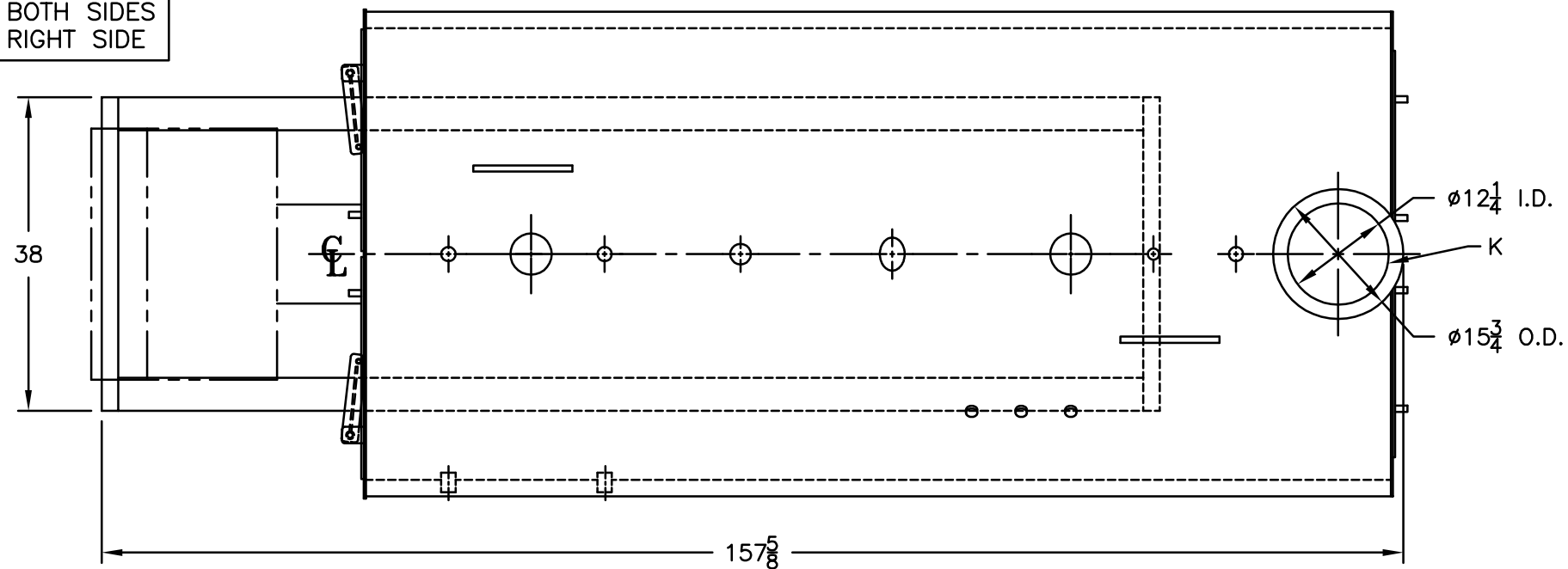
Water Content
 Pounds - 5284
 Gallons (U.S.) - 634
 Approximate Weight/LBS.
 Dry - 7200
 Wet - 12484

LEGEND CONNECTIONS

- A = 4" SUPPLY
- B = 4" RETURN
- C = 3" x 4" HANDHOLE
- D = 1" WATER COLUMN
- E = 3/4" AQUASTAT
- F = 1-1/2" BOTTOM DRAIN
- G = 1-1/2" AUXILIARY CONNECTION
- H = 3/4" TEMPERATURE GAUGE
- J = 1-1/4" RELIEF VALVE
- K = 12" NOMINAL FLUE DIAMETER

LEGEND

- BS = BOTH SIDES
- RS = RIGHT SIDE



SPECIFICATIONS SUBJECT TO CHANGE WITHOUT NOTICE ALL CONNECTIONS ARE THREADED UNLESS OTHERWISE SPECIFIED
 THIS DOCUMENT CONTAINS CONFIDENTIAL INFORMATION WHICH IS THE PROPERTY OF BURNHAM COMMERCIAL. THIS DOCUMENT MAY NOT BE REPRODUCED, TRANSFERRED OR USED, OR ITS CONTENTS DISCLOSED, WITHOUT THE WRITTEN PERMISSION OF THE OWNER.

MODEL 3PW-90
94.2 BHP
125 PSI WATER