

BURNHAM®

Commercial Boilers

RATINGS AND DATA

Shell Diameter : 78"
 Gross Output - BHP : 260.3
 Gross Output - MBH : 8714
 Net Rating - MBH : 7577
 Safety Valve - MBH : 10000

Heating Surface - Sq. Ft.
 Fireside - 1250
 Firetubes
 Number - 186
 Diameter - 2.5" O.D.

Firing Rate
 1000 BTU Gas (MBH) - 10461
 140,000 BTU/GAL Oil (GPH) - 71.7
 150,000 BTU/GAL Oil (GPH) - 66.9

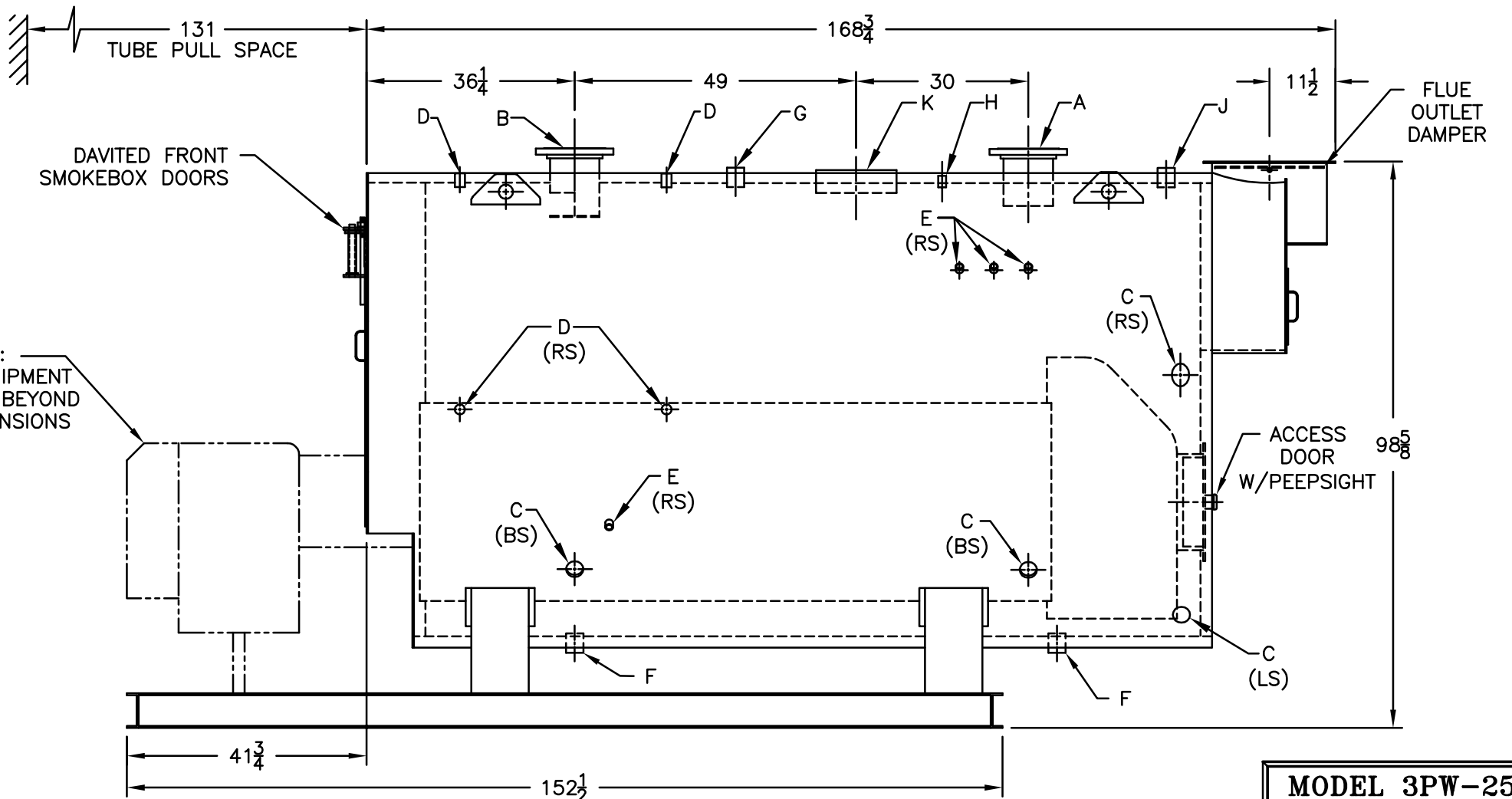
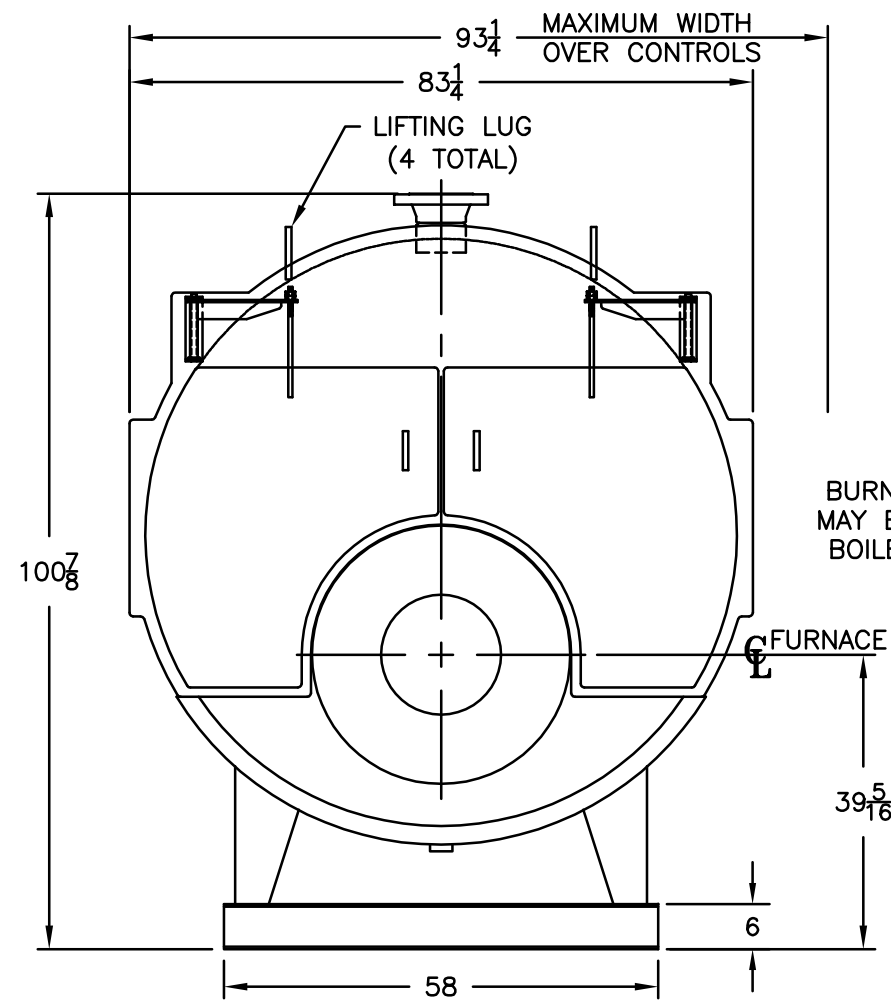
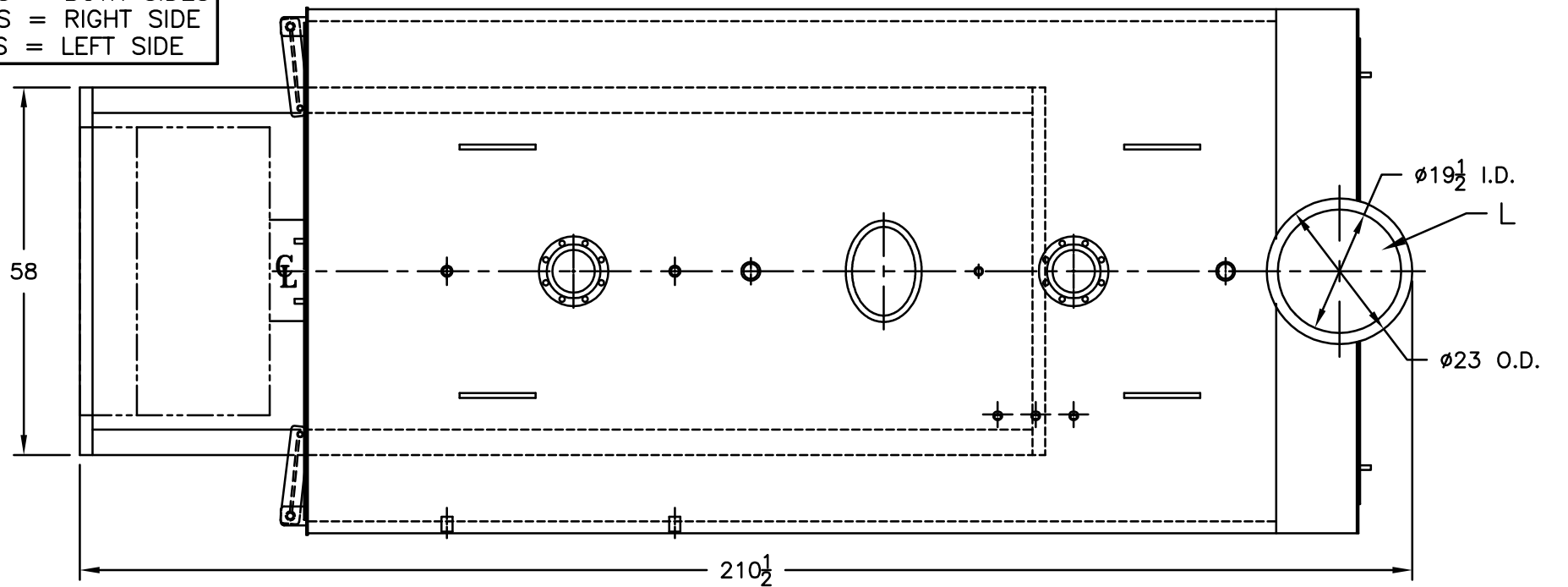
Water Content
 Pounds - 13618
 Gallons (U.S.) - 1635
 Approximate Weight/LBS.
 Dry - 17700
 Wet - 31318

LEGEND CONNECTIONS

- A = 6" FLANGED SUPPLY (150#)
- B = 6" FLANGED RETURN (150#)
- C = 3" x 4" HANDHOLE
- D = 1" WATER COLUMN
- E = 3/4" AQUASTAT
- F = 2" BOTTOM DRAIN
- G = 2" EXPANSION TANK
- H = 3/4" TEMPERATURE GAUGE
- J = 2" RELIEF VALVE
- K = 12" x 16" MANHOLE
- L = 20" NOMINAL FLUE DIAMETER

LEGEND

- BS = BOTH SIDES
- RS = RIGHT SIDE
- LS = LEFT SIDE



NOTE :
 BURNER EQUIPMENT
 MAY EXYEND BEYOND
 BOILER DIMENSIONS

SPECIFICATIONS SUBJECT TO CHANGE WITHOUT NOTICE ALL CONNECTIONS ARE THREADED UNLESS OTHERWISE SPECIFIED
 THIS DOCUMENT CONTAINS CONFIDENTIAL INFORMATION WHICH IS THE PROPERTY OF BURNHAM COMMERCIAL. THIS DOCUMENT MAY NOT BE REPRODUCED, TRANSFERRED OR USED, OR ITS CONTENTS DISCLOSED, WITHOUT THE WRITTEN PERMISSION OF THE OWNER.

MODEL 3PW-250
260.3 BHP
125 PSI WATER