

# BURNHAM®

## Commercial Boilers

### RATINGS AND DATA

Shell Diameter : 78"  
 Gross Output - BHP : 316.9  
 Gross Output - MBH : 10607  
 Net Rating - MBH : 9224  
 Safety Valve - MBH : 12000

Heating Surface - Sq. Ft.  
 Fireside - 1500  
 Firetubes  
 Number - 186  
 Diameter - 2.5" O.D.

Firing Rate  
 1000 BTU Gas (MBH) - 12553  
 140,000 BTU/GAL Oil (GPH) - 86.3  
 150,000 BTU/GAL Oil (GPH) - 80.5

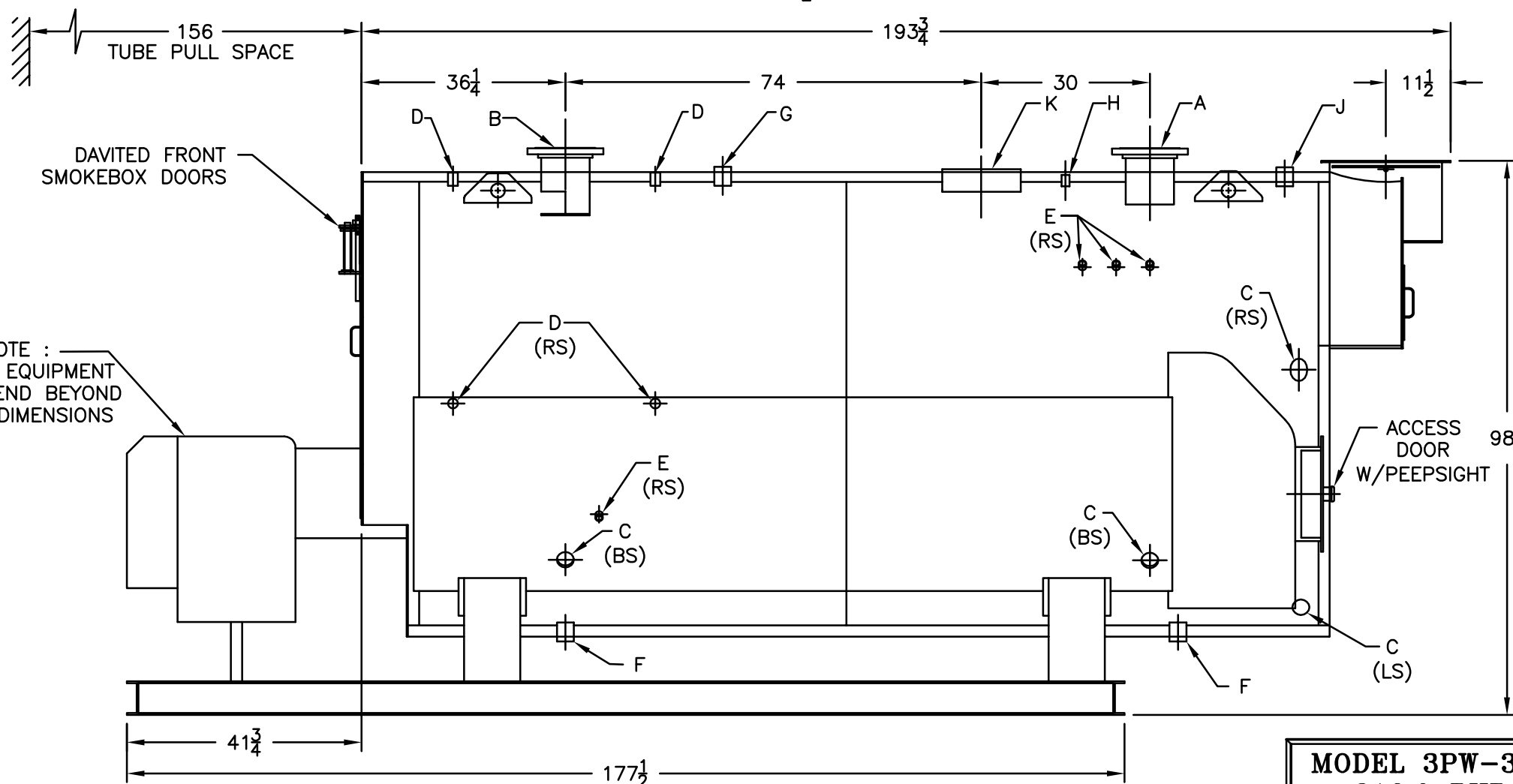
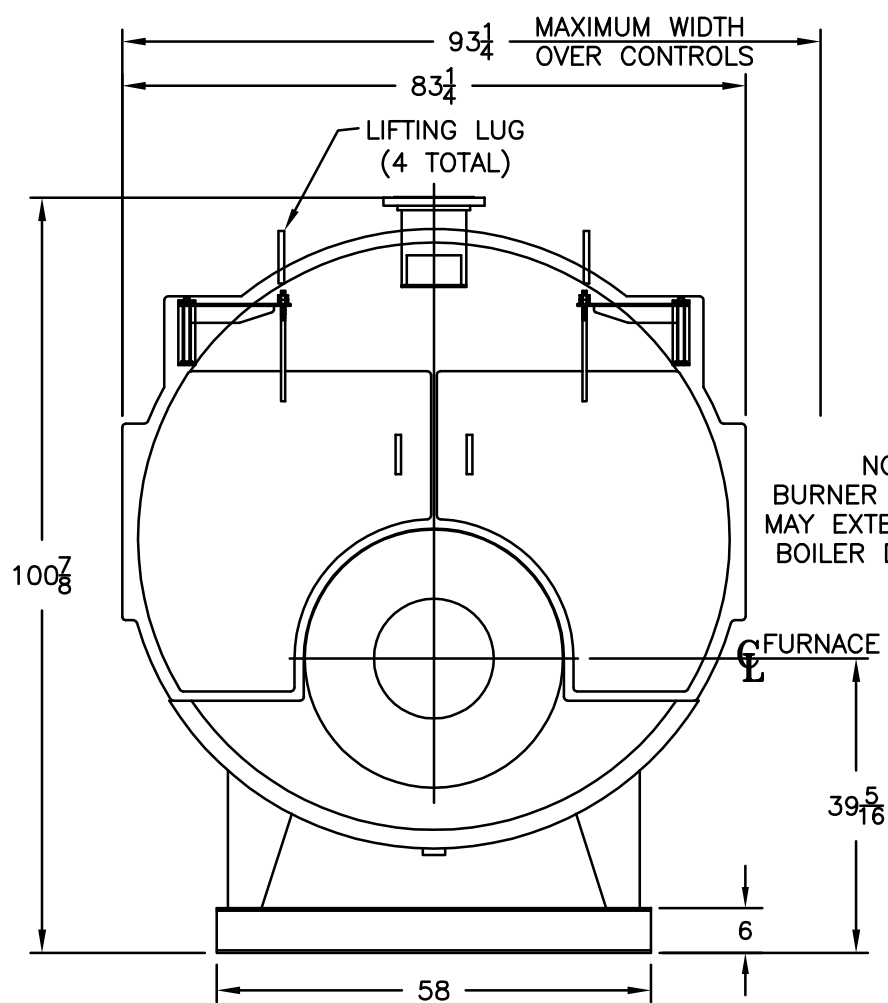
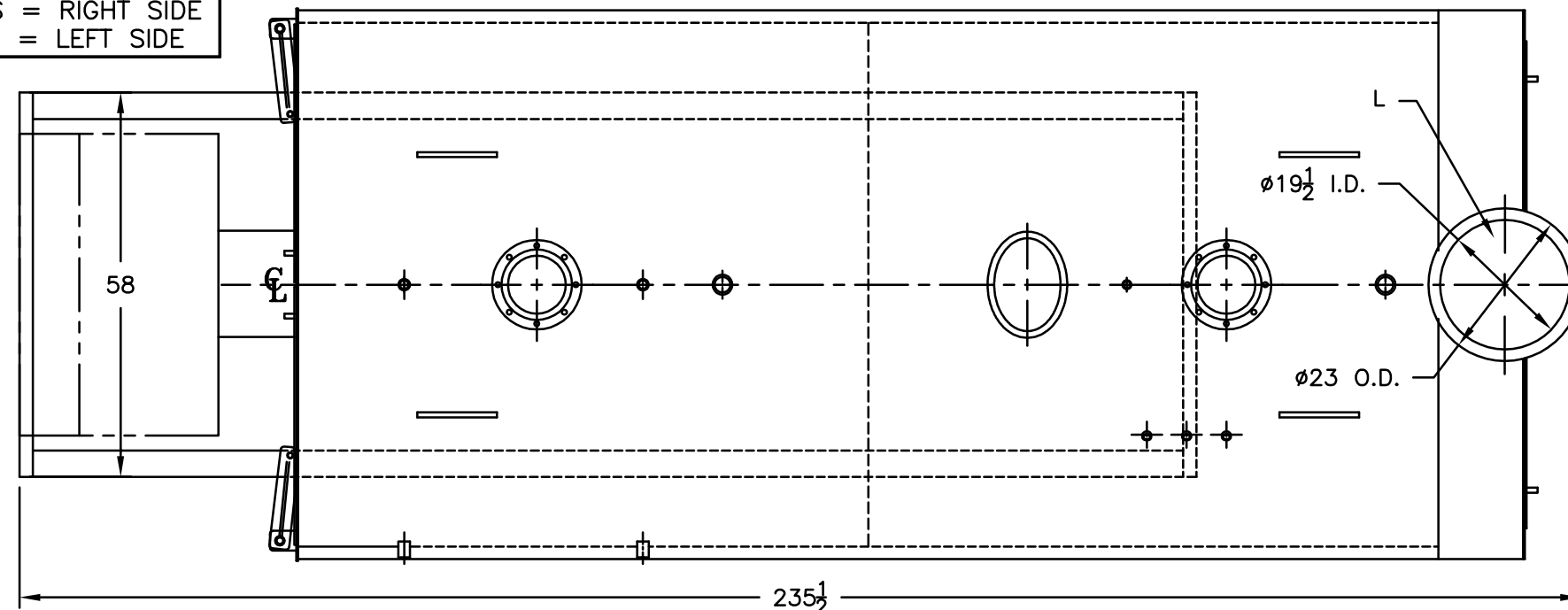
Water Content  
 Pounds - 16264  
 Gallons (U.S.) - 1952  
 Approximate Weight/LBS.  
 Dry - 20700  
 Wet - 36964

### LEGEND

BS = BOTH SIDES  
 RS = RIGHT SIDE  
 LS = LEFT SIDE

### LEGEND CONNECTIONS

- A = 8" FLANGED SUPPLY (150#)
- B = 8" FLANGED RETURN (150#)
- C = 3" x 4" HANDHOLE
- D = 1" WATER COLUMN
- E = 3/4" AQUASTAT
- F = 2" BOTTOM DRAIN
- G = 2" EXPANSION TANK
- H = 3/4" TEMPERATURE GAUGE
- J = 2" RELIEF VALVE
- K = 12" x 16" MANHOLE
- L = 20" NOMINAL FLUE DIAMETER



SPECIFICATIONS SUBJECT TO CHANGE WITHOUT NOTICE ALL CONNECTIONS ARE THREADED UNLESS OTHERWISE SPECIFIED  
 THIS DOCUMENT CONTAINS CONFIDENTIAL INFORMATION WHICH IS THE PROPERTY OF BURNHAM COMMERCIAL. THIS DOCUMENT MAY NOT BE REPRODUCED, TRANSFERRED OR USED, OR ITS CONTENTS DISCLOSED, WITHOUT THE WRITTEN PERMISSION OF THE OWNER.

**MODEL 3PW-300**  
**316.9 BHP**  
**125 PSI WATER**