

BURNHAM®

Commercial Boilers

RATINGS AND DATA

Shell Diameter : 102"
 Gross Output - BHP : 524.4
 Gross Output - MBH : 17554
 Net Rating - MBH : 15264
 Safety Valve - MBH : 20000

LEGEND CONNECTIONS

- A = 8" FLANGED SUPPLY (150#)
- B = 8" FLANGED RETURN (150#)
- C = 3" x 4" HANDHOLE
- D = 1" WATER COLUMN
- E = 3/4" AQUASTAT
- F = 2" BOTTOM DRAIN
- G = 2" AUXILIARY CONNECTION
- H = 3/4" TEMPERATURE GAUGE
- J = 2" RELIEF VALVE
- 1-1/2" RELIEF VALVE
- K = 12" x 16" MANHOLE
- L = 28" NOMINAL FLUE DIAMETER

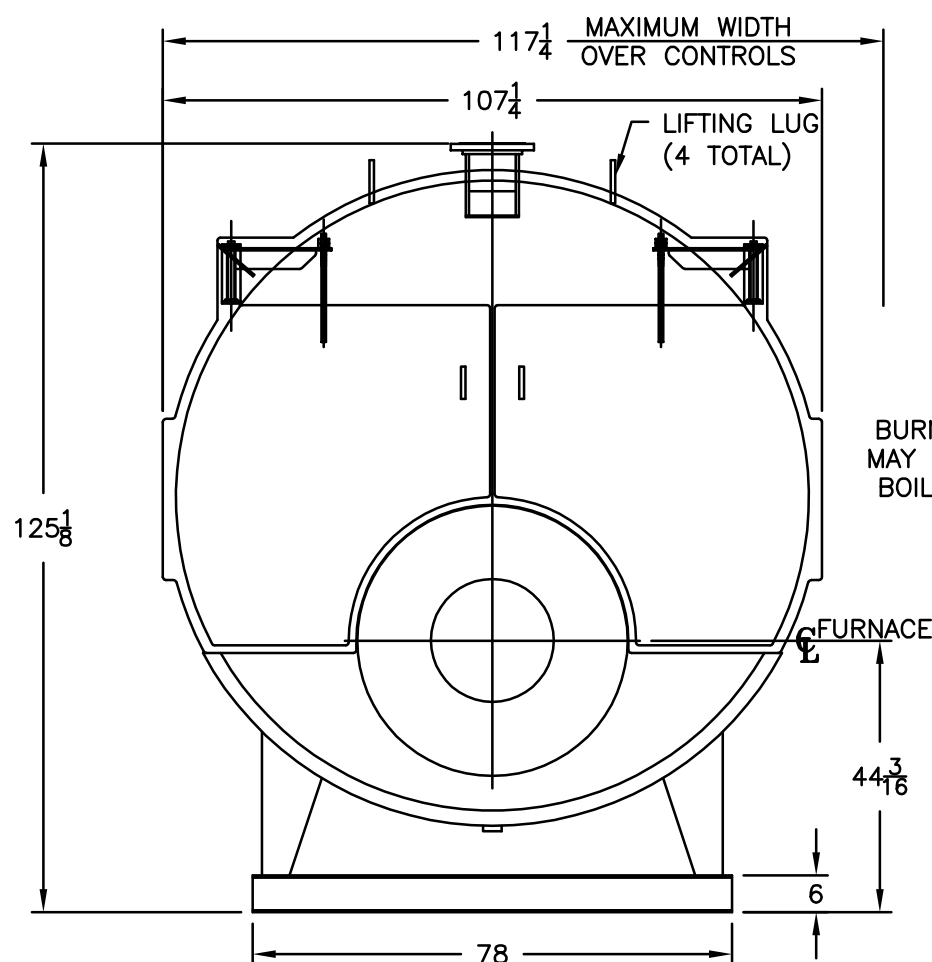
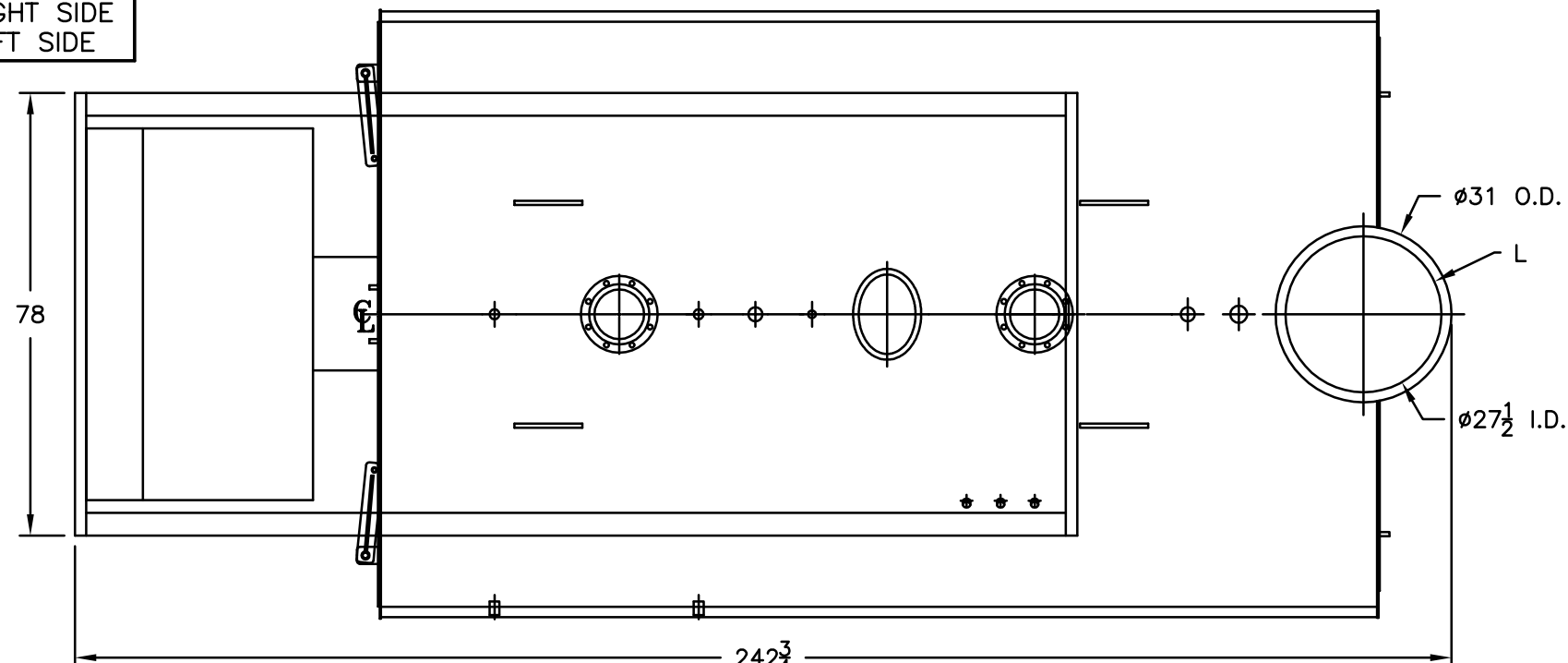
Heating Surface - Sq. Ft.
 Fireside - 2500
 Firetubes
 Number - 362
 Diameter - 2.5" O.D.

Firing Rate
 1000 BTU Gas (MBH) - 20922
 140000 BTU/Gal Oil (GPH) - 143.3
 150000 BTU/Gal Oil (GPH) - 133.7

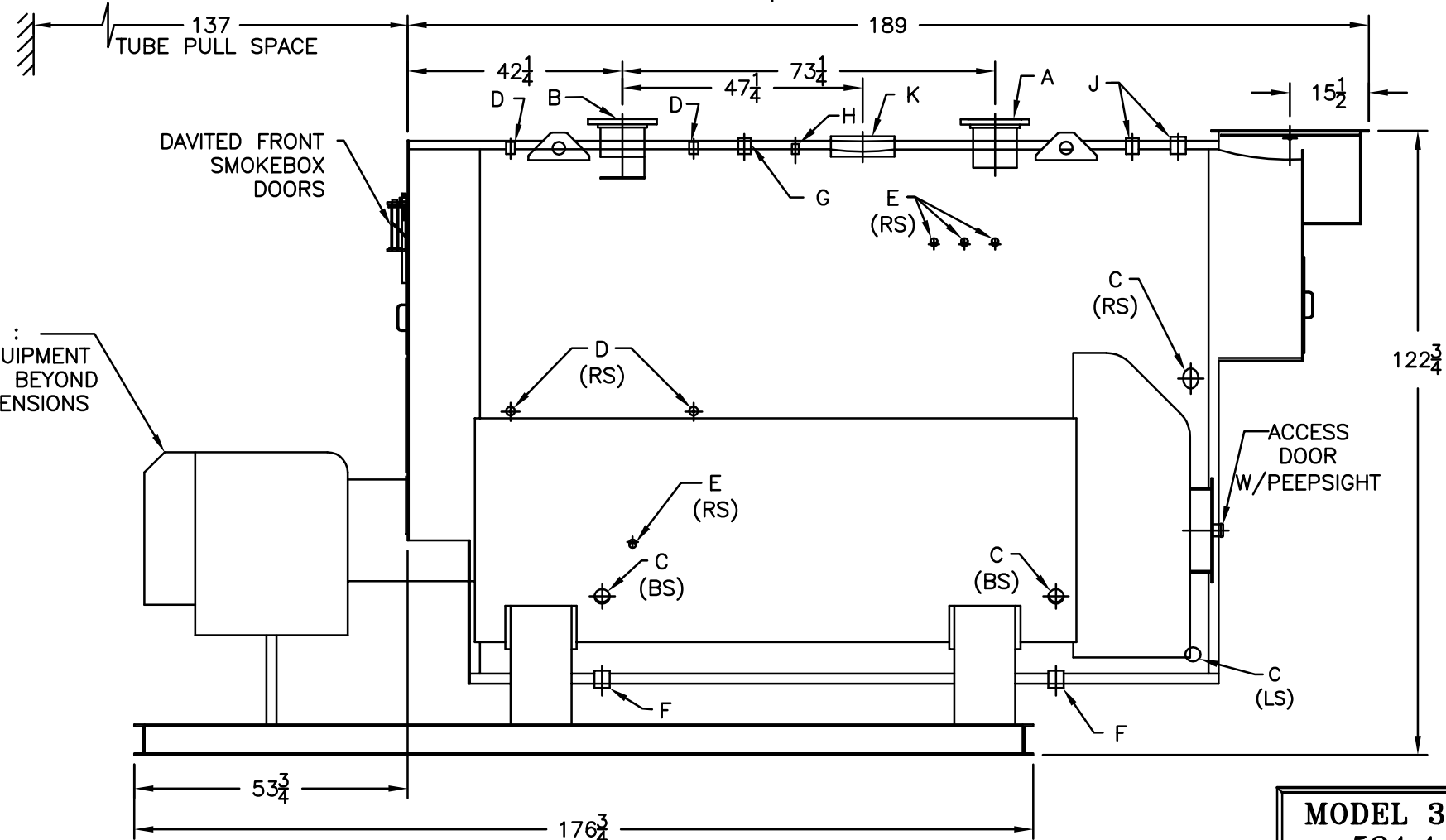
Water Content
 Pounds - 24816
 Gallons (U.S.) - 2979
 Approximate Weight/LBS.
 Dry - 31500
 Wet - 56316

LEGEND

- BS = BOTH SIDES
- RS = RIGHT SIDE
- LS = LEFT SIDE



NOTE :
 BURNER EQUIPMENT
 MAY EXTEND BEYOND
 BOILER DIMENSIONS



MODEL 3PW-500
524.4 BHP
125 PSI WATER

SPECIFICATIONS SUBJECT TO CHANGE WITHOUT NOTICE ALL CONNECTIONS ARE THREADED UNLESS OTHERWISE SPECIFIED
 THIS DOCUMENT CONTAINS CONFIDENTIAL INFORMATION WHICH IS THE PROPERTY OF BURNHAM COMMERCIAL. THIS DOCUMENT MAY NOT BE REPRODUCED, TRANSFERRED OR USED, OR ITS CONTENTS DISCLOSED, WITHOUT THE WRITTEN PERMISSION OF THE OWNER.