

# BURNHAM®

## Commercial Boilers

### RATINGS AND DATA

Shell Diameter : 102"  
 Gross Output - BHP : 637.5  
 Gross Output - MBH : 21340  
 Net Rating - MBH : 18557  
 Safety Valve - MBH : 24000

Heating Surface - Sq. Ft.  
 Fireside - 3000  
 Firetubes  
 Number - 362  
 Diameter - 2.5" O.D.

Firing Rate  
 1000 BTU Gas (MBH) - 25106  
 140,000 BTU/GAL Oil (GPH) - 172.6  
 150,000 BTU/GAL Oil (GPH) - 161.1

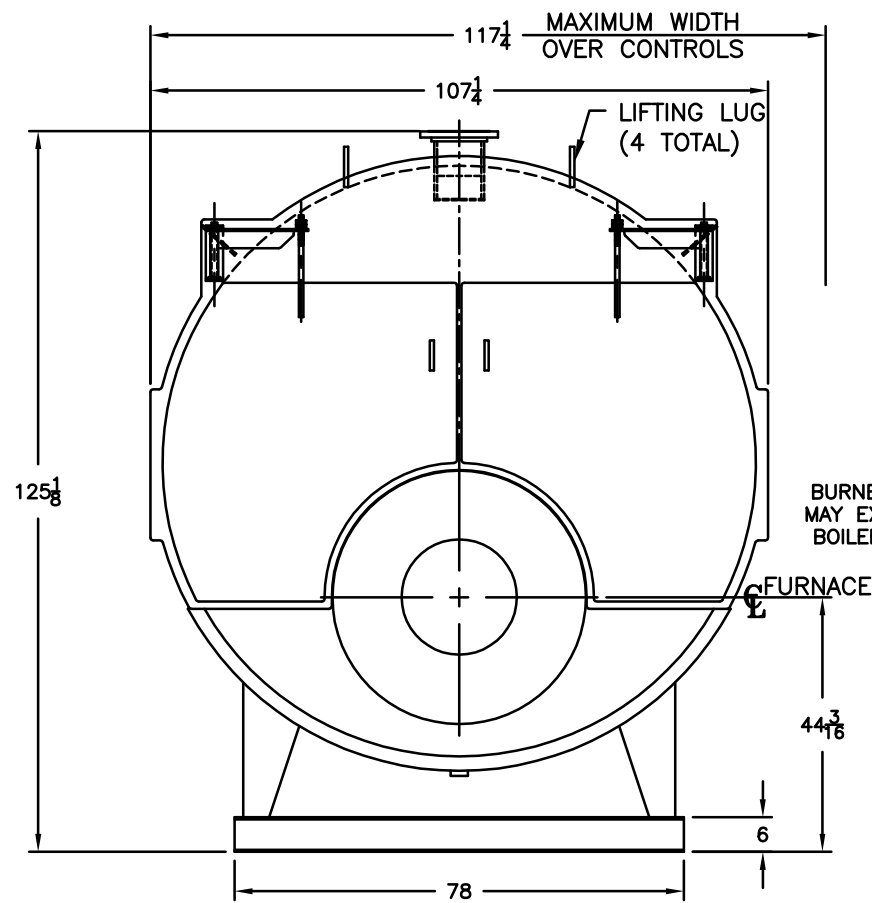
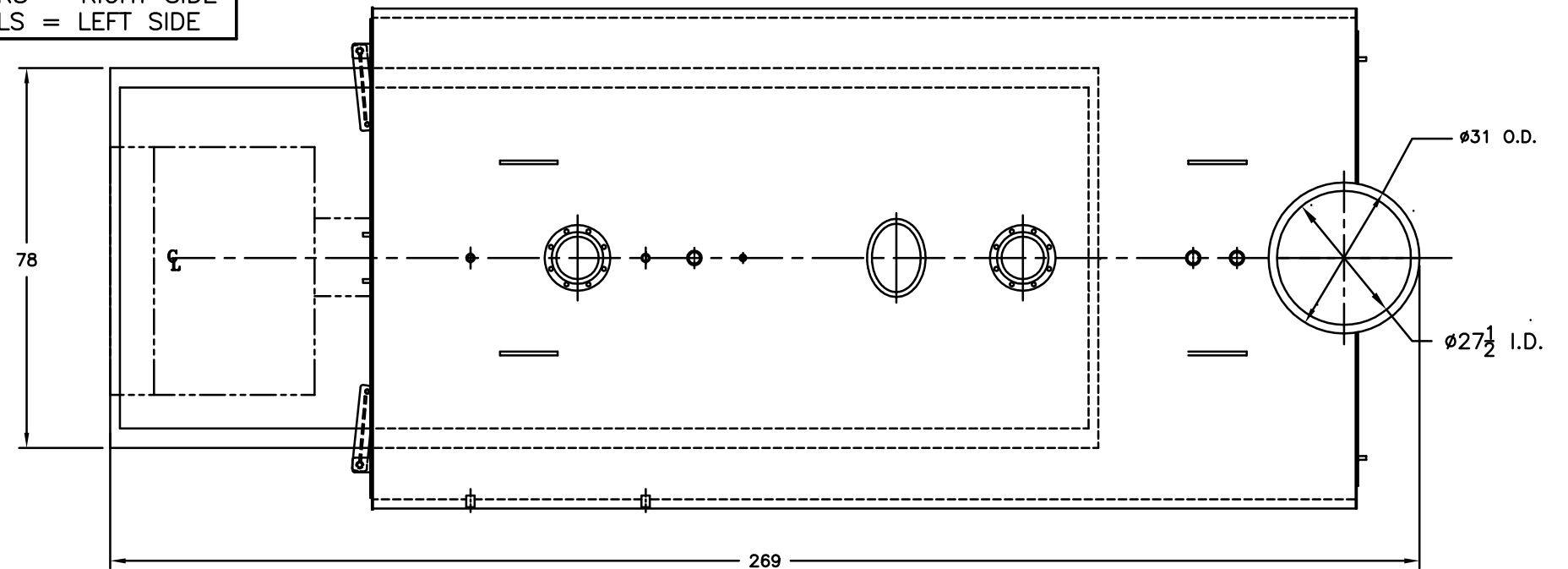
Water Content  
 Pounds - 29436  
 Gallons (U.S.) - 3534  
 Approximate Weight/LBS.  
 Dry - 36200  
 Wet - 65636

### LEGEND

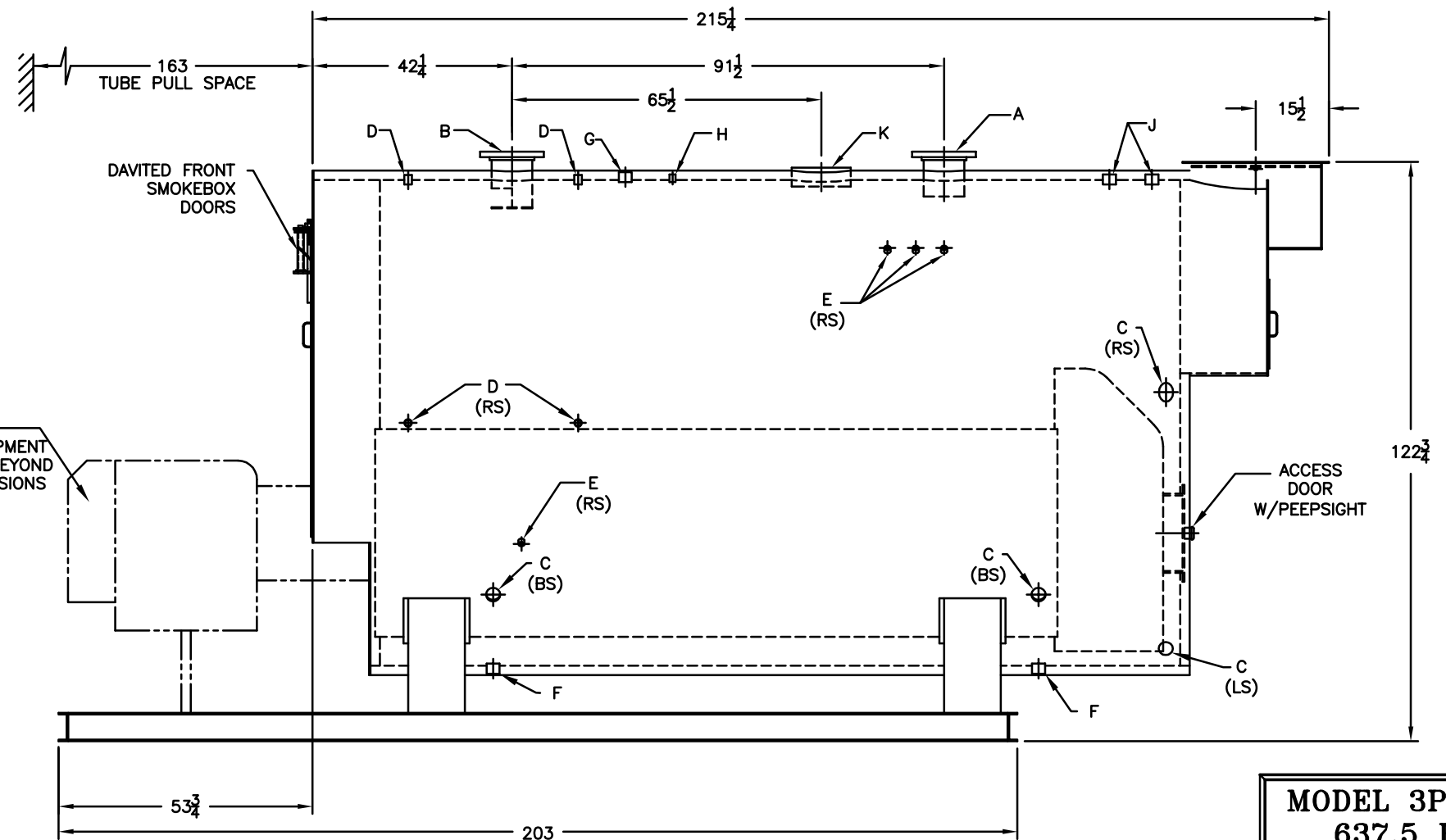
BS = BOTH SIDES  
 RS = RIGHT SIDE  
 LS = LEFT SIDE

### LEGEND CONNECTIONS

- A = 8" FLANGED SUPPLY (150#)
- B = 8" FLANGED RETURN (150#)
- C = 3" x 4" HANDHOLE
- D = 1" WATER COLUMN
- E = 3/4" AQUASTAT
- F = 2" BOTTOM DRAIN
- G = 2" AUXILIARY CONNECTION
- H = 3/4" TEMPERATURE GAUGE
- J = 2" RELIEF VALVE
- 1-1/2" RELIEF VALVE
- K = 12" x 16" MANHOLE
- L = 28" NOMINAL FLUE DIAMETER



NOTE :  
 BURNER EQUIPMENT  
 MAY EXTEND BEYOND  
 BOILER DIMENSIONS



**MODEL 3PW-600**  
**637.5 BHP**  
**125 PSI WATER**

SPECIFICATIONS SUBJECT TO CHANGE WITHOUT NOTICE ALL CONNECTIONS ARE THREADED UNLESS OTHERWISE SPECIFIED  
 THIS DOCUMENT CONTAINS CONFIDENTIAL INFORMATION WHICH IS THE PROPERTY OF BURNHAM COMMERCIAL. THIS DOCUMENT MAY NOT BE REPRODUCED, TRANSFERRED OR USED, OR ITS CONTENTS DISCLOSED, WITHOUT THE WRITTEN PERMISSION OF THE OWNER.