

BURNHAM®

Commercial Boilers

RATINGS AND DATA

Shell Diameter : 102"
 Gross Output - BHP : 749.9
 Gross Output - MBH : 25102
 Net Rating - MBH : 21828
 Safety Valve - MBH : 28000

LEGEND CONNECTIONS

- A = 10" FLANGED SUPPLY (150#)
- B = 10" FLANGED RETURN (150#)
- C = 3" x 4" HANDHOLE
- D = 1" WATER COLUMN
- E = 3/4" AQUASTAT
- F = 2" BOTTOM DRAIN
- G = 2" AUXILIARY CONNECTION
- H = 3/4" TEMPERATURE GAUGE
- J = 1-1/2" RELIEF VALVE (1)
2" RELIEF VALVE (1)
- K = 12" x 16" MANHOLE
- L = 28" NOMINAL FLUE DIAMETER

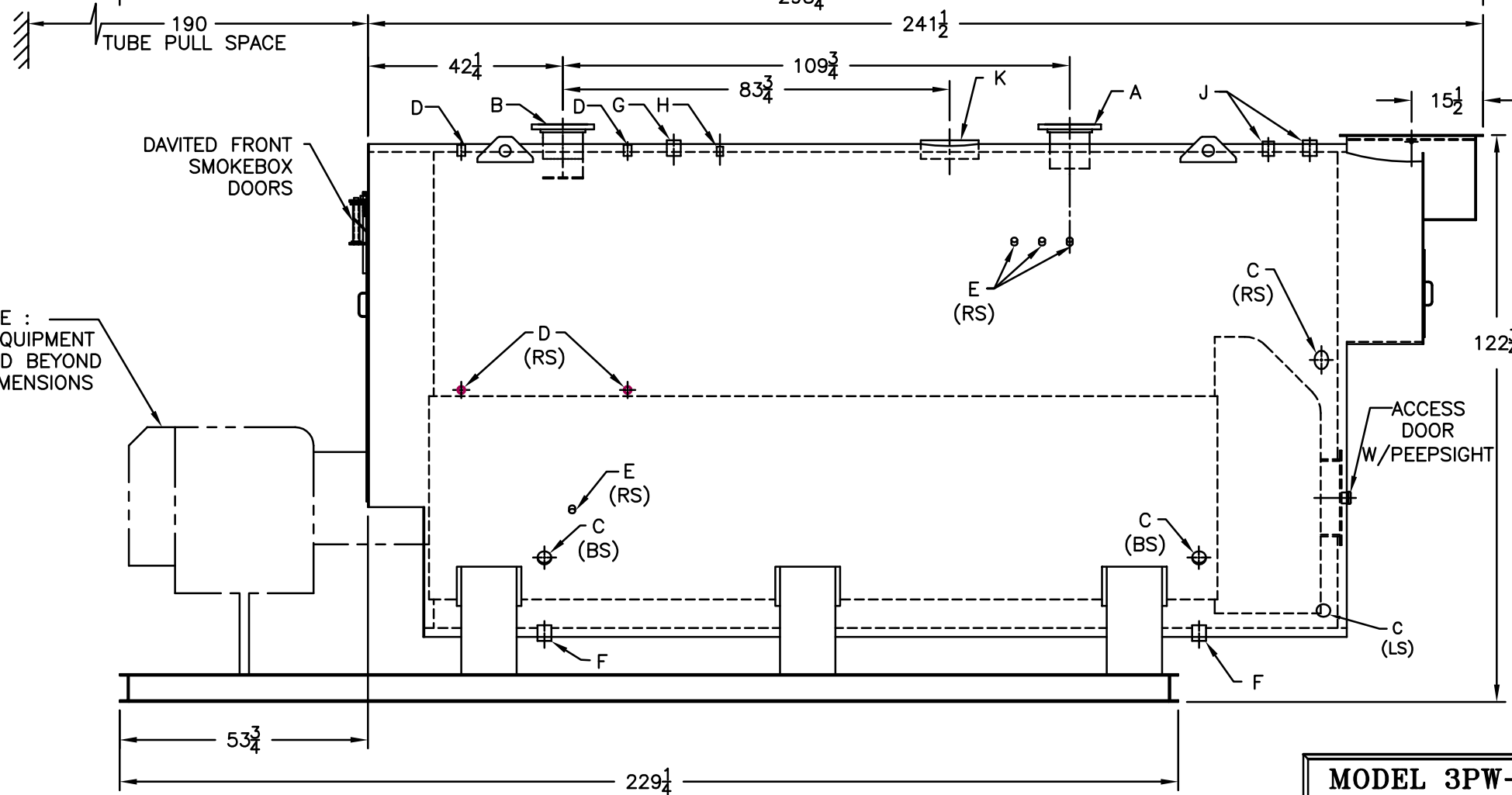
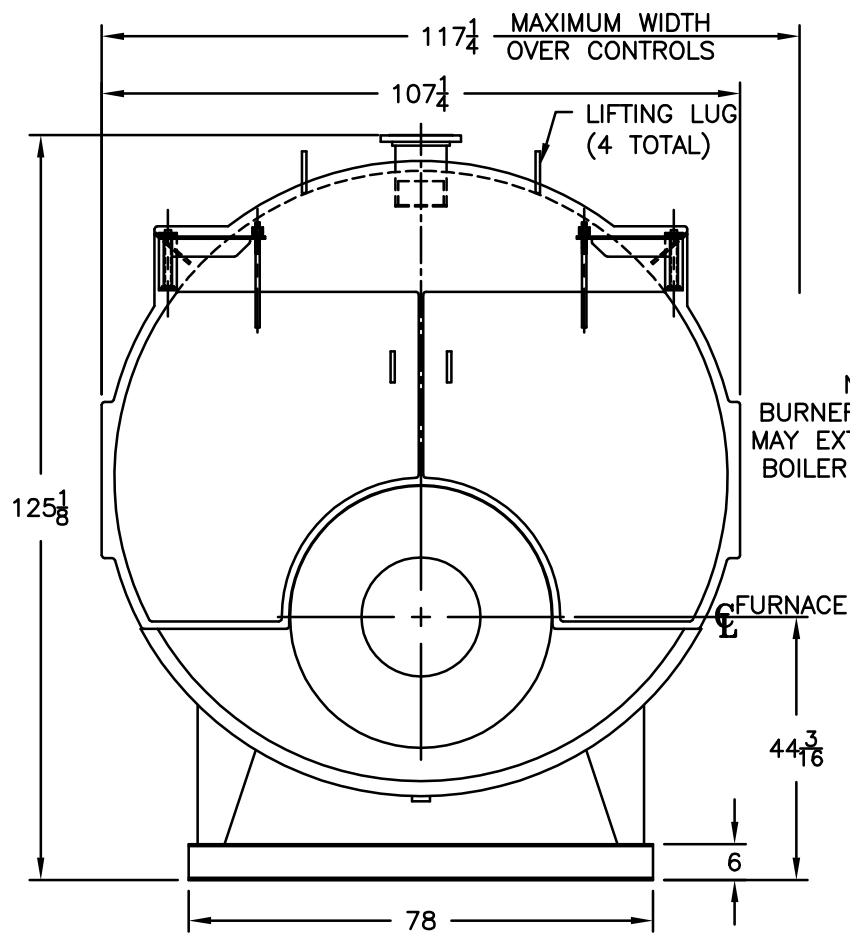
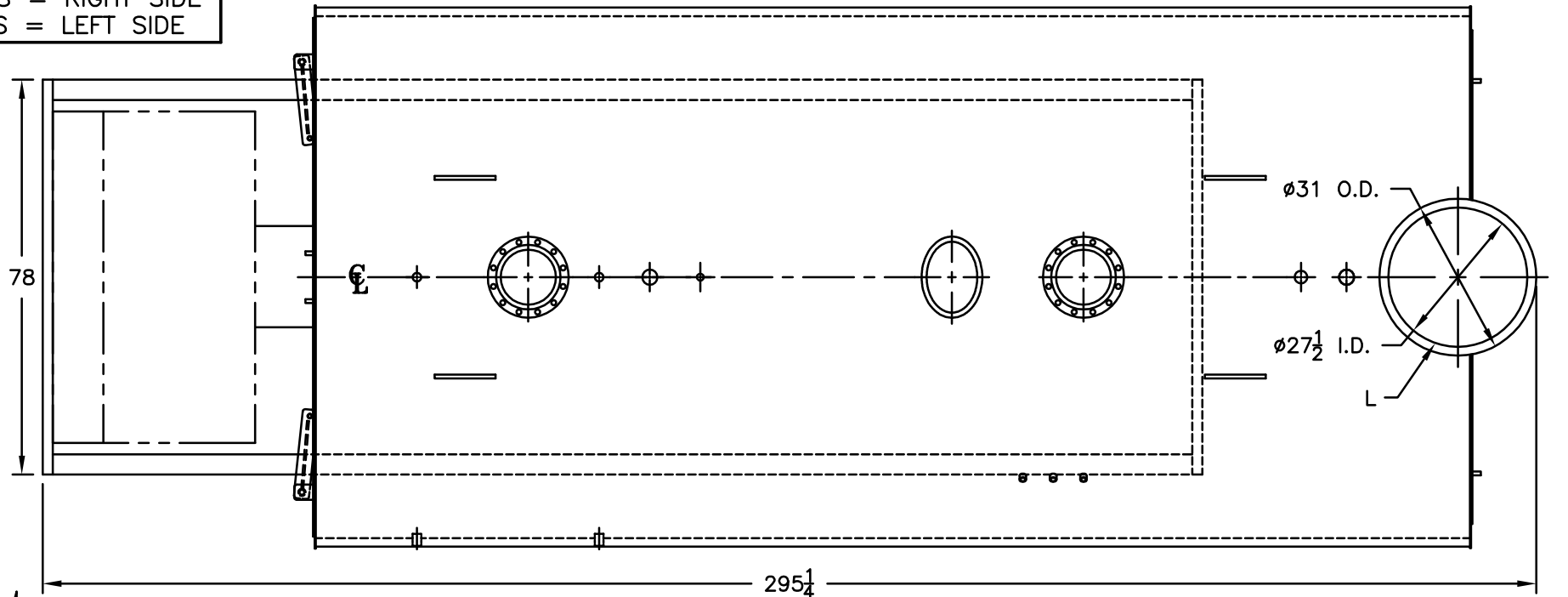
Heating Surface - Sq. Ft.
 Fireside - 3500
 Firetubes
 Number - 362
 Diameter - 2.5" O.D.

Firing Rate
 1000 BTU Gas (MBH) - 29291
 140000 BTU/Gal Oil (GPH) - 201.7
 150000 BTU/Gal Oil (GPH) - 188.3

Water Content
 Pounds - 34056
 Gallons (U.S.) - 4088
 Approximate Weight/LBS.
 Dry - 40900
 Wet - 74956

LEGEND

BS = BOTH SIDES
 RS = RIGHT SIDE
 LS = LEFT SIDE



SPECIFICATIONS SUBJECT TO CHANGE WITHOUT NOTICE ALL CONNECTIONS ARE THREADED UNLESS OTHERWISE SPECIFIED
 THIS DOCUMENT CONTAINS CONFIDENTIAL INFORMATION WHICH IS THE PROPERTY OF BURNHAM COMMERCIAL. THIS DOCUMENT MAY NOT BE REPRODUCED, TRANSFERRED OR USED, OR ITS CONTENTS DISCLOSED, WITHOUT THE WRITTEN PERMISSION OF THE OWNER.

MODEL 3PW-700
749.9 BHP
125 PSI WATER