

BURNHAM®

Commercial Boilers

RATINGS AND DATA

Shell Diameter : 66"
 Gross Output - BHP : 128
 Gross Output - MBH : 4283
 Net Rating - MBH : 3725
 Relief Valve - MBH : 5000

Heating Surface - Sq. Ft.
 Fireside - 625

Firetubes
 Number - 182
 Diameter - 2" O.D.

Firing Rate
 1000 BTU Gas (MBH) - 5230
 140000 BTU/Gal Oil (GPH) - 35.7
 150000 BTU/Gal Oil (GPH) - 33.3

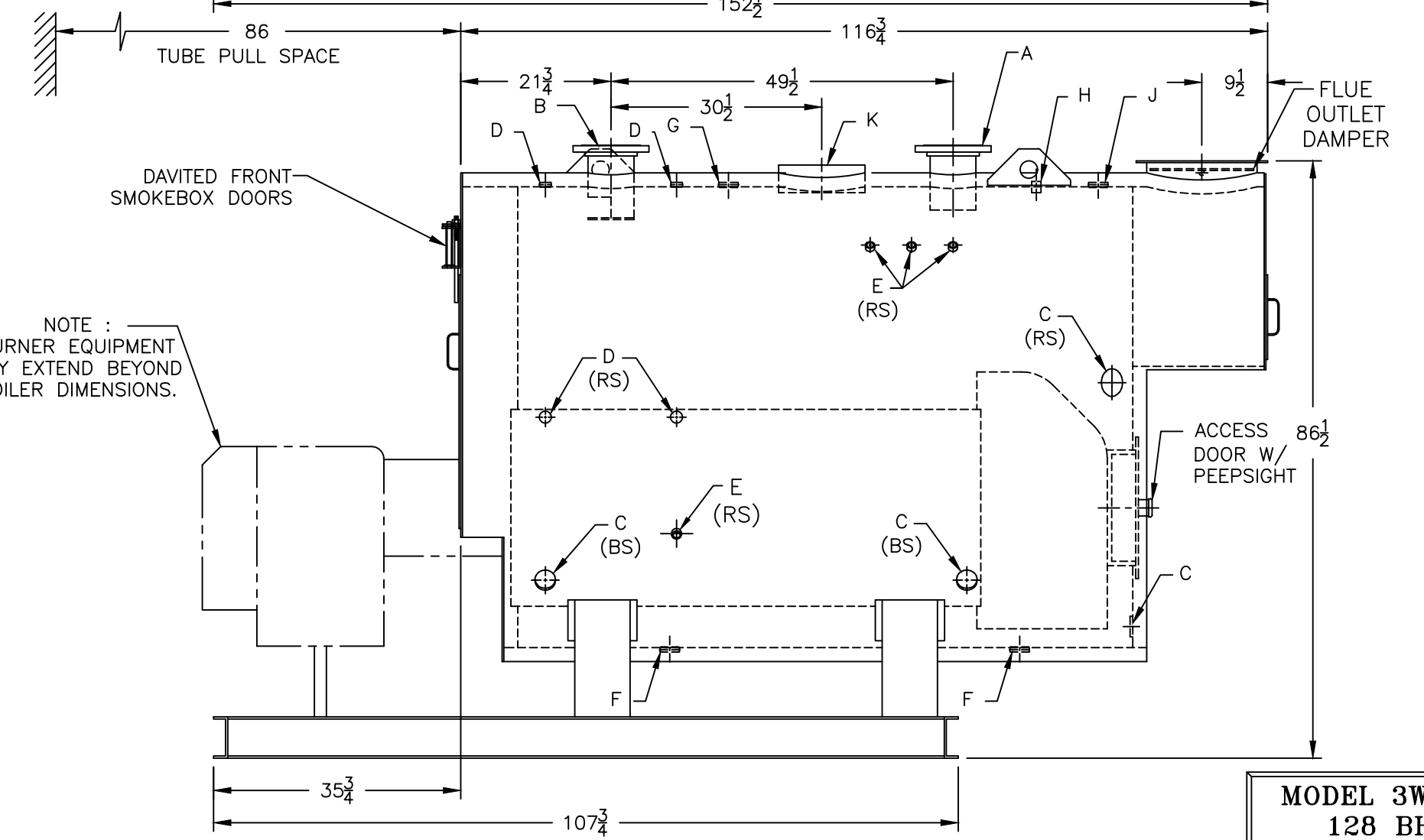
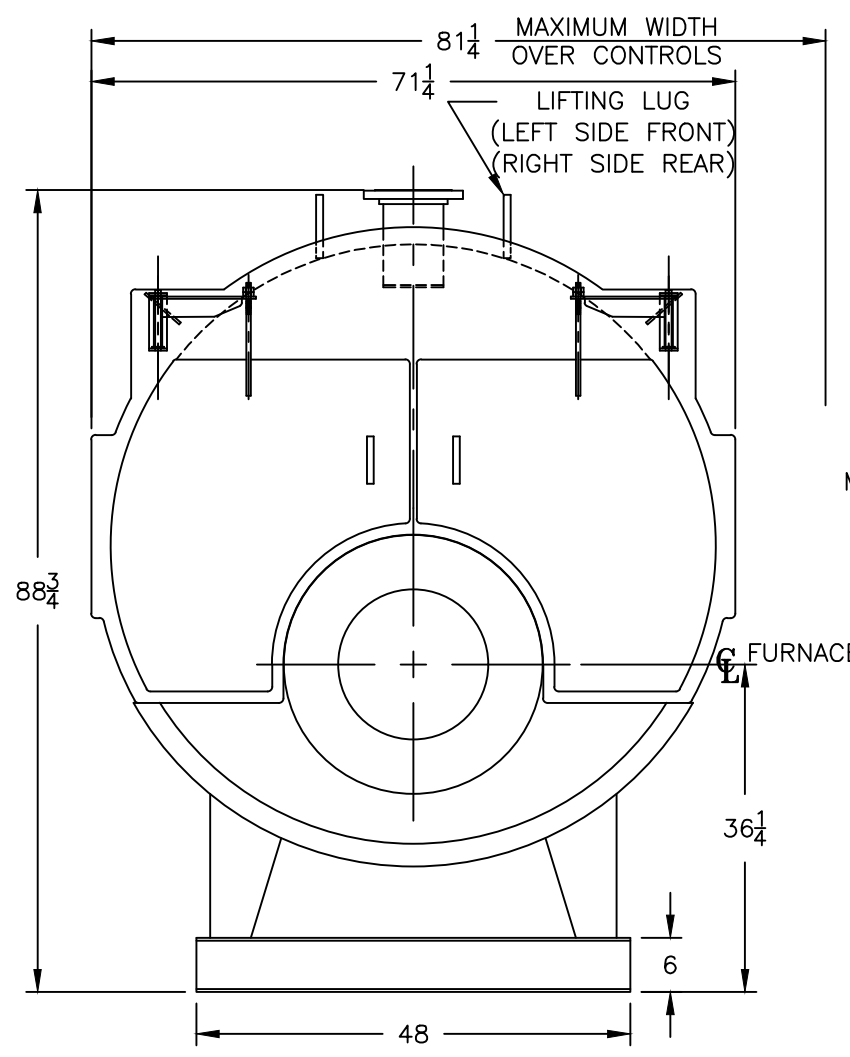
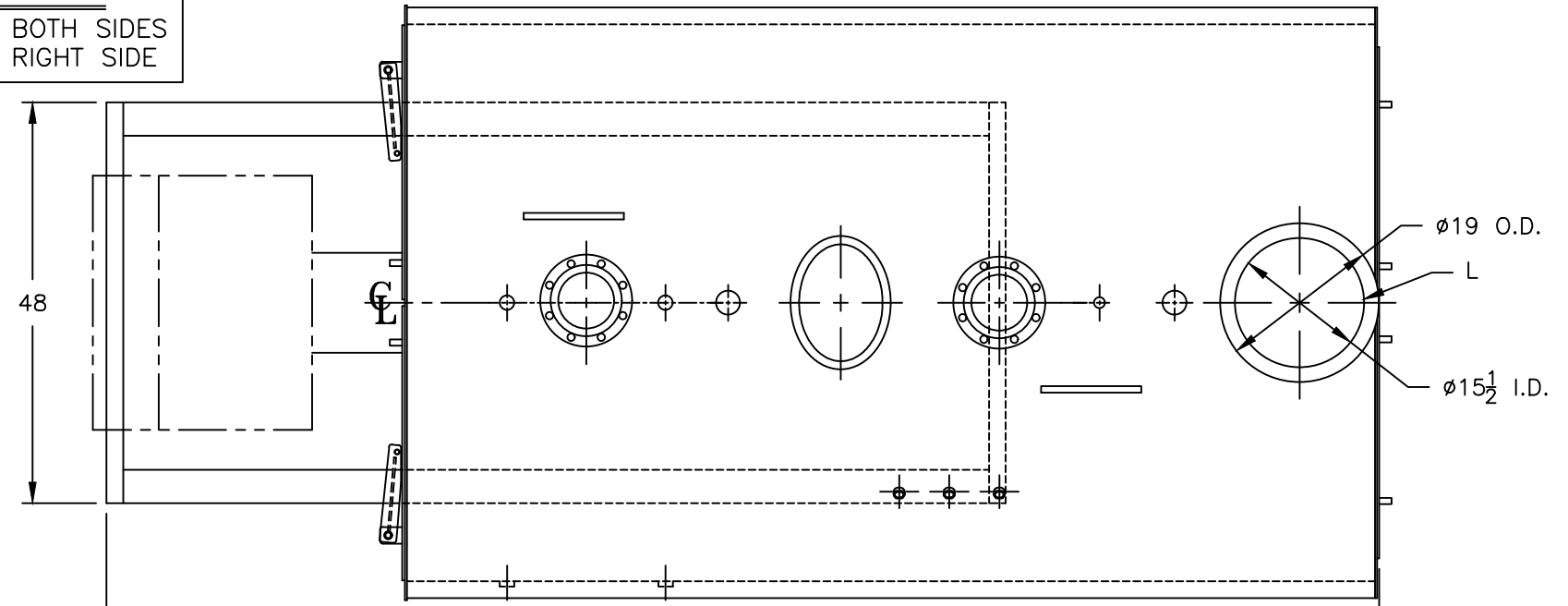
Water Content
 Pounds - 6560
 Gallons (U.S.) - 786
 Approximate Weight/LBS.
 Dry - 8700
 Wet - 15260

LEGEND CONNECTIONS

- A = 6" FLANGED SUPPLY (150#)
- B = 6" FLANGED RETURN (150#)
- C = 3" x 4" HANDHOLE
- D = 1" WATER COLUMN
- E = 3/4" AQUASTAT
- F = 2" BOTTOM BLOWDOWN
- G = 2" EXPANSION TANK
- H = 3/4" TEMPERATURE GAUGE
- J = 2" SAFETY/RELIEF VALVE
- K = 12" x 16" MANHOLE
- L = 16" NOMINAL FLUE DIAMETER

LEGEND

- BS = BOTH SIDES
- RS = RIGHT SIDE



NOTE :
 BURNER EQUIPMENT
 MAY EXTEND BEYOND
 BOILER DIMENSIONS.

MODEL 3W-125
128 BHP
30 PSI WATER

SPECIFICATIONS SUBJECT TO CHANGE WITHOUT NOTICE ALL CONNECTIONS ARE THREADED UNLESS OTHERWISE SPECIFIED
 THIS DOCUMENT CONTAINS CONFIDENTIAL INFORMATION WHICH IS THE PROPERTY OF BURNHAM COMMERCIAL. THIS DOCUMENT MAY NOT BE REPRODUCED, TRANSFERRED OR USED, OR ITS CONTENTS DISCLOSED, WITHOUT THE WRITTEN PERMISSION OF THE OWNER.