

BURNHAM®

Commercial Boilers

RATINGS AND DATA

Shell Diameter : 66"
 Gross Output - BHP : 213
 Gross Output - MBH : 7130
 Net Rating - MBH : 6200
 Relief Valve - MBH : 8000

Heating Surface - Sq. Ft.
 Fireside - 1000

Firetubes
 Number - 182
 Diameter - 2" O.D.

Firing Rate
 1000 BTU Gas (MBH) - 8369
 140000 BTU/Gal Oil (GPH) - 57.6
 150000 BTU/Gal Oil (GPH) - 53.8

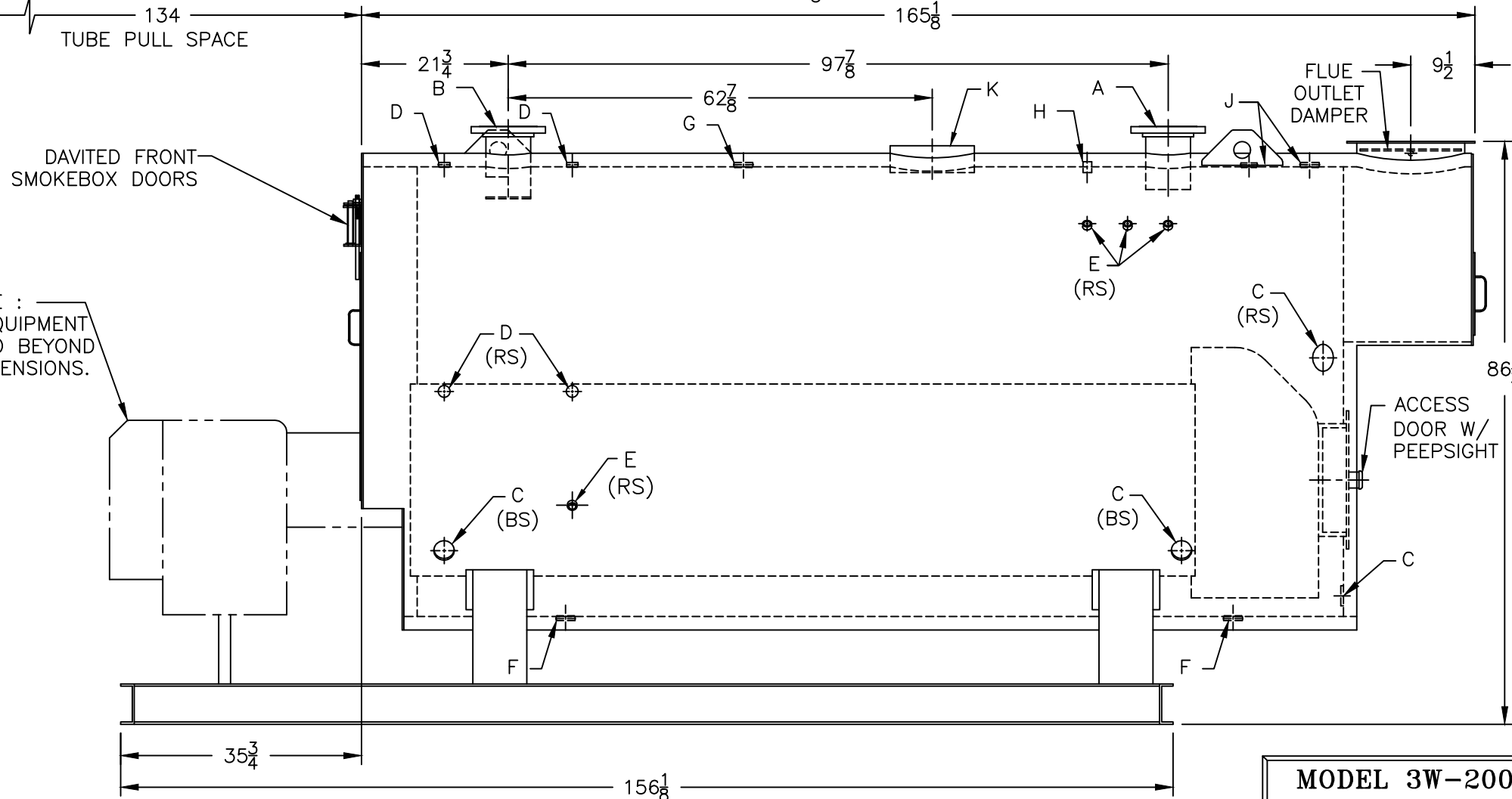
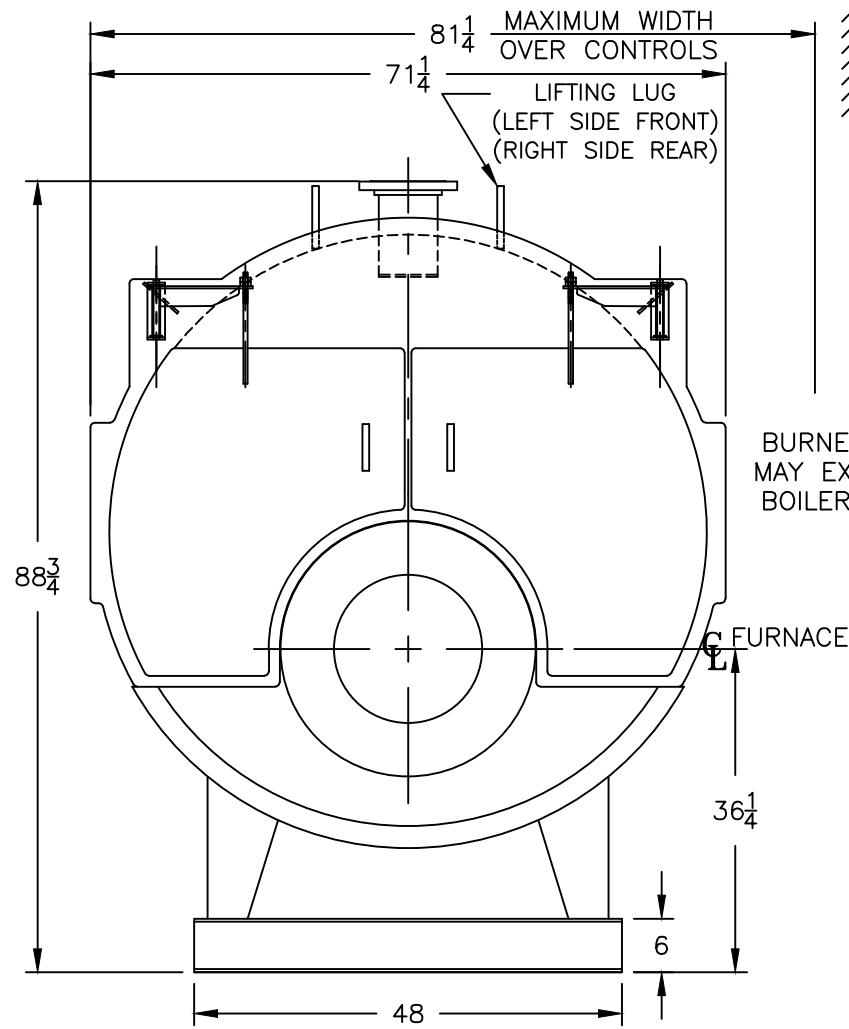
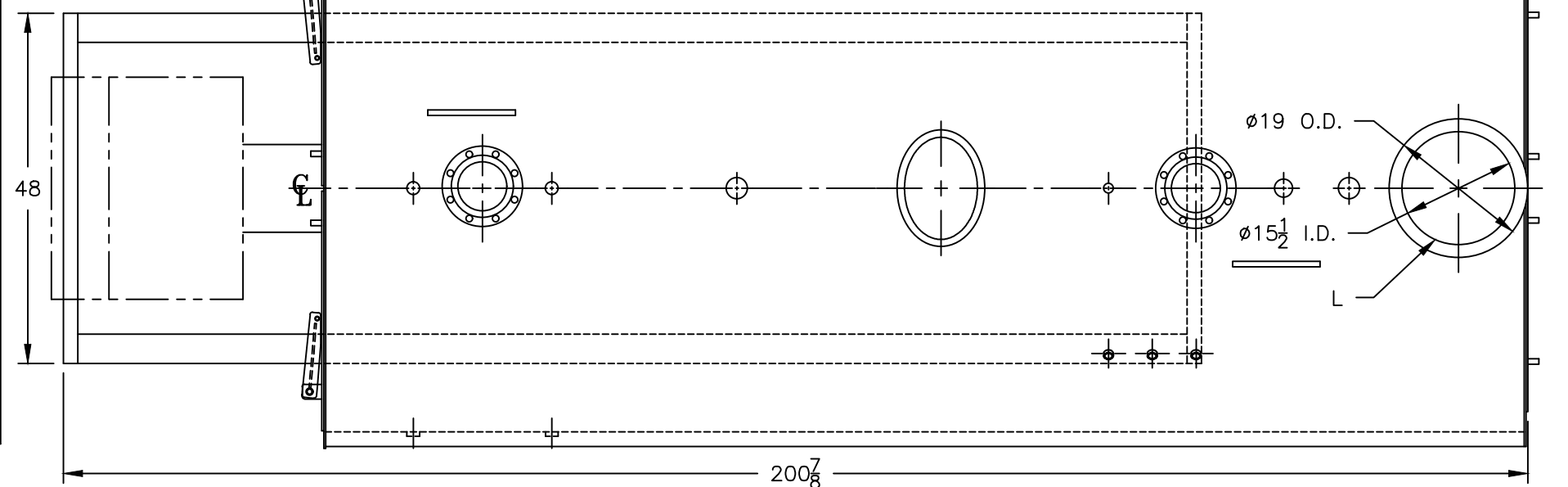
Water Content
 Pounds - 10243
 Gallons (U.S.) - 1250
 Approximate Weight/LBS.
 Dry - 12300
 Wet - 22543

LEGEND CONNECTIONS

- A = 6" FLANGED SUPPLY (150#)
- B = 6" FLANGED RETURN (150#)
- C = 3" x 4" HANDHOLE
- D = 1" WATER COLUMN
- E = 3/4" AQUASTAT
- F = 2" BOTTOM BLOWDOWN
- G = 2" EXPANSION TANK
- H = 3/4" TEMPERATURE GAUGE
- J = 1-1/2" SAFETY/RELIEF VALVE (1)
 2" SAFETY/RELIEF VALVE (1)
- K = 12" x 16" MANHOLE
- L = 16" NOMINAL FLUE DIAMETER

LEGEND

BS = BOTH SIDES
 RS = RIGHT SIDE



MODEL 3W-200
213 BHP
30 PSI WATER

SPECIFICATIONS SUBJECT TO CHANGE WITHOUT NOTICE ALL CONNECTIONS ARE THREADED UNLESS OTHERWISE SPECIFIED
 THIS DOCUMENT CONTAINS CONFIDENTIAL INFORMATION WHICH IS THE PROPERTY OF BURNHAM COMMERCIAL. THIS DOCUMENT MAY NOT BE REPRODUCED, TRANSFERRED OR USED, OR ITS CONTENTS DISCLOSED, WITHOUT THE WRITTEN PERMISSION OF THE OWNER.