

BURNHAM®

Commercial Boilers

RATINGS AND DATA

Shell Diameter : 78"
 Gross Output - BHP : 260.3
 Gross Output - MBH : 8714
 Net Rating - MBH : 7577
 Relief Valve - MBH : 10000

Heating Surface - Sq. Ft.
 Fireside - 1250

Firetubes
 Number - 186
 Diameter - 2.5" O.D.

Firing Rate
 1000 BTU Gas (MBH) - 10461
 140000 BTU/Gal Oil (GPH) - 71.7
 150000 BTU/Gal Oil (GPH) - 66.9

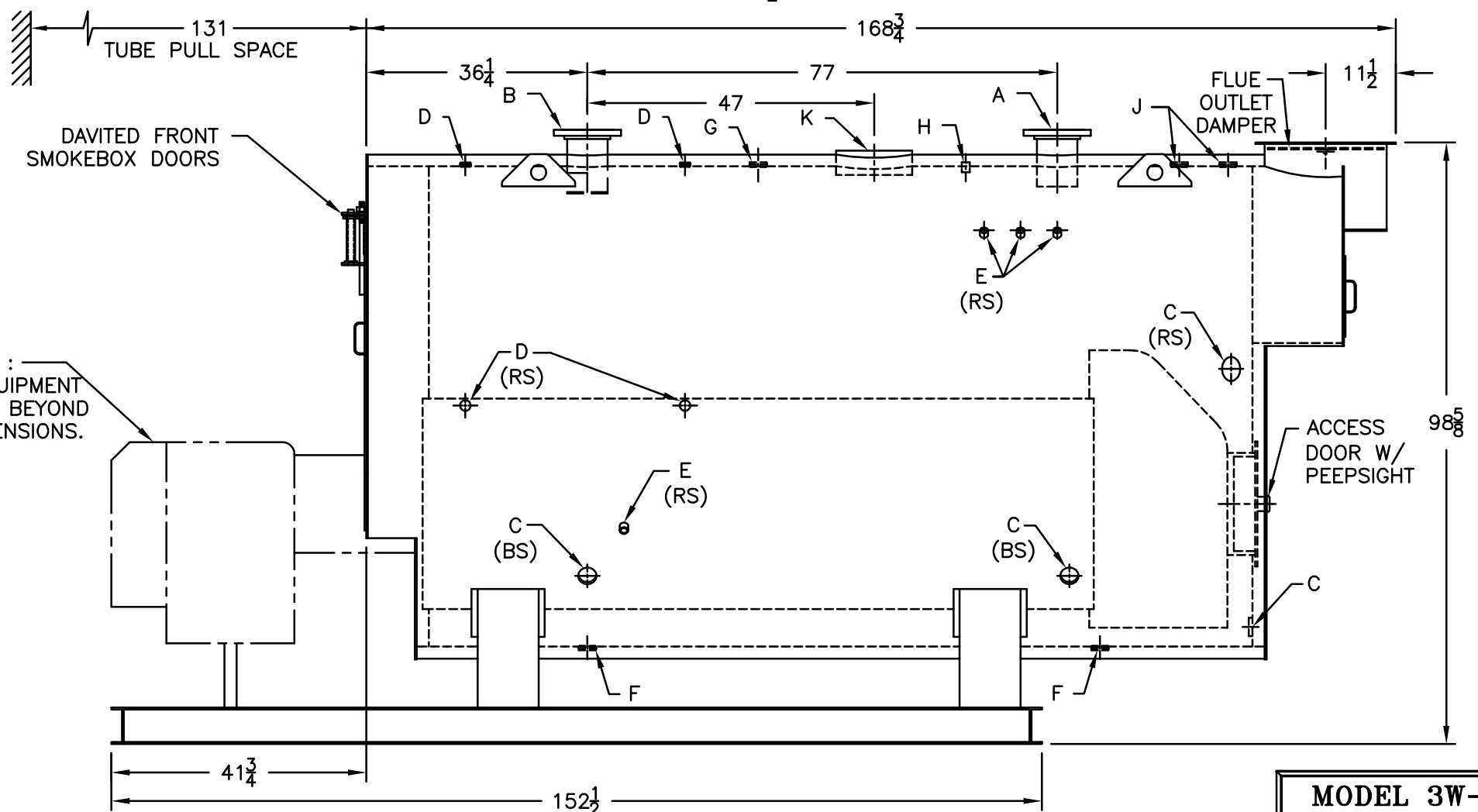
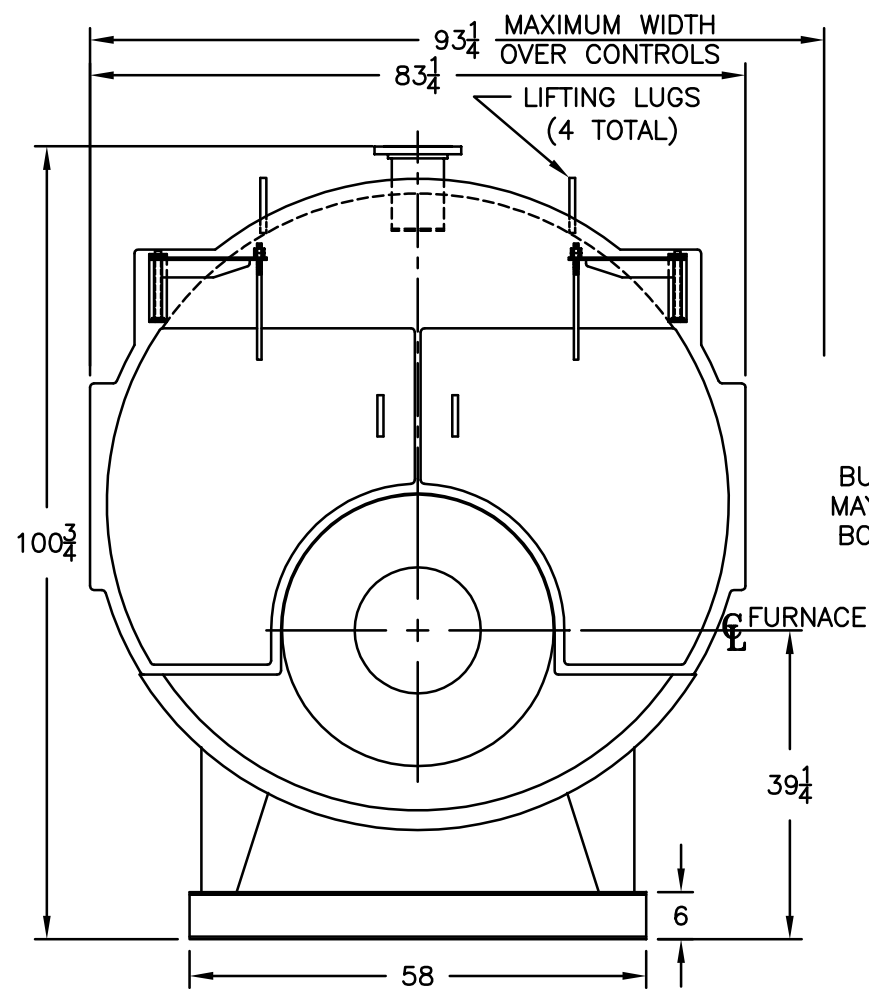
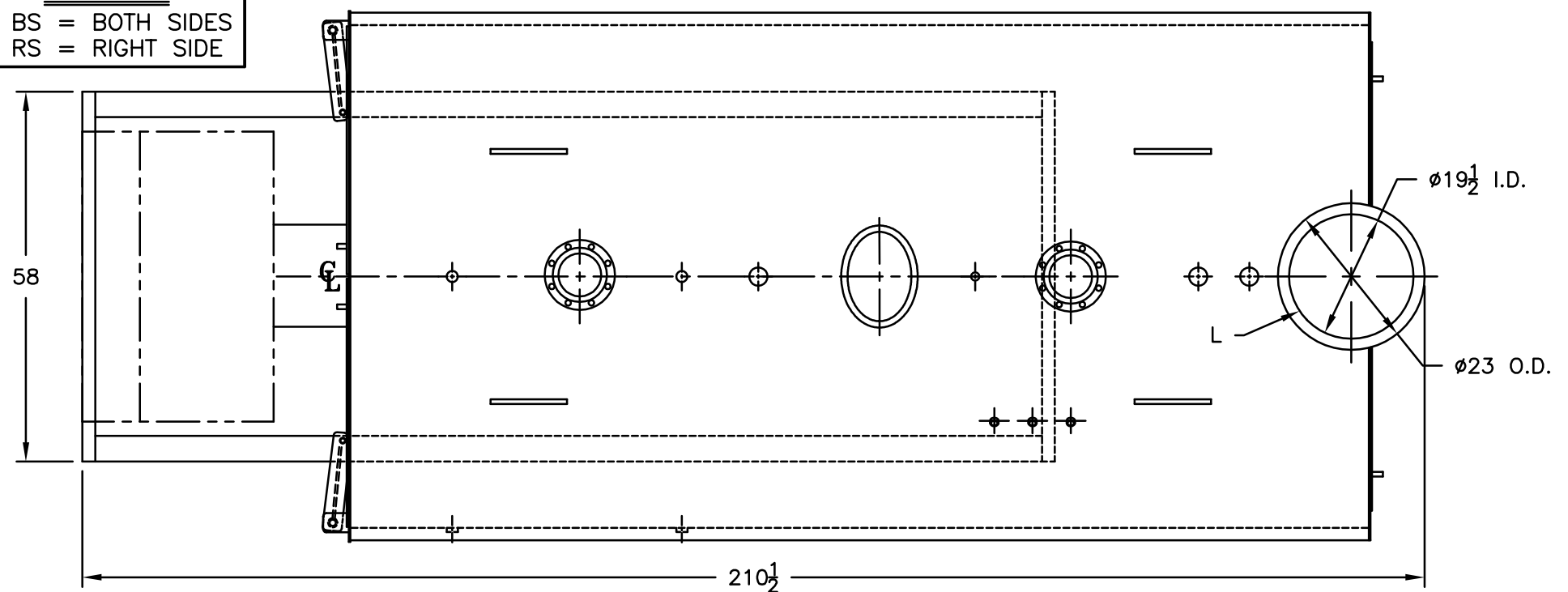
Water Content
 Pounds - 13548
 Gallons (U.S.) - 1626
 Approximate Weight/LBS.
 Dry - 15400
 Wet - 28948

LEGEND

BS = BOTH SIDES
 RS = RIGHT SIDE

LEGEND CONNECTIONS

- A = 6" FLANGED SUPPLY (150#)
- B = 6" FLANGED RETURN (150#)
- C = 3" x 4" HANDHOLE
- D = 1" WATER COLUMN
- E = 3/4" AQUASTAT
- F = 2" BOTTOM DRAIN
- G = 2" EXPANSION TANK
- H = 3/4" TEMPERATURE GAUGE
- J = 2" SAFETY/RELIEF VALVE (2)
- K = 12" x 16" MANHOLE
- L = 20" NOMINAL FLUE DIAMETER



SPECIFICATIONS SUBJECT TO CHANGE WITHOUT NOTICE ALL CONNECTIONS ARE THREADED UNLESS OTHERWISE SPECIFIED

THIS DOCUMENT CONTAINS CONFIDENTIAL INFORMATION WHICH IS THE PROPERTY OF BURNHAM COMMERCIAL. THIS DOCUMENT MAY NOT BE REPRODUCED, TRANSFERRED OR USED, OR ITS CONTENTS DISCLOSED, WITHOUT THE WRITTEN PERMISSION OF THE OWNER.

MODEL 3W-250
260.3 BHP
30 PSI WATER