

BURNHAM®

Commercial Boilers

LEGEND CONNECTIONS

- A = 8" FLANGED SUPPLY (150#)
- B = 8" FLANGED RETURN (150#)
- C = 3" x 4" HANDHOLE
- D = 1" WATER COLUMN
- E = 3/4" AQUASTAT
- F = 2" BOTTOM DRAIN
- G = 2" EXPANSION TANK
- H = 3/4" TEMPERATURE GAUGE
- J = 1" SAFETY/RELIEF VALVE (1)
- 2" SAFETY/RELIEF VALVE (2)
- K = 12" x 16" MANHOLE
- L = 20" NOMINAL FLUE DIAMETER

RATINGS AND DATA

Shell Diameter : 78"
 Gross Output - BHP : 316.9
 Gross Output - MBH : 10607
 Net Rating - MBH : 9224
 Relief Valve - MBH : 12000

Heating Surface - Sq. Ft.
 Fireside - 1500

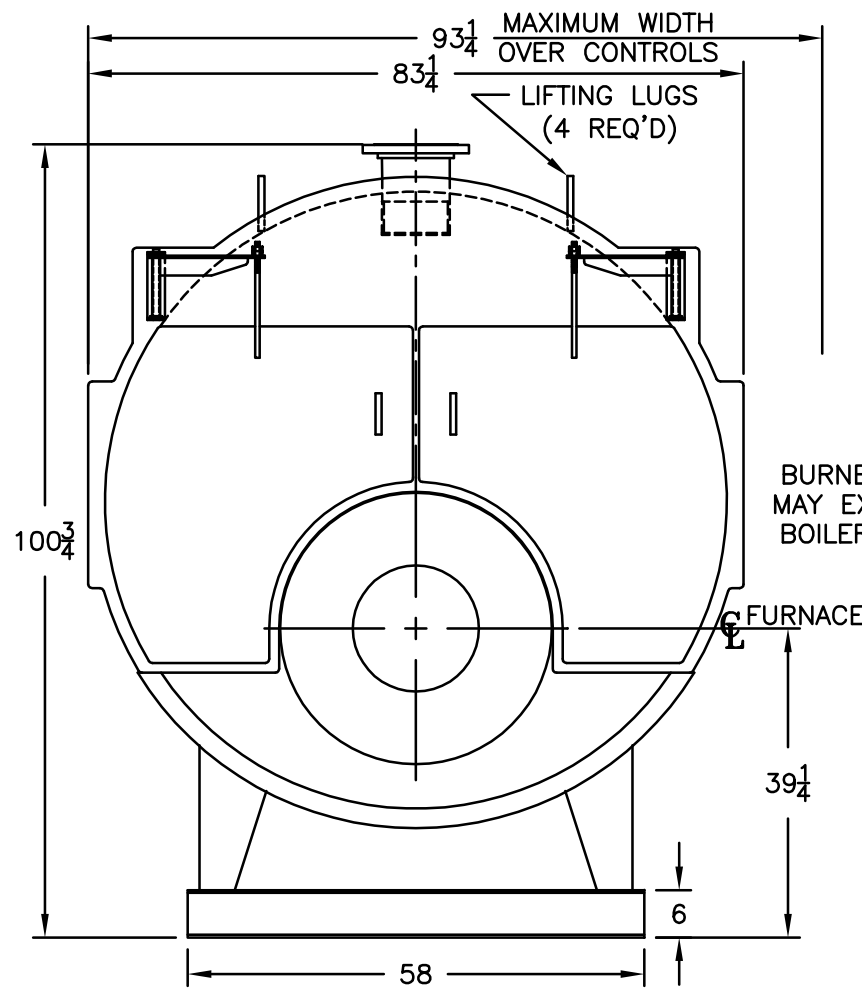
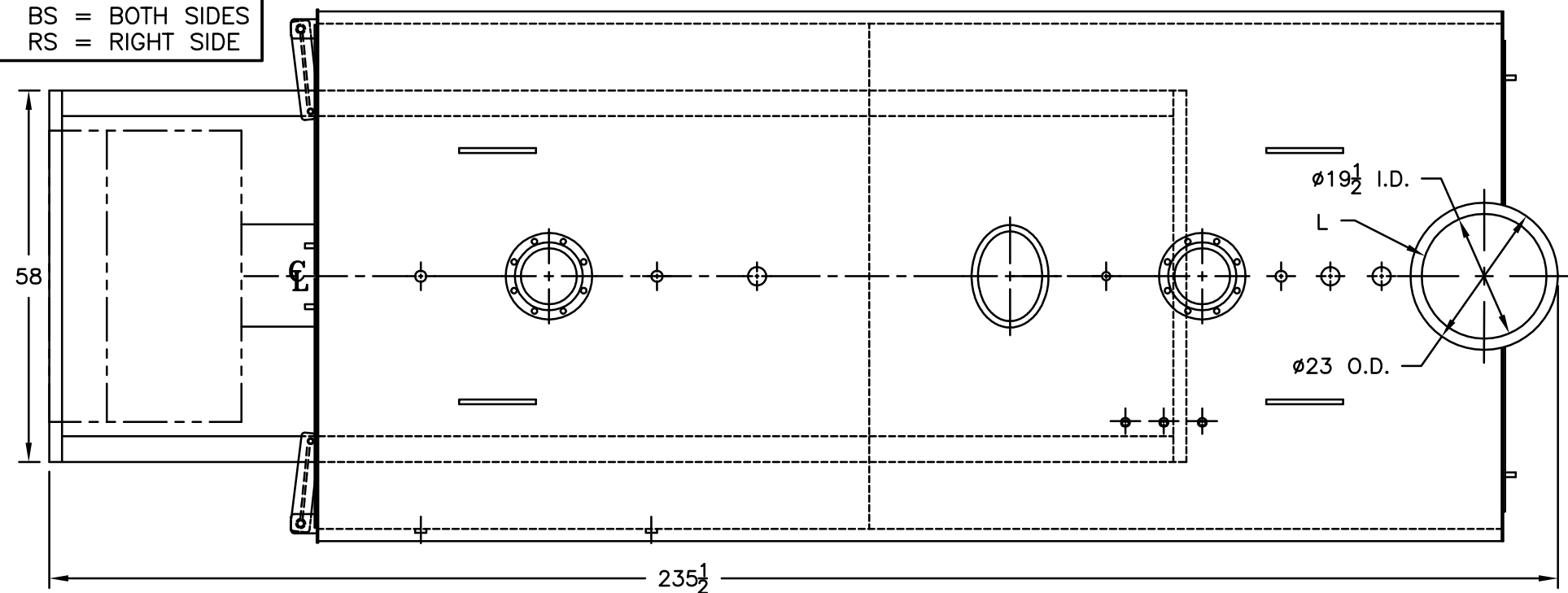
Firetubes
 Number - 186
 Diameter - 2.5" O.D.

Firing Rate
 1000 BTU Gas (MBH) - 12553
 140000 BTU/Gal Oil (GPH) - 86.3
 150000 BTU/Gal Oil (GPH) - 80.5

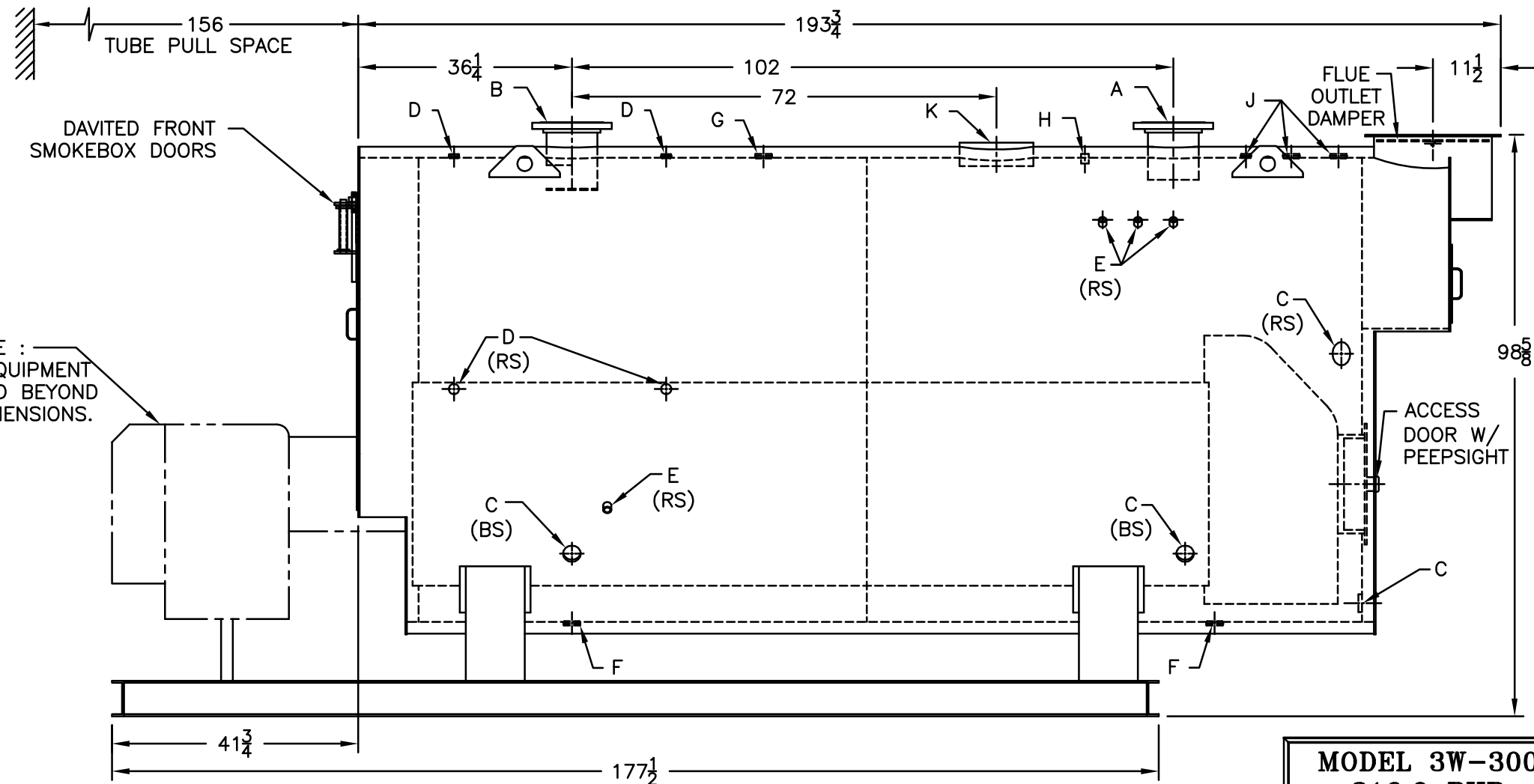
Water Content
 Pounds - 16194
 Gallons (U.S.) - 1944
 Approximate Weight/LBS.
 Dry - 18100
 Wet - 34294

LEGEND

BS = BOTH SIDES
 RS = RIGHT SIDE



NOTE :
 BURNER EQUIPMENT
 MAY EXTEND BEYOND
 BOILER DIMENSIONS.



MODEL 3W-300
316.9 BHP
30 PSI WATER

SPECIFICATIONS SUBJECT TO CHANGE WITHOUT NOTICE ALL CONNECTIONS ARE THREADED UNLESS OTHERWISE SPECIFIED
 THIS DOCUMENT CONTAINS CONFIDENTIAL INFORMATION WHICH IS THE PROPERTY OF BURNHAM COMMERCIAL. THIS DOCUMENT MAY NOT BE REPRODUCED, TRANSFERRED OR USED, OR ITS CONTENTS DISCLOSED, WITHOUT THE WRITTEN PERMISSION OF THE OWNER.