

BURNHAM®

Commercial Boilers

RATINGS AND DATA

Shell Diameter : 102"
 Gross Output - BHP : 749.9
 Gross Output - MBH : 25102
 Net Rating - MBH : 21828
 Relief Valve - MBH : 28000

Heating Surface - Sq. Ft.
 Fireside - 3500

Firetubes
 Number - 362
 Diameter - 2.5" O.D.

Firing Rate
 1000 BTU Gas (MBH) - 29291
 140000 BTU/Gal Oil (GPH) - 201.7
 150000 BTU/Gal Oil (GPH) - 188.3

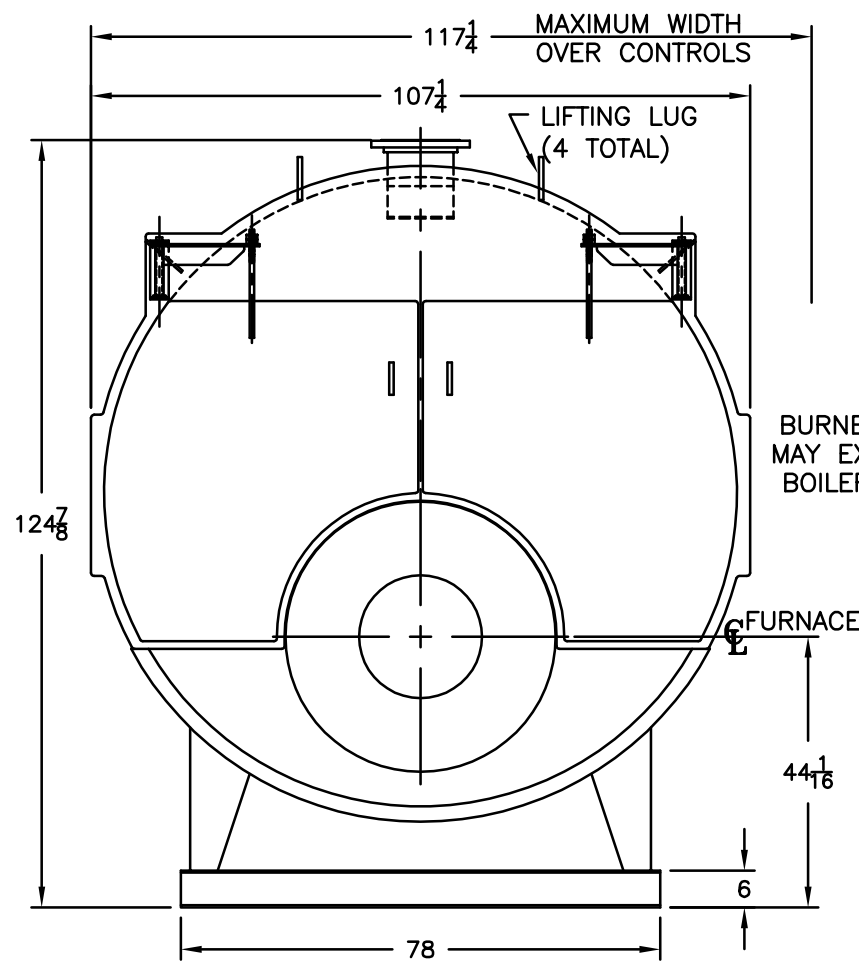
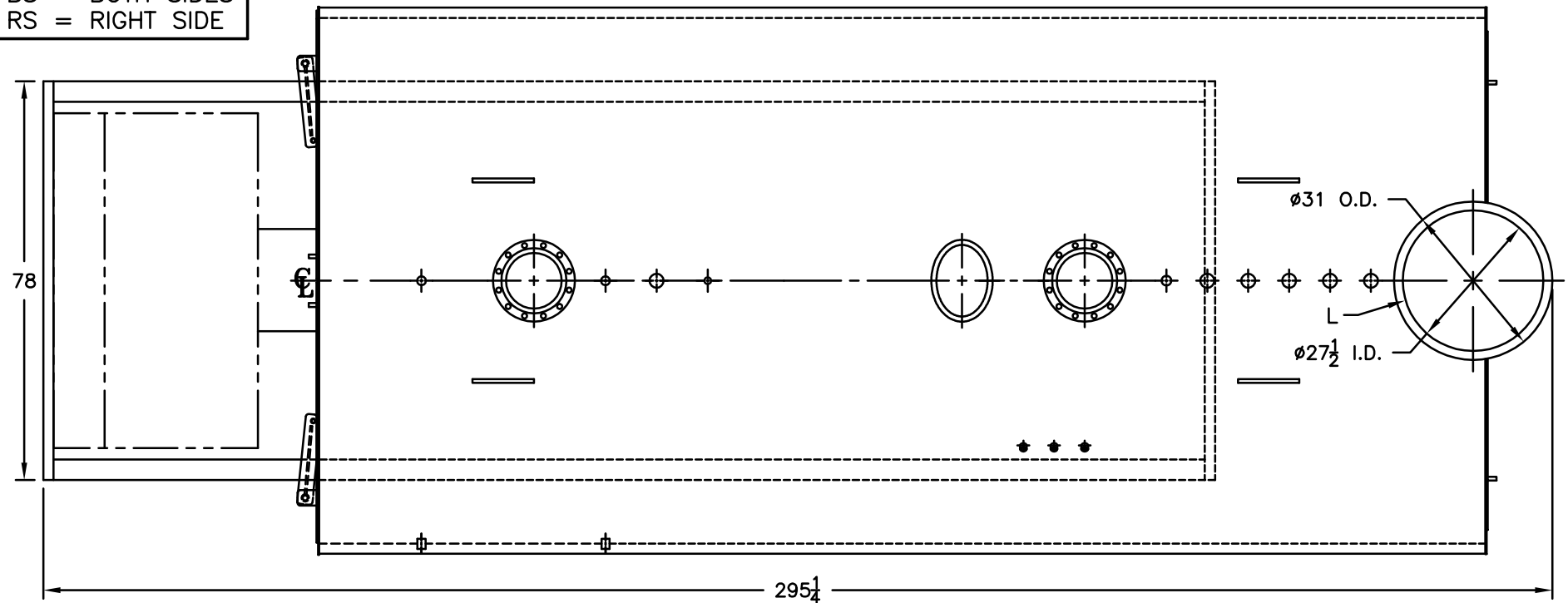
Water Content
 Pounds - 33004
 Gallons (U.S.) - 3962
 Approximate Weight/LBS.
 Dry - 35700
 Wet - 68704

LEGEND CONNECTIONS

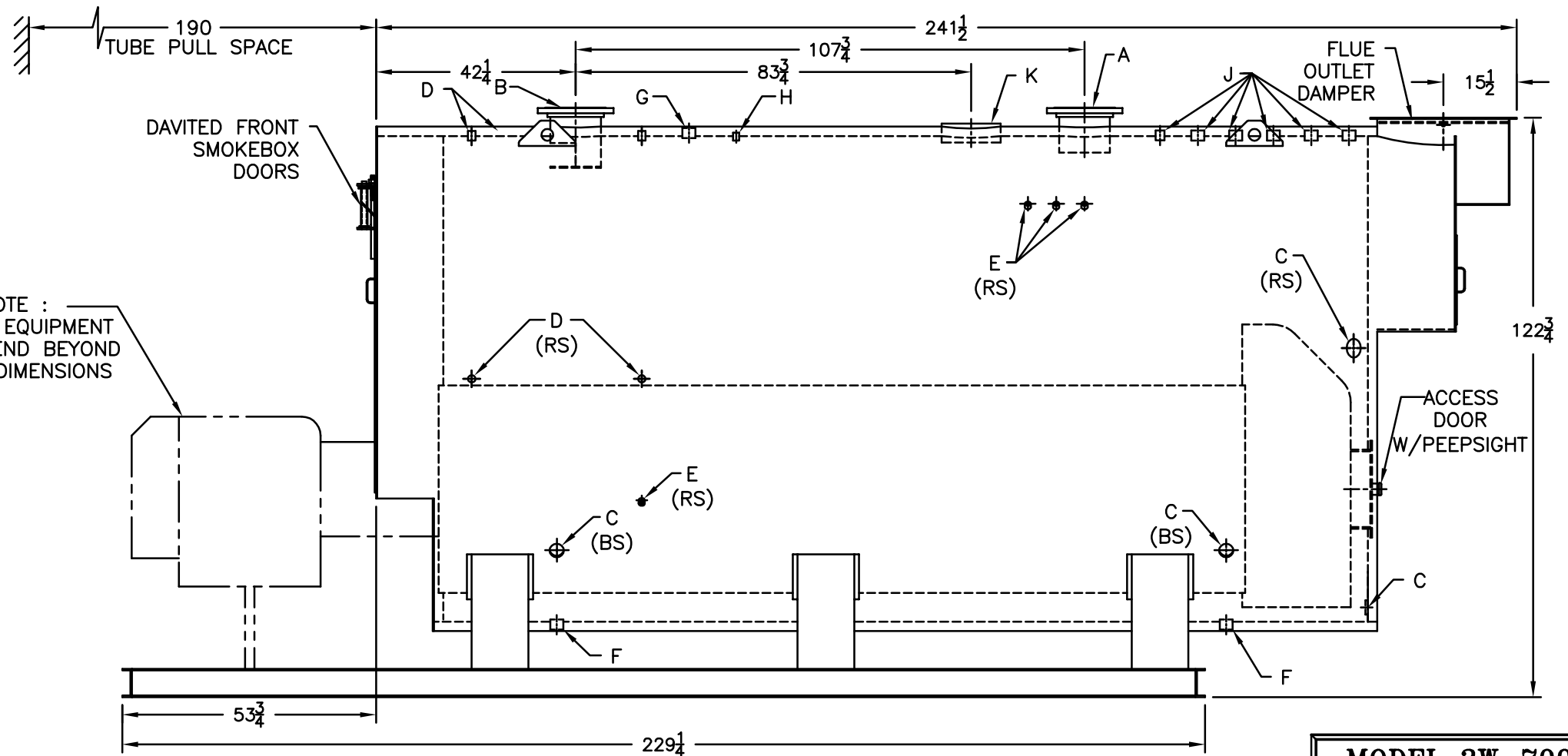
- A = 10" FLANGED SUPPLY (150#)
- B = 10" FLANGED RETURN (150#)
- C = 3" x 4" HANDHOLE
- D = 1" WATER COLUMN
- E = 3/4" AQUASTAT
- F = 2" DRAIN
- G = 2" AUXILIARY CONNECTION
- H = 3/4" TEMPERATURE GAUGE
- J = 2" SAFETY/RELIEF VALVE (5)
 1-1/4" SAFETY/RELIEF VALVE (1)
- K = 12" x 16" MANHOLE
- L = 28" NOMINAL FLUE DIAMETER

LEGEND

- BS = BOTH SIDES
- RS = RIGHT SIDE



NOTE :
 BURNER EQUIPMENT
 MAY EXTEND BEYOND
 BOILER DIMENSIONS



MODEL 3W-700
749.9 BHP
30 PSI WATER

SPECIFICATIONS SUBJECT TO CHANGE WITHOUT NOTICE ALL CONNECTIONS ARE THREADED UNLESS OTHERWISE SPECIFIED
 THIS DOCUMENT CONTAINS CONFIDENTIAL INFORMATION WHICH IS THE PROPERTY OF BURNHAM COMMERCIAL. THIS DOCUMENT MAY NOT BE REPRODUCED, TRANSFERRED OR USED, OR ITS CONTENTS DISCLOSED, WITHOUT THE WRITTEN PERMISSION OF THE OWNER.