

BURNHAM®

Commercial Boilers

RATINGS AND DATA

Shell Diameter : 32 $\frac{7}{8}$ "

Heating Surface - Sq. Ft.
 Fireside - 120
 Waterside - 127

Firetubes
 Number - 61
 Diameter - 2" O.D.

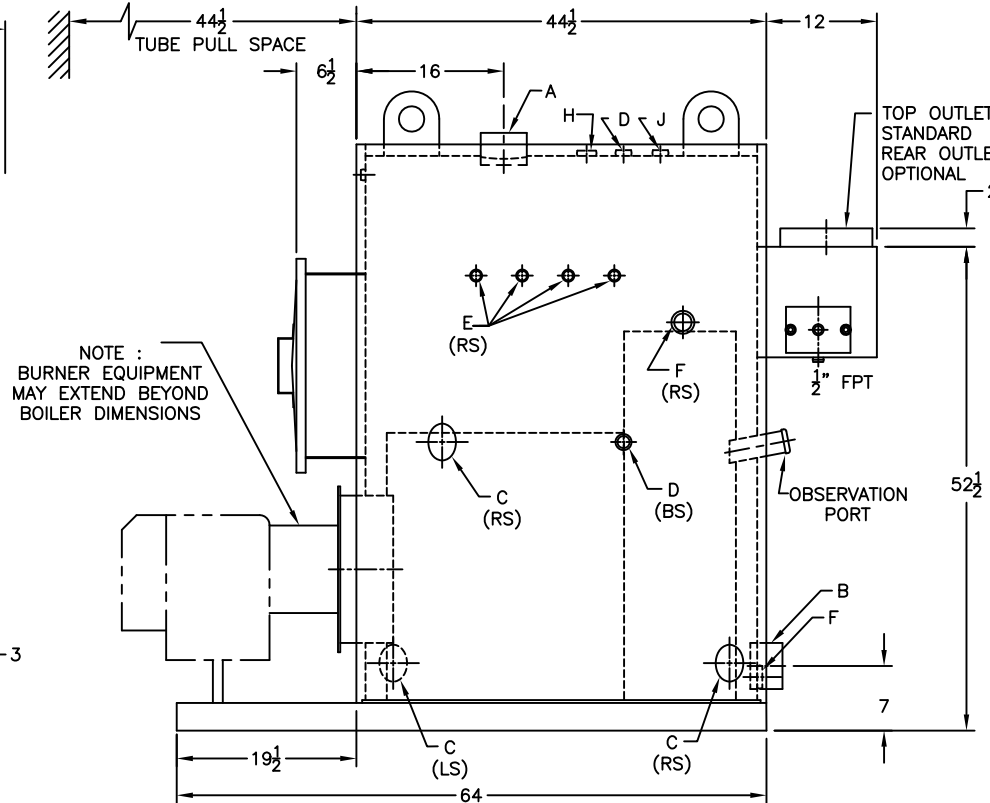
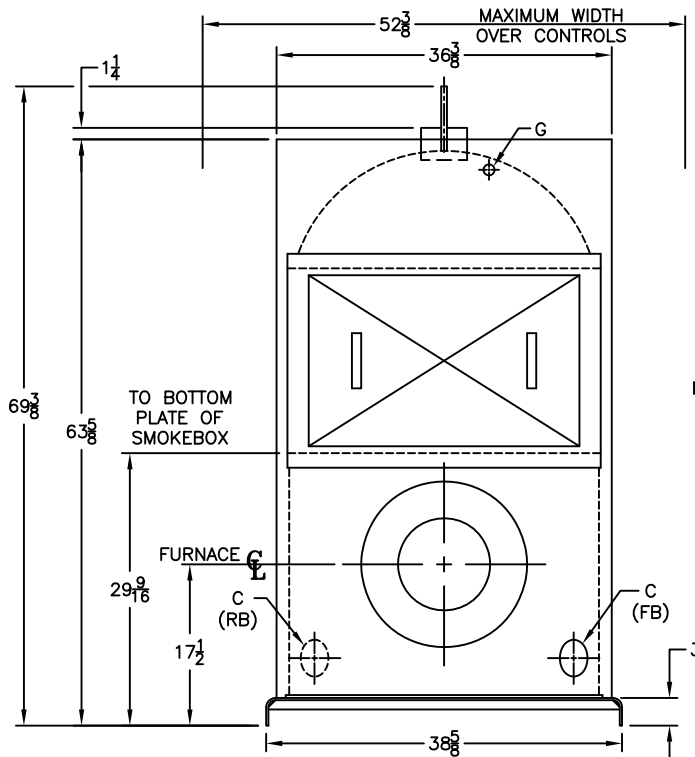
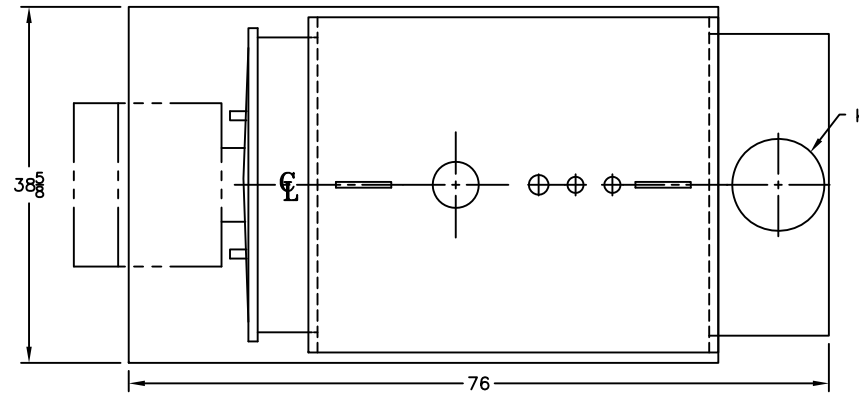
Furnace
 Volume (Cubic Feet) - 19.3

Water Content
 Content - 152 Gal. (U.S.)

Approximate Weight (Lb.)
 Dry - 3400
 Wet - 4665

LEGEND CONNECTIONS

- A = 4" SUPPLY
- B = 4" RETURN
- C = 3" x 4" HANDHOLE
- D = 1" WATER COLUMN
- E = 3/4" AQUASTAT
- F = 1-1/2" DRAIN/WASHOUT
- G = 1/2" TEMPERATURE GAUGE
- H = 1" SAFETY/RELIEF VALVE
- J = 1" AUXILIARY CONNECTION
- K = 10" NOMINAL FLUE DIAMETER



NOTE :
 BURNER EQUIPMENT
 MAY EXTEND BEYOND
 BOILER DIMENSIONS

MODEL 4FPW-127
60 PSI WATER

SPECIFICATIONS SUBJECT TO CHANGE WITHOUT NOTICE ALL CONNECTIONS ARE THREADED UNLESS OTHERWISE SPECIFIED
 THIS DOCUMENT CONTAINS CONFIDENTIAL INFORMATION WHICH IS THE PROPERTY OF BURNHAM COMMERCIAL. THIS DOCUMENT MAY NOT BE REPRODUCED, TRANSFERRED OR USED, OR ITS CONTENTS DISCLOSED, WITHOUT THE WRITTEN PERMISSION OF THE OWNER.