

# BURNHAM®

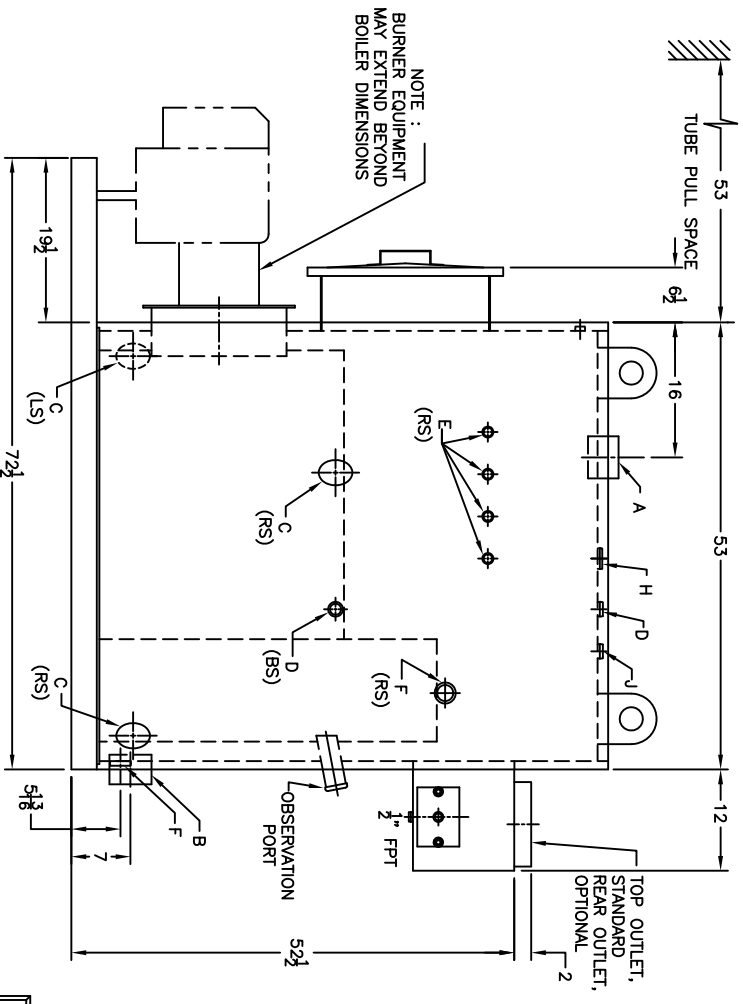
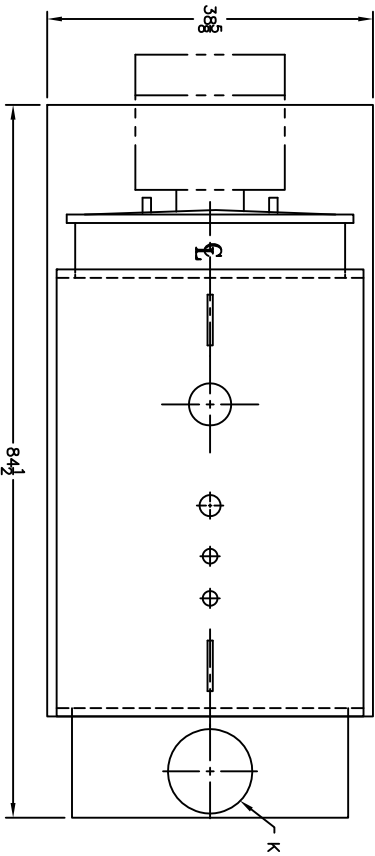
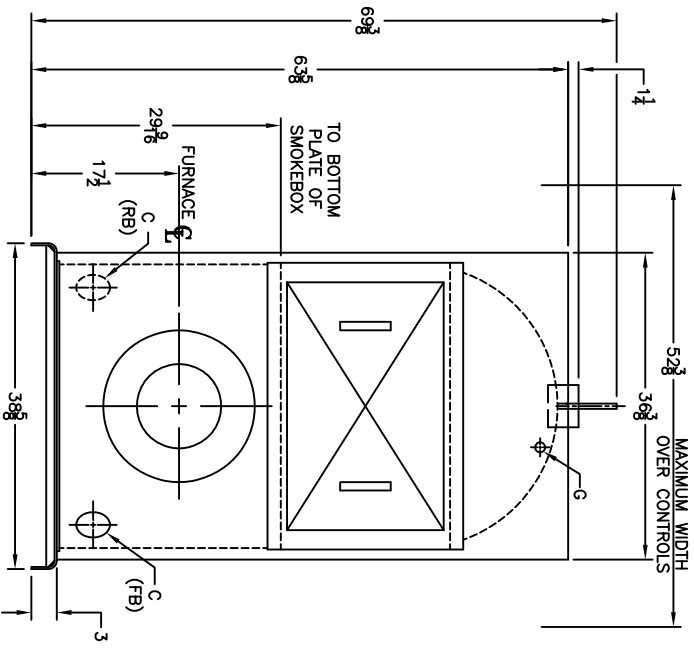
## Commercial Boilers

### LEGEND CONNECTIONS

- A = 4" SUPPLY
- B = 4" RETURN
- C = 3" x 4" HANDHOLE
- D = 1" WATER COLUMN
- E = 3/4" AQUASTAT
- F = 1-1/2" DRAIN/WASHOUT
- G = 1/2" TEMPERATURE GAUGE
- H = 1" SAFETY/RELIEF VALVE
- J = 1" AUXILIARY
- K = 10" NOMINAL FLUE DIAMETER

### RATINGS AND DATA

Shell Diameter	: 32 1/2"
Heating Surface	- Sq. Ft.
Fire-side	- 145
Water-side	- 154
Firetubes	
Number	- 61
Diameter	- 2" O.D.
Furnace Volume (Cubic Feet)	- 23.0
Water Content	- 184 Gal. (U.S.)
Approximate Weight (Lb.)	
Dry	- 3800
Wet	- 5330



SPECIFICATIONS SUBJECT TO CHANGE WITHOUT NOTICE. ALL CONNECTIONS ARE THREADED UNLESS OTHERWISE SPECIFIED. THIS DOCUMENT CONTAINS CONFIDENTIAL INFORMATION WHICH IS THE PROPERTY OF BURNHAM COMMERCIAL. THIS DOCUMENT MAY NOT BE REPRODUCED, TRANSMITTED OR USED, OR ITS CONTENTS DISCLOSED, WITHOUT THE WRITTEN PERMISSION OF THE OWNER.

**MODEL 4PPW-154**  
60 PSI WATER