

BURNHAM®

Commercial Boilers

RATINGS AND DATA

Shell Diameter : $32\frac{7}{8}$ "

Heating Surface - Sq. Ft.
 Fireside - 168
 Waterside - 180

Firetubes
 Number - 61
 Diameter - 2" O.D.

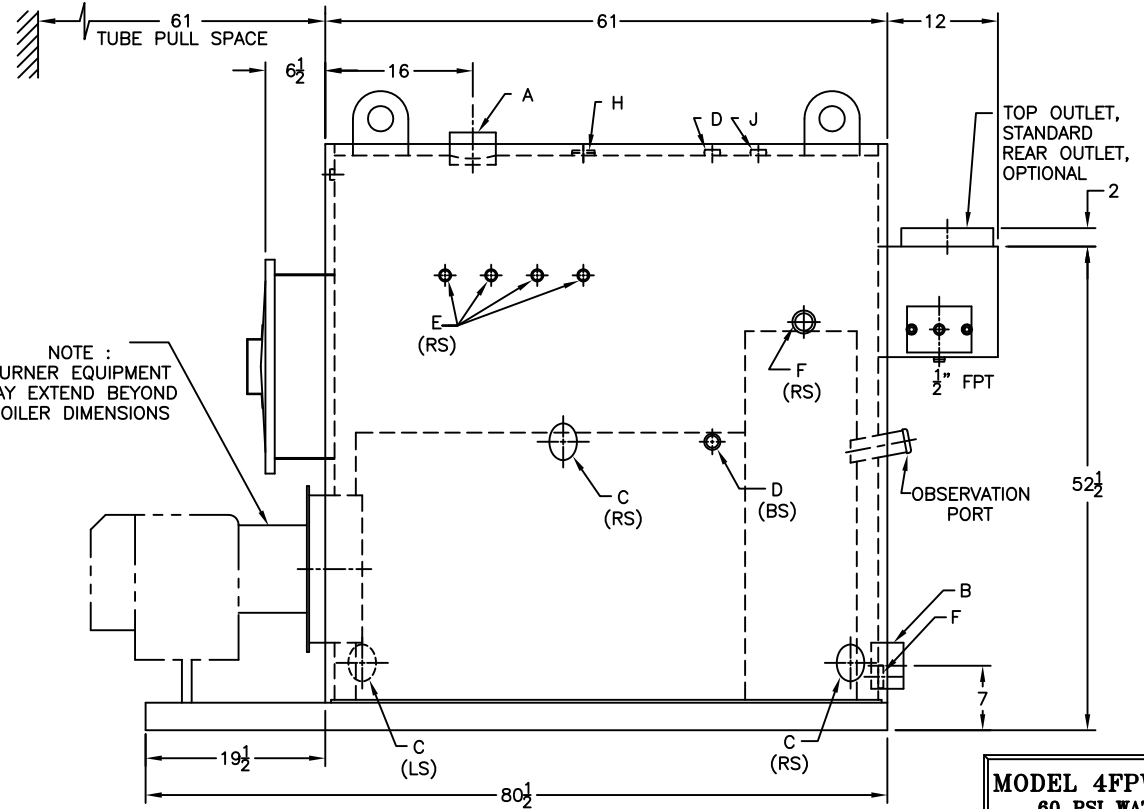
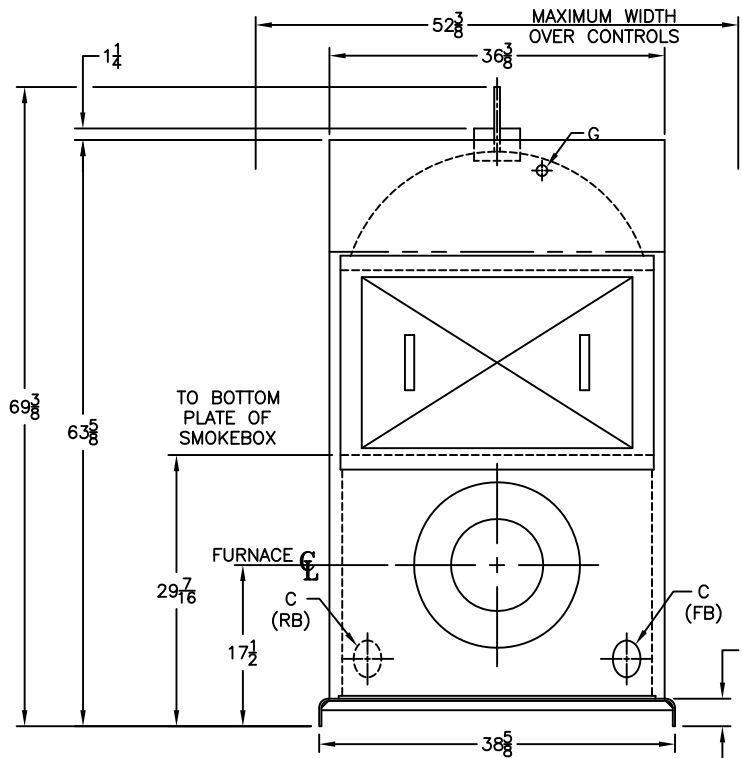
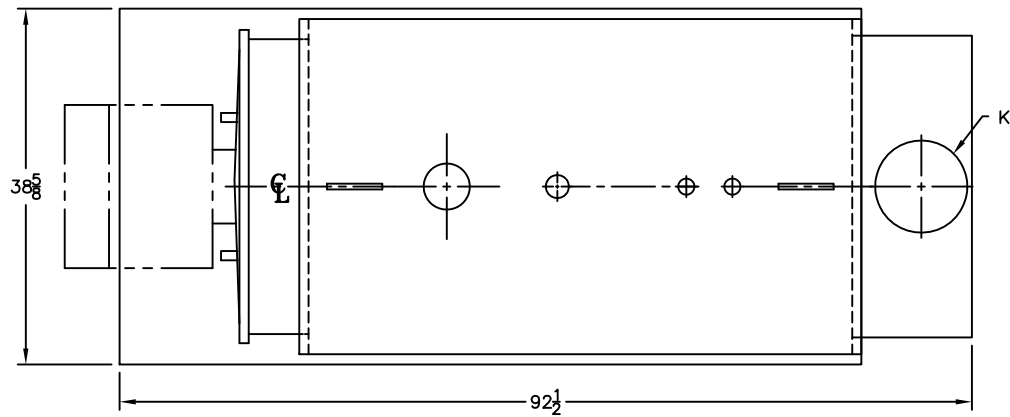
Furnace
 Volume (Cubic Feet) - 26.3

Water Content
 Water - 214 Gal. (U.S.)

Approximate Weight (Lb.)
 Dry - 4100
 Wet - 5885

LEGEND CONNECTIONS

- A = 4" SUPPLY
- B = 4" RETURN
- C = 3" x 4" HANDHOLE
- D = 1" WATER COLUMN
- E = 3/4" AQUASTAT
- F = 1-1/2" DRAIN/WASHOUT
- G = 1/2" TEMPERATURE GAUGE
- H = 1" SAFETY/RELIEF VALVE
- J = 1" AUXILIARY CONNECTION
- K = 10" NOMINAL FLUE DIAMETER



MODEL 4FPW-180
60 PSI WATER

SPECIFICATIONS SUBJECT TO CHANGE WITHOUT NOTICE ALL CONNECTIONS ARE THREADED UNLESS OTHERWISE SPECIFIED
 THIS DOCUMENT CONTAINS CONFIDENTIAL INFORMATION WHICH IS THE PROPERTY OF BURNHAM COMMERCIAL. THIS DOCUMENT MAY NOT BE REPRODUCED, TRANSFERRED OR USED, OR ITS CONTENTS DISCLOSED, WITHOUT THE WRITTEN PERMISSION OF THE OWNER.