

BURNHAM®

Commercial Boilers

LEGEND CONNECTIONS

- A = 3" SUPPLY
- B = 3" RETURN
- C = 3" x 4" HANDHOLE
- D = 1" WATER COLUMN
- E = 3/4" AQUASTAT
- F = 1-1/2" DRAIN/WASHOUT
- G = 1/2" TEMPERATURE GAUGE
- H = 3/4" SAFETY/RELIEF VALVE
- J = 1" AUXILLIARY CONNECTION
- K = 7" NOMINAL FLUE DIAMETER

RATINGS AND DATA

Shell Diameter : 27 $\frac{1}{2}$ "

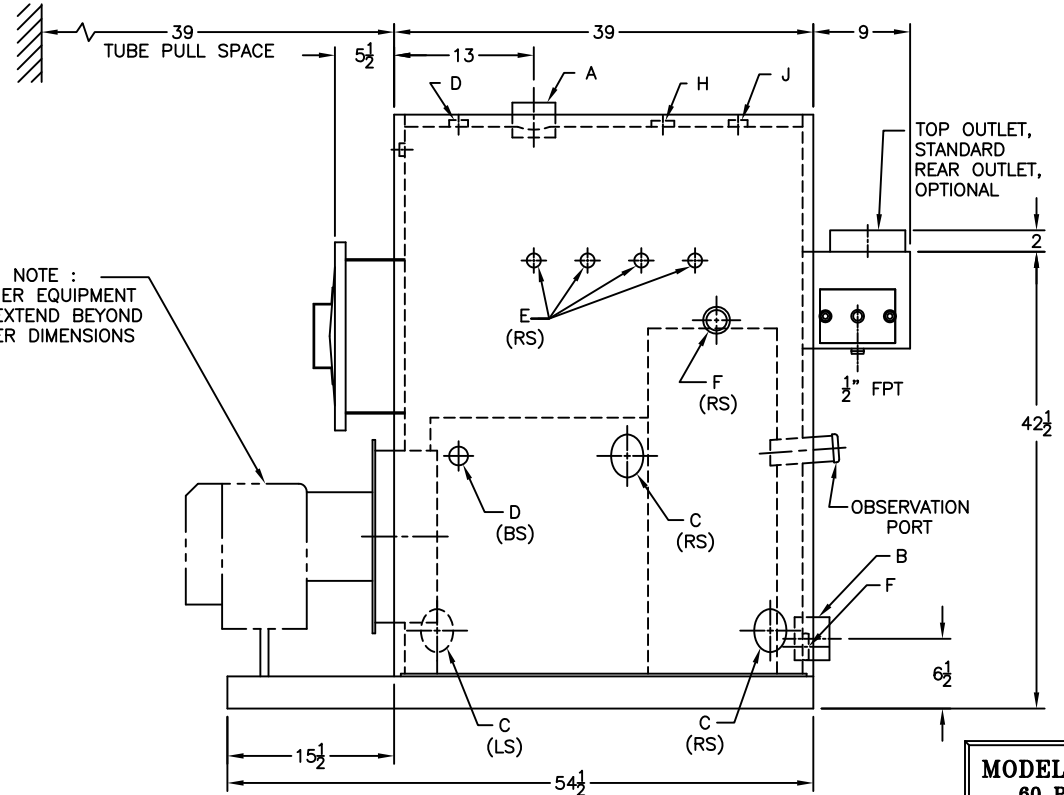
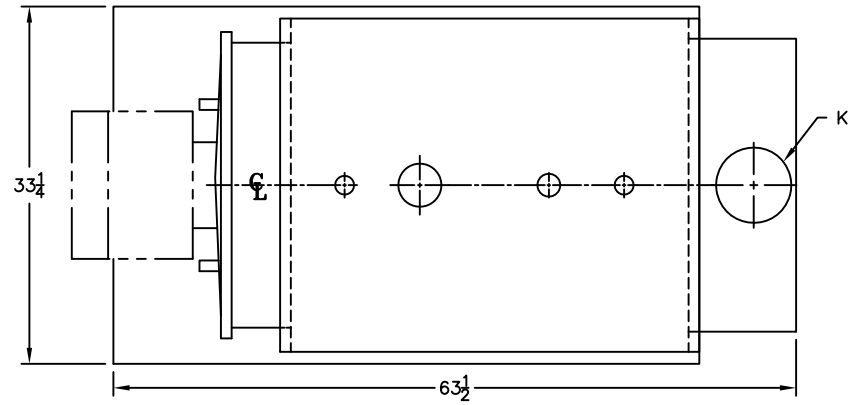
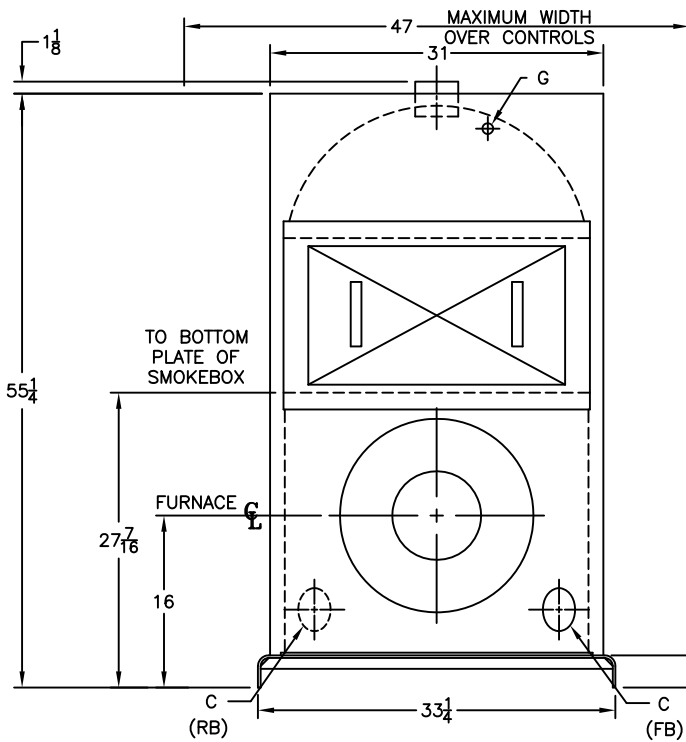
Heating Surface - Sq. Ft.
 Fireside - 73
 Waterside - 78

Firetubes
 Number - 41
 Diameter - 2" O.D.

Furnace
 Volume (Cubic Feet) - 11.2

Water
 Content - 102 Gal. (U.S.)

Approximate Weight (Lb.)
 Dry - 2400
 Wet - 3250



NOTE :
 BURNER EQUIPMENT
 MAY EXTEND BEYOND
 BOILER DIMENSIONS

SPECIFICATIONS SUBJECT TO CHANGE WITHOUT NOTICE ALL CONNECTIONS ARE THREADED UNLESS OTHERWISE SPECIFIED

THIS DOCUMENT CONTAINS CONFIDENTIAL INFORMATION WHICH IS THE PROPERTY OF BURNHAM COMMERCIAL. THIS DOCUMENT MAY NOT BE REPRODUCED, TRANSFERRED OR USED, OR ITS CONTENTS DISCLOSED, WITHOUT THE WRITTEN PERMISSION OF THE OWNER.

MODEL 4FPW-78
60 PSI WATER