

# BURNHAM®

## Commercial Boilers

### RATINGS AND DATA

Shell Diameter :  $27\frac{1}{2}$ "

Heating Surface - Sq. Ft.  
 Fireside - 86  
 Waterside - 92

Firetubes  
 Number - 41  
 Diameter - 2" O.D.

---

Furnace  
 Volume (Cubic Feet) - 13.0

---

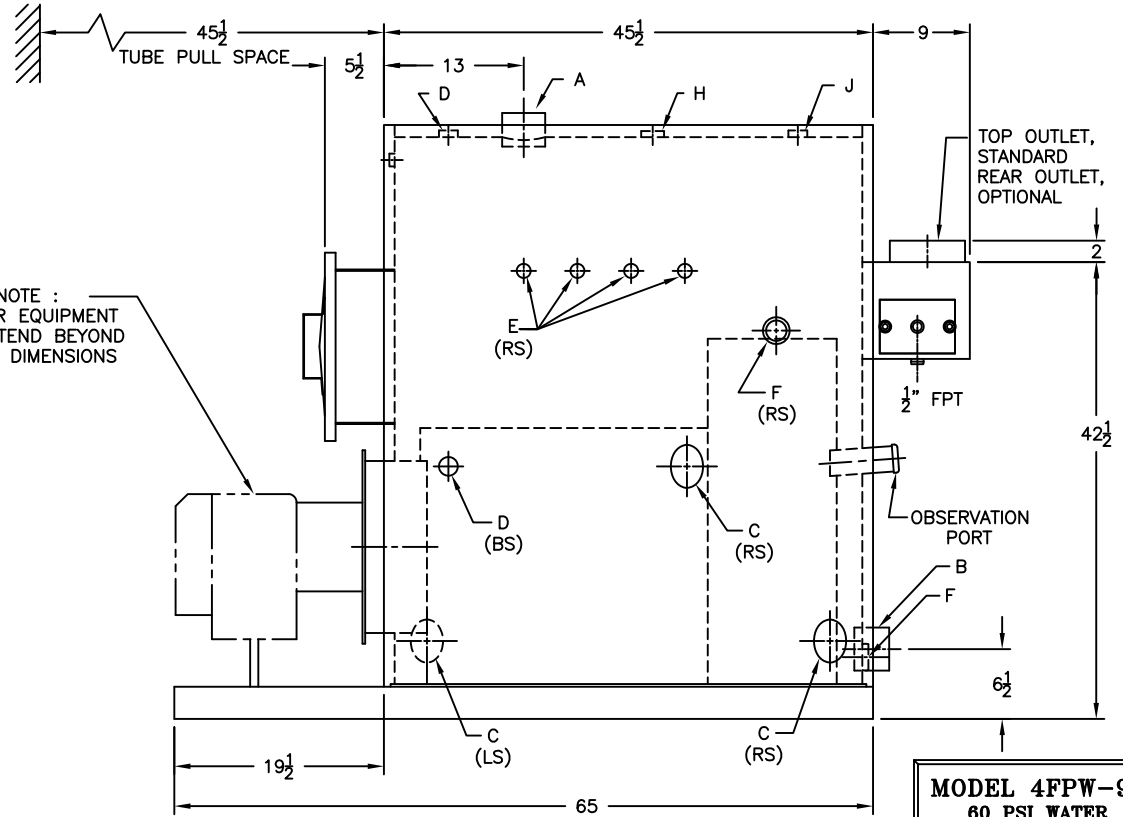
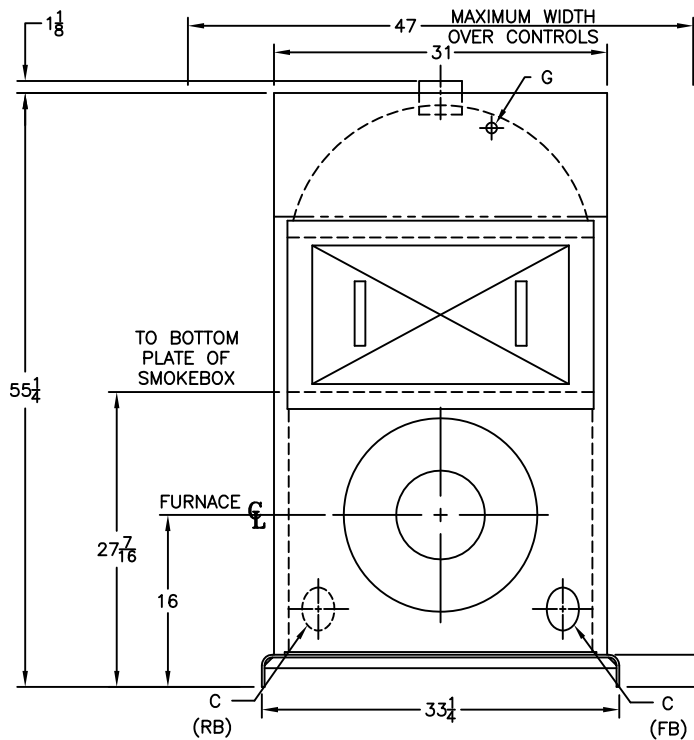
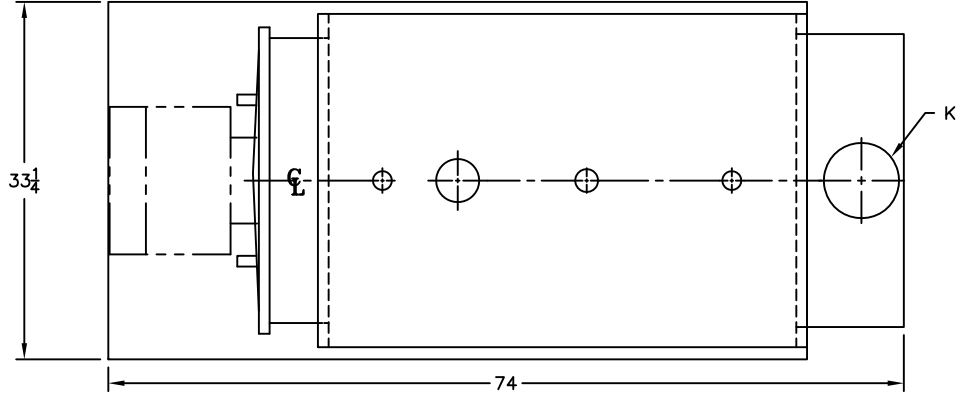
Water Content  
 Content - 121 Gal. (U.S.)

---

Approximate Weight (Lb.)  
 Dry - 2600  
 Wet - 3610

### LEGEND CONNECTIONS

- A = 3" SUPPLY
- B = 3" RETURN
- C = 3" x 4" HANDHOLE
- D = 1" WATER COLUMN
- E = 3/4" AQUASTAT
- F = 1-1/2" DRAIN/WASHOUT
- G = 1/2" TEMPERATURE GAUGE
- H = 3/4" SAFETY/RELIEF VALVE
- J = 1" AUXILIARY CONNECTION
- K = 7" NOMINAL FLUE DIAMETER



**MODEL 4FPW-92**  
**60 PSI WATER**

SPECIFICATIONS SUBJECT TO CHANGE WITHOUT NOTICE ALL CONNECTIONS ARE THREADED UNLESS OTHERWISE SPECIFIED  
 THIS DOCUMENT CONTAINS CONFIDENTIAL INFORMATION WHICH IS THE PROPERTY OF BURNHAM COMMERCIAL. THIS DOCUMENT MAY NOT BE REPRODUCED, TRANSFERRED OR USED, OR ITS CONTENTS DISCLOSED, WITHOUT THE WRITTEN PERMISSION OF THE OWNER.