

BURNHAM®

Commercial Boilers

RATINGS AND DATA

Shell Diameter : $47\frac{1}{8}$ "

Heating Surface - Sq. Ft.
 Fireside - 360
 Waterside - 398

Firetubes
 Number - 110
 Diameter - 2" O.D.

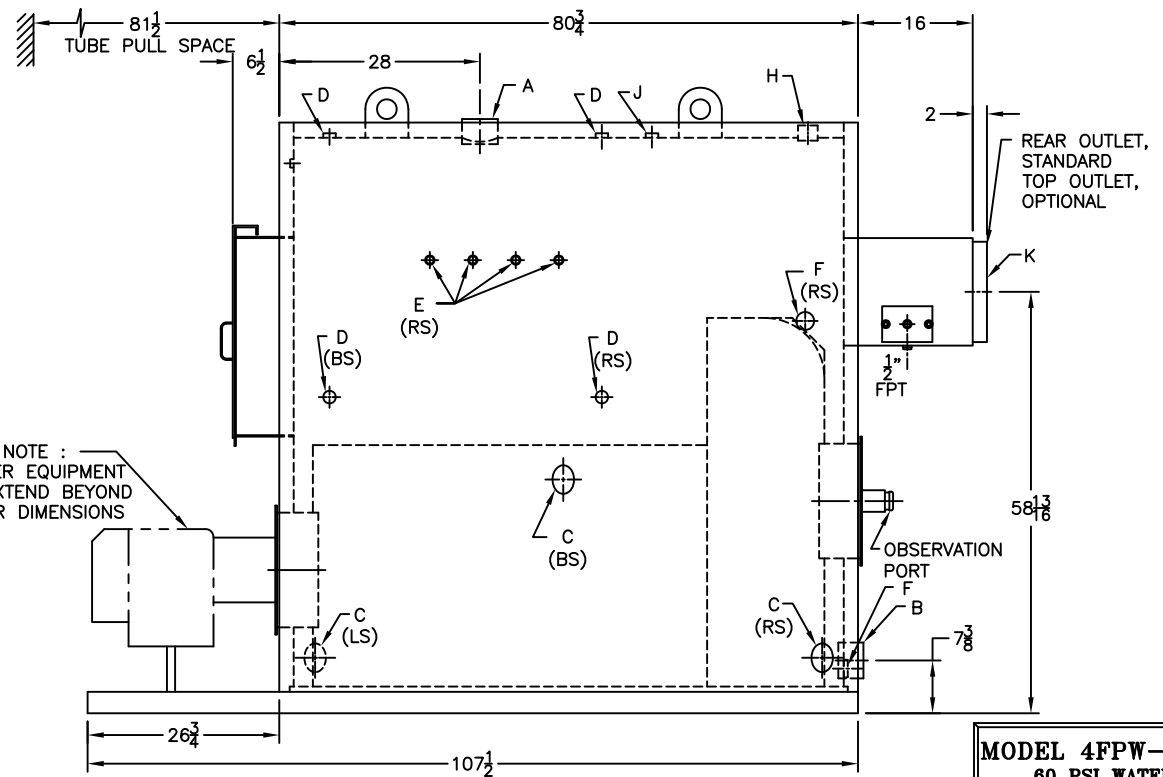
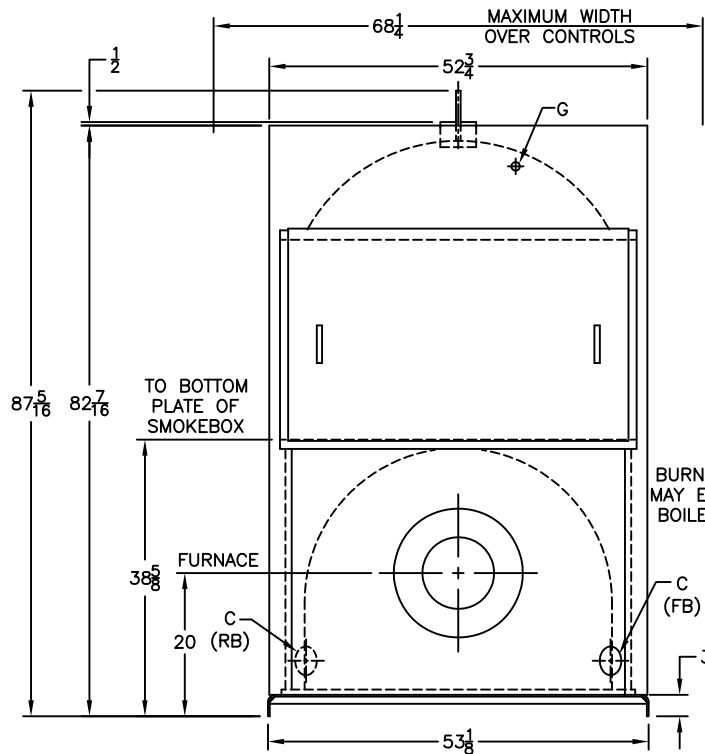
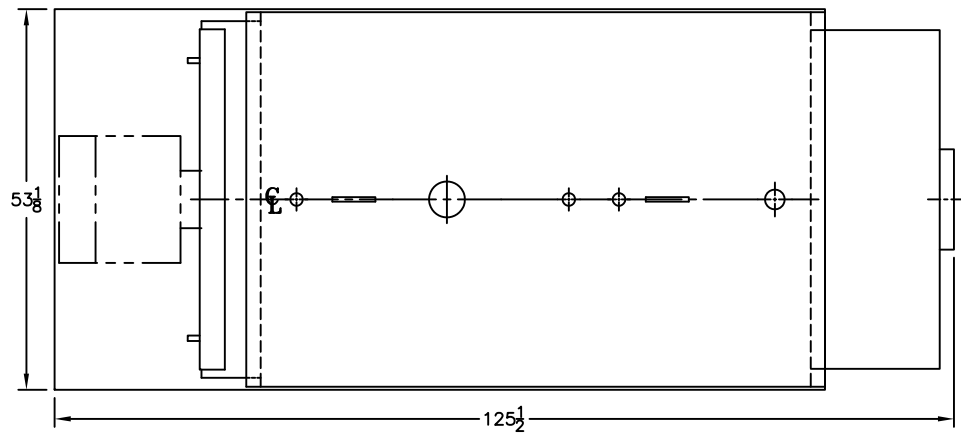
Furnace
 Volume (Cubic Feet) - 61.3

Water Content
 Water - 539 Gal. (U.S.)

Approximate Weight (Lb.)
 Dry - 8900
 Wet - 13390

LEGEND CONNECTIONS

- A = 4" SUPPLY
- B = 4" RETURN
- C = 3" x 4" HANDHOLE
- D = 1" WATER COLUMN
- E = 3/4" AQUASTAT
- F = 1-1/2" DRAIN/WASHOUT
- G = 1/2" TEMPERATURE GAUGE
- H = 1-1/4" SAFETY/RELIEF VALVE
- J = 1" AUXILIARY CONNECTION
- K = 14" NOMINAL FLUE DIAMETER



MODEL 4FPW-360A
60 PSI WATER

SPECIFICATIONS SUBJECT TO CHANGE WITHOUT NOTICE ALL CONNECTIONS ARE THREADED UNLESS OTHERWISE SPECIFIED
 THIS DOCUMENT CONTAINS CONFIDENTIAL INFORMATION WHICH IS THE PROPERTY OF BURNHAM COMMERCIAL. THIS DOCUMENT MAY NOT BE REPRODUCED, TRANSFERRED OR USED, OR ITS CONTENTS DISCLOSED, WITHOUT THE WRITTEN PERMISSION OF THE OWNER.