

BURNHAM®

Commercial Boilers

LEGEND CONNECTIONS

- A = 8" FLANGED SUPPLY (150#)
- B = 6" FLANGED RETURN(STEAM-150#)
- 8" FLANGED RETURN(WATER-150#)
- C = 3" x 4" HANDHOLE
- D = 1" WATER COLUMN
- E = 3/4" AQUASTAT
- F = 2" WASHOUT
- G = 1-1/2" SURFACE BLOWOFF
- H = 2-1/2" SAFETY/RELIEF VALVE
- J = 12" X 16" MANHOLE
- K = 22" NOMINAL FLUE DIAMETER

RATINGS AND DATA

Shell Diameter : 66"

Heating Surface - Sq. Ft.
 Fireside - 1323
 Waterside - 1429

Firetubes
 Number - 158
 Diameter - 3" O.D.

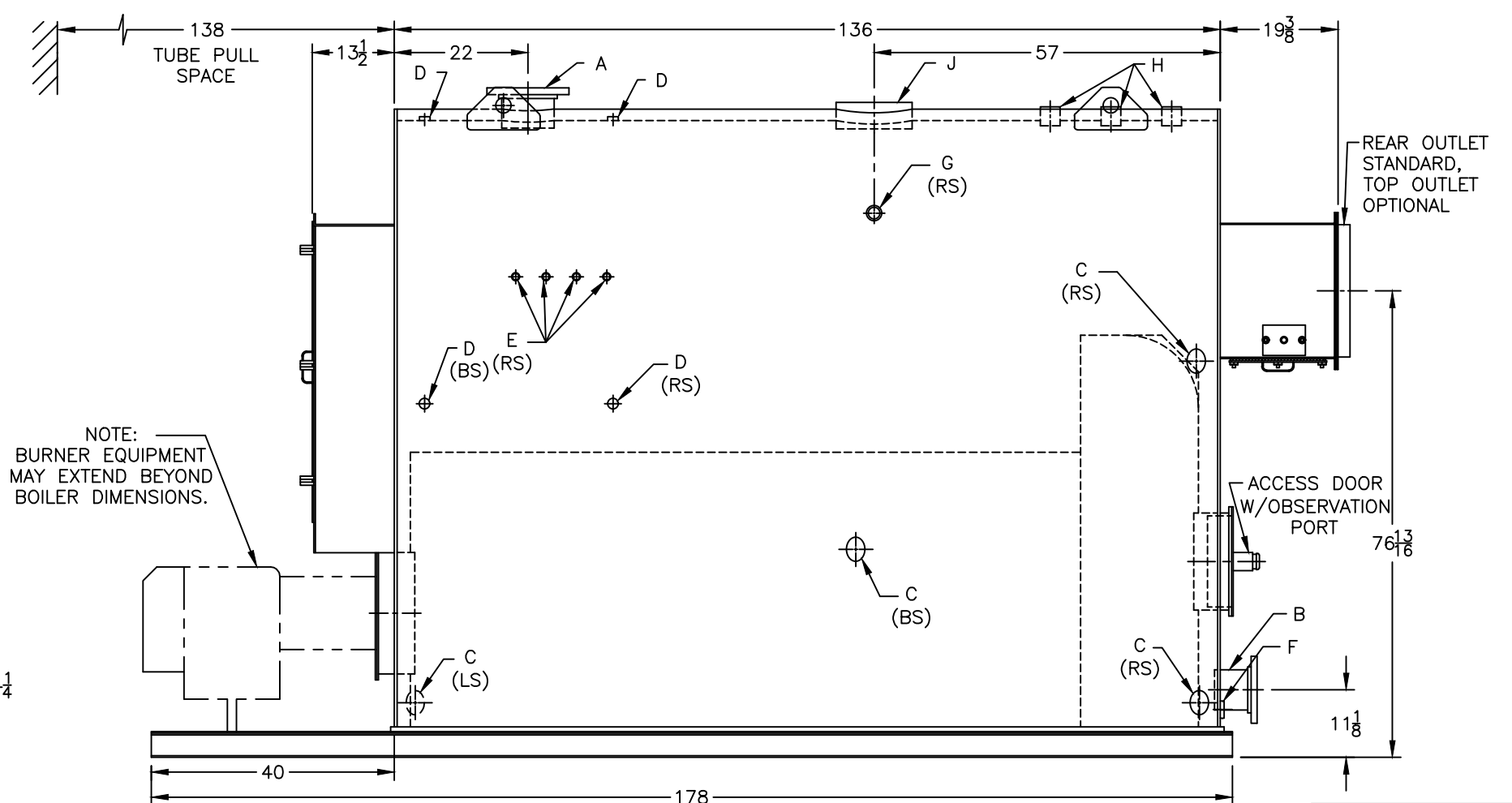
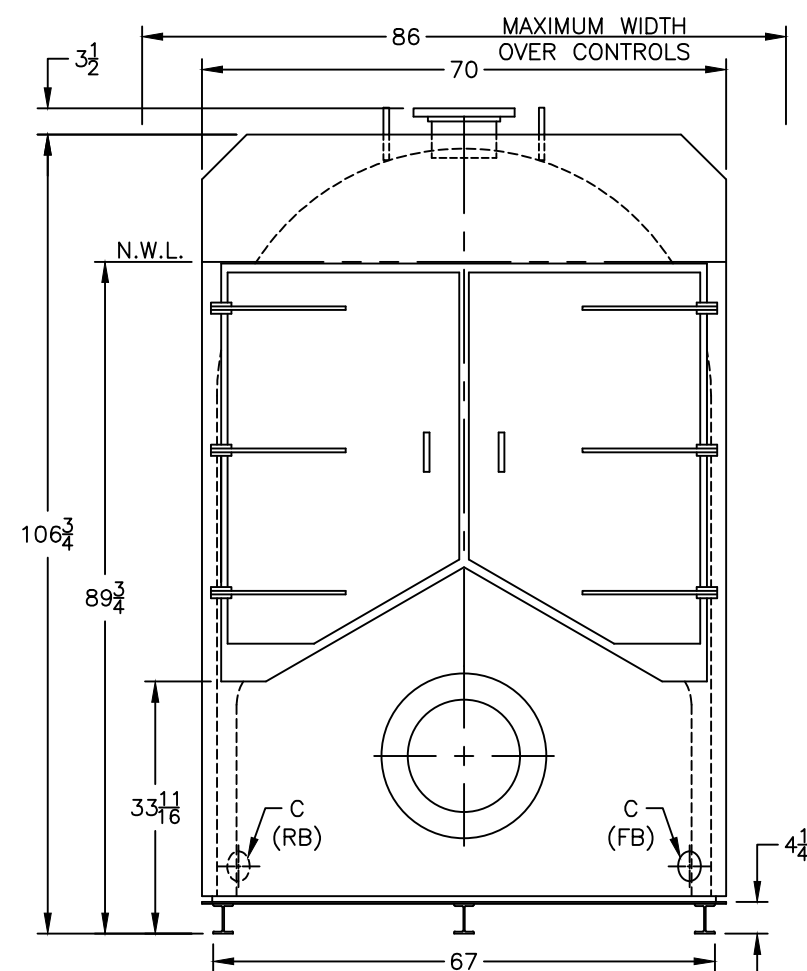
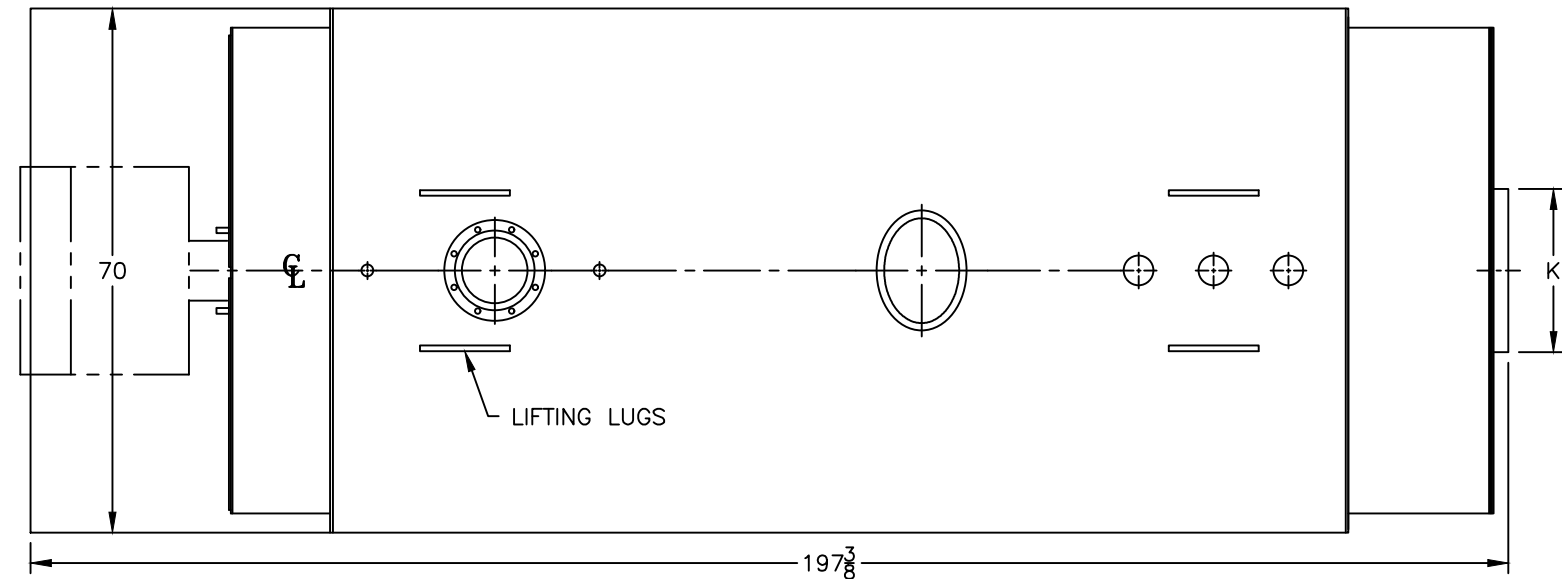
Furnace
 Volume (Cubic Feet) - 186.5

Water Content
 Steam - 1227 Gal. (U.S.)
 Water - 1554 Gal. (U.S.)

Approximate Weight (Lb.)
 Dry - 19800
 Wet (Steam) - 29980
 Wet (Water) - 32760

LEGEND

- BS = BOTH SIDES
- RS = RIGHT SIDE
- LS = LEFT SIDE
- FB = FRONT OF BOILER
- RB = REAR OF BOILER



MODEL 4FH-1323

SPECIFICATIONS SUBJECT TO CHANGE WITHOUT NOTICE ALL CONNECTIONS ARE THREADED UNLESS OTHERWISE SPECIFIED

THIS DOCUMENT CONTAINS CONFIDENTIAL INFORMATION WHICH IS THE PROPERTY OF BURNHAM COMMERCIAL. THIS DOCUMENT MAY NOT BE REPRODUCED, TRANSFERRED OR USED, OR ITS CONTENTS DISCLOSED, WITHOUT THE WRITTEN PERMISSION OF THE OWNER.

2/12/19 TS-3-20-2