

# BURNHAM®

## Commercial Boilers

### RATINGS AND DATA

Shell Diameter : 33 $\frac{1}{8}$ "

---

Heating Surface – Sq. Ft.  
 Fireside – 145  
 Waterside – 154

Firetubes  
 Number – 61  
 Diameter – 2" O.D.

---

Furnace  
 Volume (Cubic Feet) – 21.9

---

Water Content  
 Steam – 139 Gal. (U.S.)  
 Water – 191 Gal. (U.S.)

---

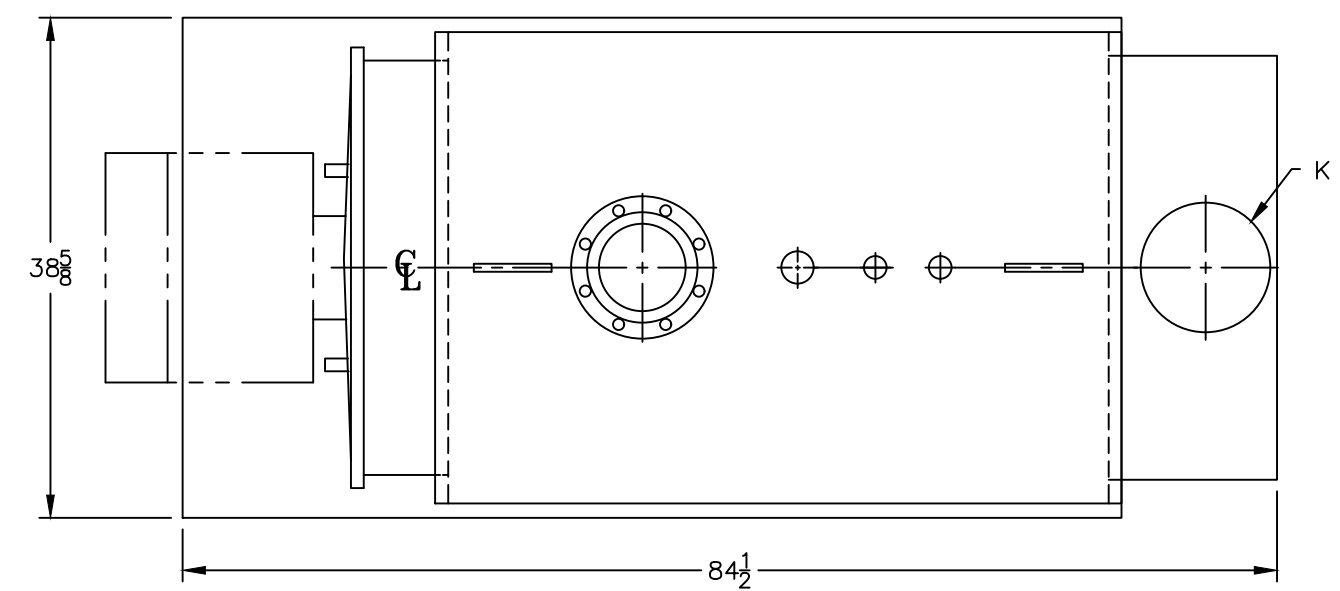
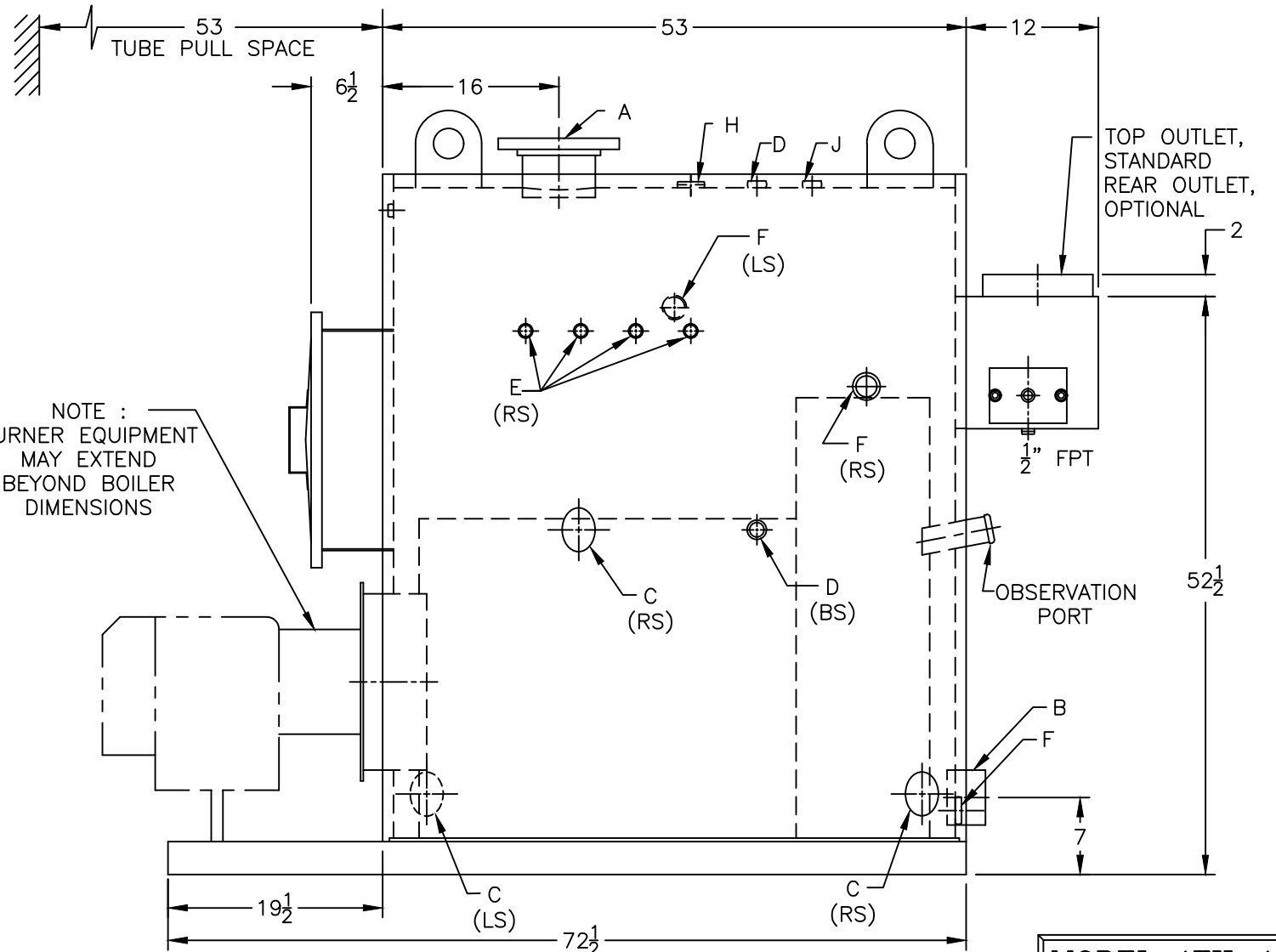
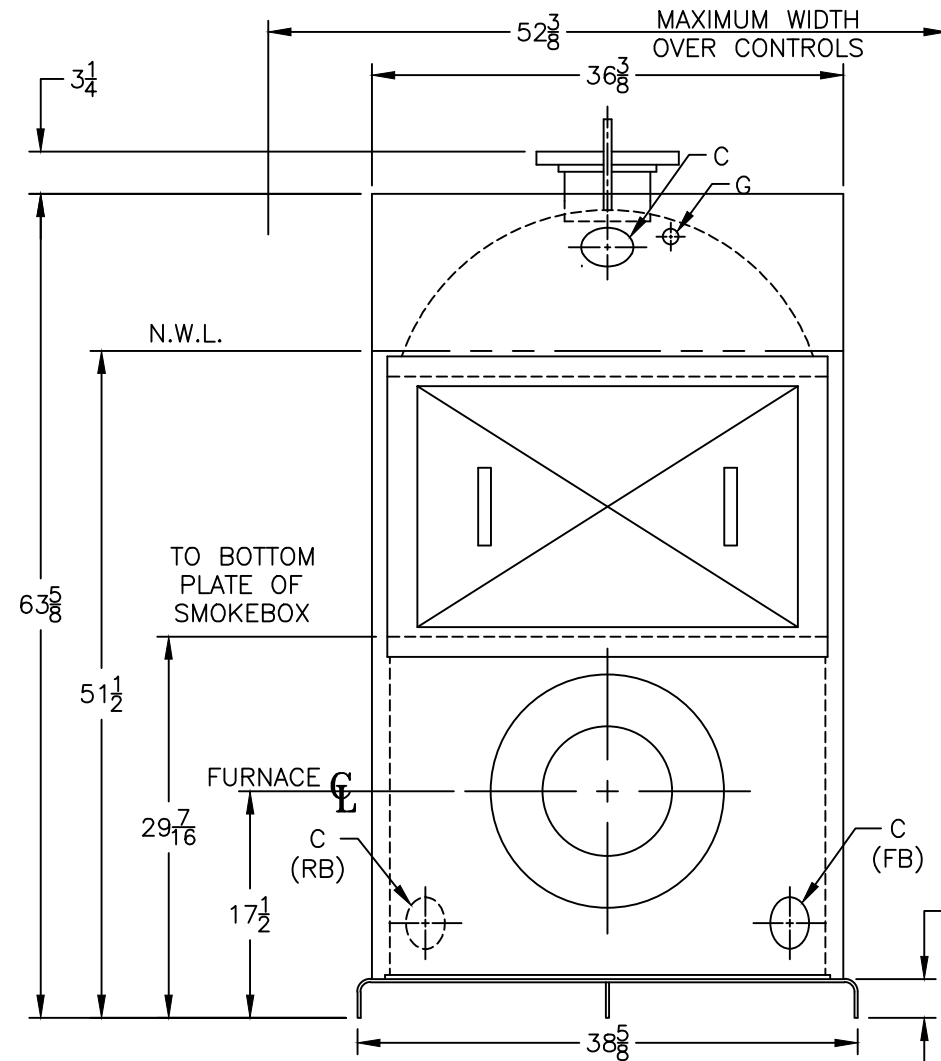
Approximate Weight (Lb.)  
 Dry – 3100  
 Wet (Steam) – 4260  
 Wet (Water) – 4695

### LEGEND CONNECTIONS

- A = 6" FLANGED SUPPLY (150#)
- B = 4" RETURN
- C = 3" x 4" HANDHOLE
- D = 1" WATER COLUMN
- E = 3/4" AQUASTAT
- F = 1-1/2" SURFACE BLOWOFF/WASHOUT
- G = 1/2" TEMPERATURE GAUGE
- H = 1-1/2" SAFETY/RELIEF VALVE
- J = 1" AUXILIARY CONNECTION
- K = 10" NOMINAL FLUE DIAMETER

### LEGEND

- BS = BOTH SIDES
- RS = RIGHT SIDE
- LS = LEFT SIDE
- FB = FRONT OF BOILER
- RB = REAR OF BOILER



SPECIFICATIONS SUBJECT TO CHANGE WITHOUT NOTICE ALL CONNECTIONS ARE THREADED UNLESS OTHERWISE SPECIFIED  
 THIS DOCUMENT CONTAINS CONFIDENTIAL INFORMATION WHICH IS THE PROPERTY OF BURNHAM COMMERCIAL. THIS DOCUMENT MAY NOT BE REPRODUCED, TRANSFERRED OR USED, OR ITS CONTENTS DISCLOSED, WITHOUT THE WRITTEN PERMISSION OF THE OWNER.

**MODEL 4FH-154A**