

BURNHAM®

Commercial Boilers

RATINGS AND DATA

Shell Diameter : $33\frac{1}{8}$ "

Heating Surface – Sq. Ft.
 Fireside – 168
 Waterside – 180

Firetubes
 Number – 61
 Diameter – 2" O.D.

Furnace
 Volume (Cubic Feet) – 25.3

Water Content
 Steam – 162 Gal. (U.S.)
 Water – 222 Gal. (U.S.)

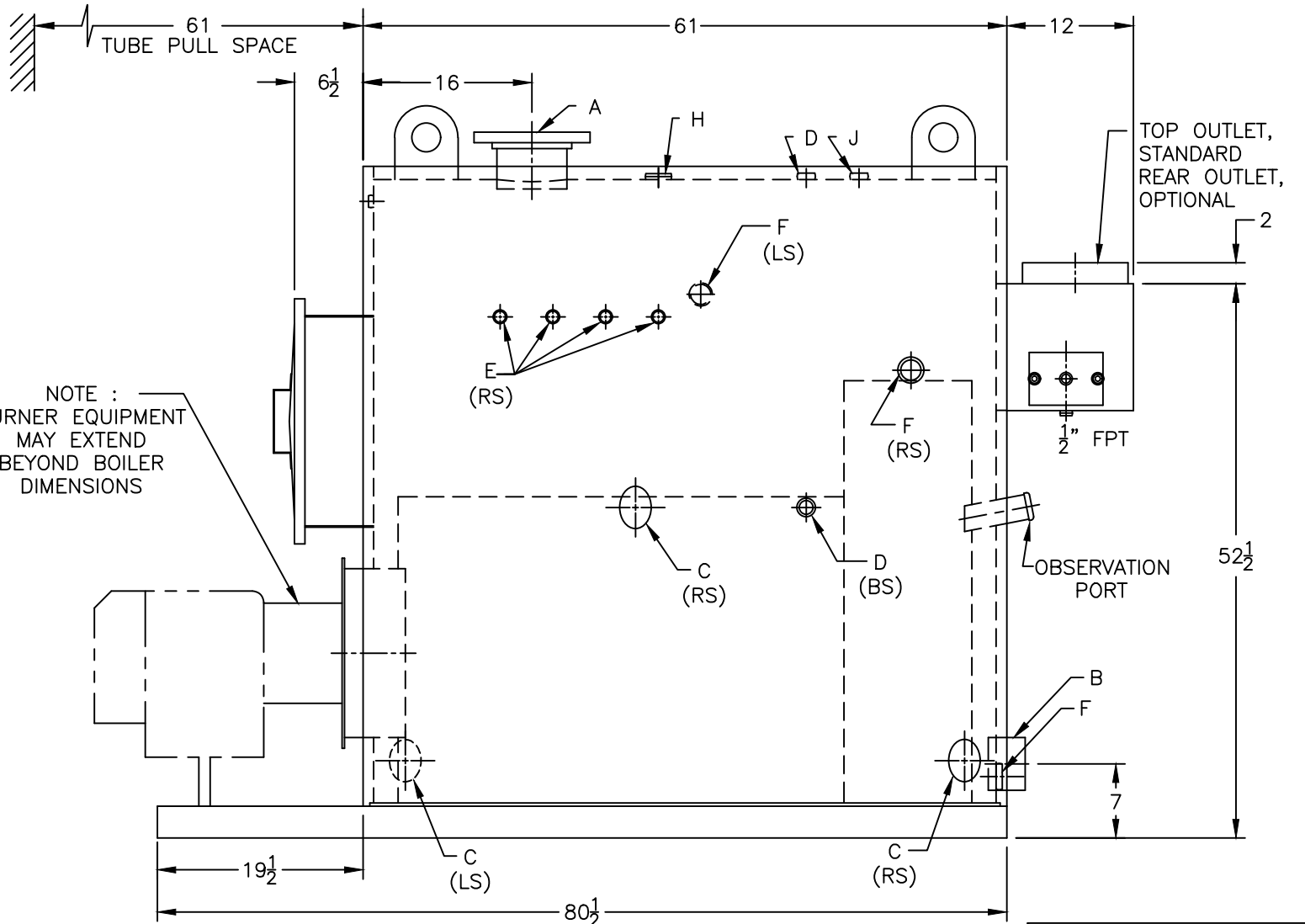
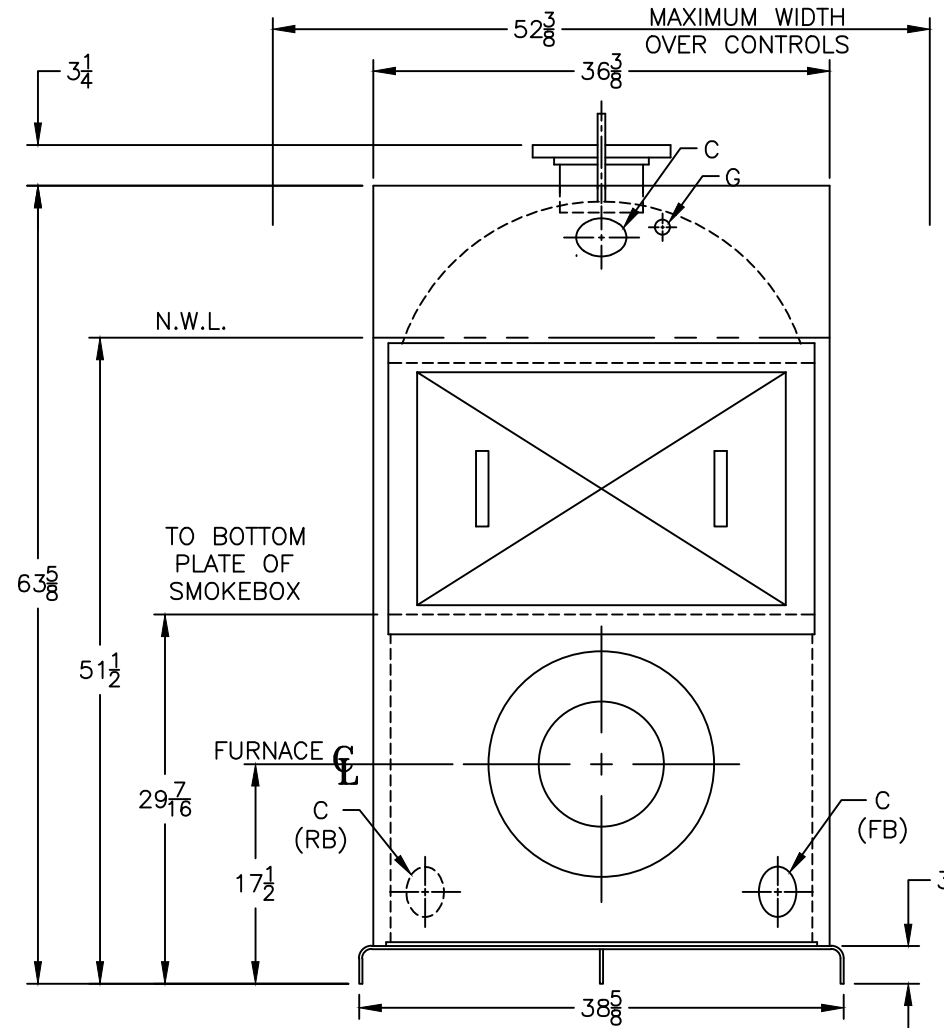
Approximate Weight (Lb.)
 Dry – 3300
 Wet (Steam) – 4645
 Wet (Water) – 5155

LEGEND CONNECTIONS

- A = 6" FLANGED SUPPLY (150#)
- B = 4" RETURN
- C = 3" x 4" HANDHOLE
- D = 1" WATER COLUMN
- E = 3/4" AQUASTAT
- F = 1-1/2" SURFACE BLOWOFF/WASHOUT
- G = 1/2" TEMPERATURE GAUGE
- H = 1-1/2" SAFETY/RELIEF VALVE
- J = 1" AUXILIARY CONNECTION
- K = 10" NOMINAL FLUE DIAMETER

LEGEND

- BS = BOTH SIDES
- RS = RIGHT SIDE
- LS = LEFT SIDE
- FB = FRONT OF BOILER
- RB = REAR OF BOILER



SPECIFICATIONS SUBJECT TO CHANGE WITHOUT NOTICE ALL CONNECTIONS ARE THREADED UNLESS OTHERWISE SPECIFIED
 THIS DOCUMENT CONTAINS CONFIDENTIAL INFORMATION WHICH IS THE PROPERTY OF BURNHAM COMMERCIAL. THIS DOCUMENT MAY NOT BE REPRODUCED, TRANSFERRED OR USED, OR ITS CONTENTS DISCLOSED, WITHOUT THE WRITTEN PERMISSION OF THE OWNER.

MODEL 4FH-180A