

BURNHAM®

Commercial Boilers

LEGEND CONNECTIONS

- A = 12" FLANGED SUPPLY (150#)
- B = 6" FLANGED RETURN (STEAM-150#)
- 8" FLANGED RETURN (WATER-150#)
- C = 3" x 4" HANDHOLE
- D = 1" WATER COLUMN
- E = 3/4" AQUASTAT
- F = 2" WASHOUT
- G = 1 1/2" SURFACE BLOWOFF
- H = 3" SAFETY/RELIEF VALVE
- J = 12" X 16" MANHOLE
- K = 28" NOMINAL FLUE DIAMETER

RATINGS AND DATA

Shell Diameter : 78"

Heating Surface - Sq. Ft.
 Fireside - 1985
 Waterside - 2143

Firetubes
 Number - 250
 Diameter - 3" O.D.

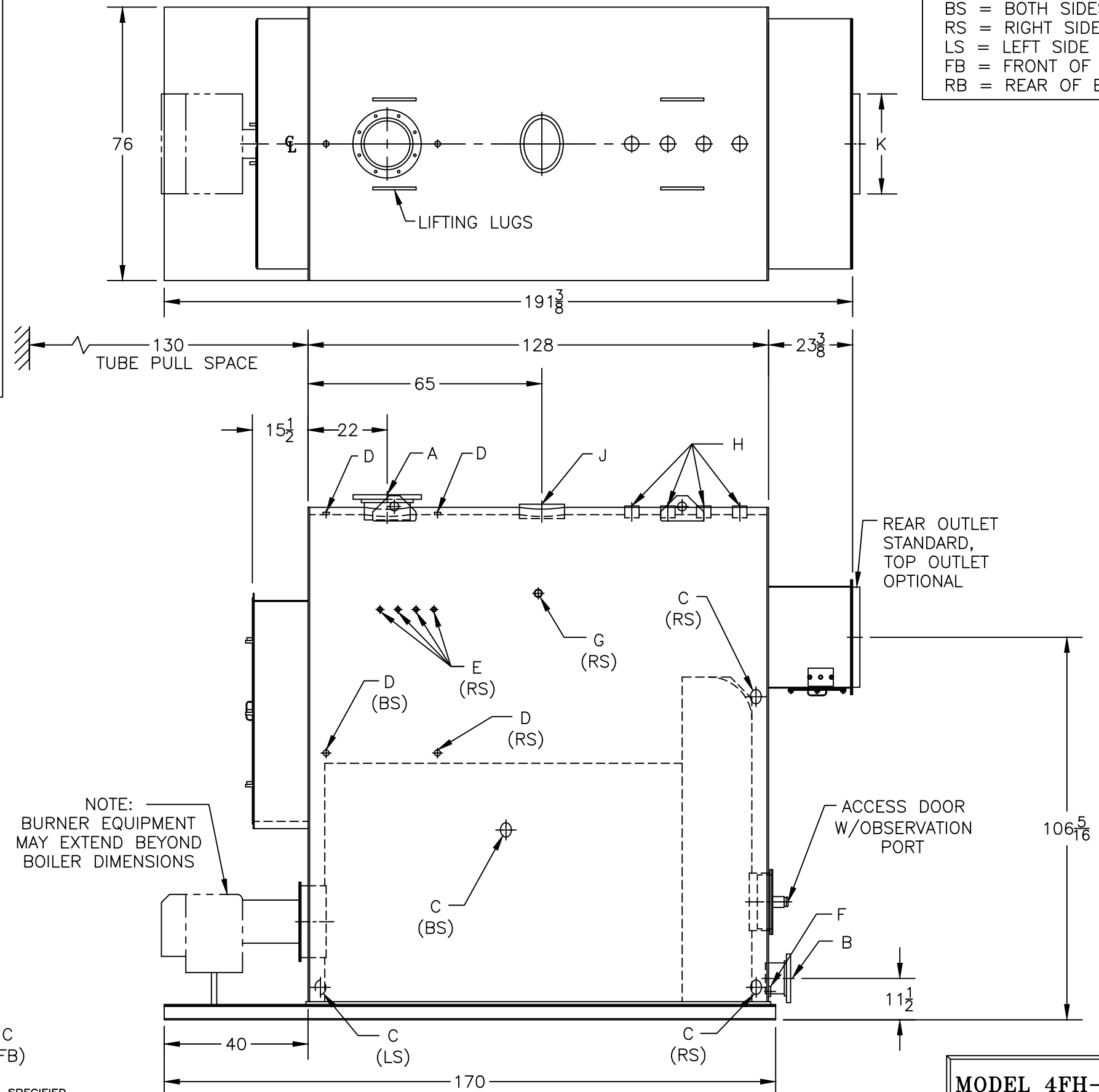
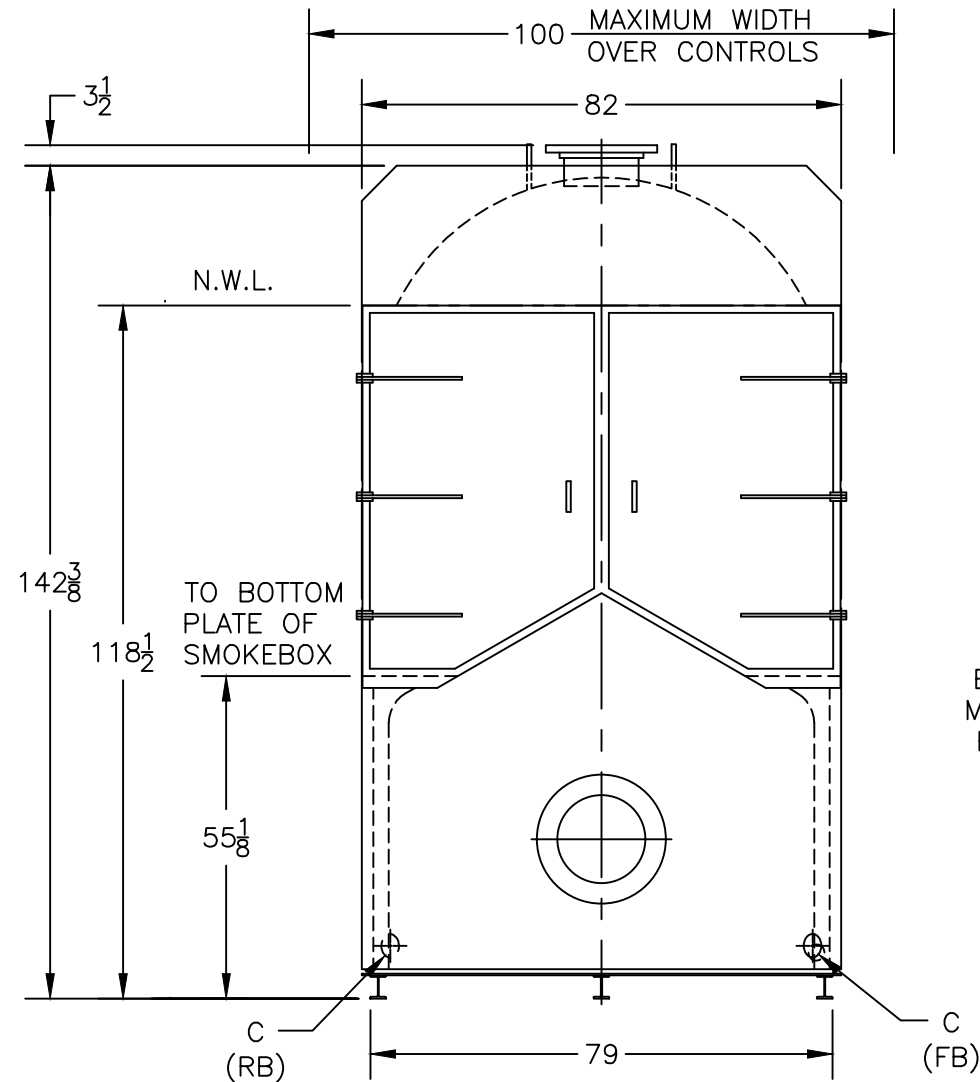
Furnace
 Volume (Cubic Feet) - 301.6

Water Content
 Steam - 1686 Gal. (U.S.)
 Water - 2147 Gal. (U.S.)

Approximate Weight (Lb.)
 Dry - 28000
 Wet (Steam) - 41995
 Wet (Water) - 45870

LEGEND

- BS = BOTH SIDES
- RS = RIGHT SIDE
- LS = LEFT SIDE
- FB = FRONT OF BOILER
- RB = REAR OF BOILER



SPECIFICATIONS SUBJECT TO CHANGE WITHOUT NOTICE ALL CONNECTIONS ARE THREADED UNLESS OTHERWISE SPECIFIED
 THIS DOCUMENT CONTAINS CONFIDENTIAL INFORMATION WHICH IS THE PROPERTY OF BURNHAM COMMERCIAL. THIS DOCUMENT MAY NOT BE REPRODUCED, TRANSFERRED OR USED, OR ITS CONTENTS DISCLOSED, WITHOUT THE WRITTEN PERMISSION OF THE OWNER.

MODEL 4FH-1985