

BURNHAM®

Commercial Boilers

LEGEND CONNECTIONS

- A = 12" FLANGED SUPPLY (150#)
- B = 6" FLANGED RETURN (STEAM-150#)
- 8" FLANGED RETURN (WATER-150#)
- C = 3" x 4" HANDHOLE
- D = 1" WATER COLUMN
- E = 3/4" AQUASTAT
- F = 2" WASHOUT
- G = 1 1/2" SURFACE BLOWOFF
- H = 3" SAFETY/RELIEF VALVE
- 1 1/2" SAFETY/RELIEF VALVE
- J = 12" X 16" MANHOLE
- K = 28" NOMINAL FLUE DIAMETER

RATINGS AND DATA

Shell Diameter : 78"

Heating Surface - Sq. Ft.
 Fireside - 2315
 Waterside - 2500

Firetubes
 Number - 250
 Diameter - 3" O.D.

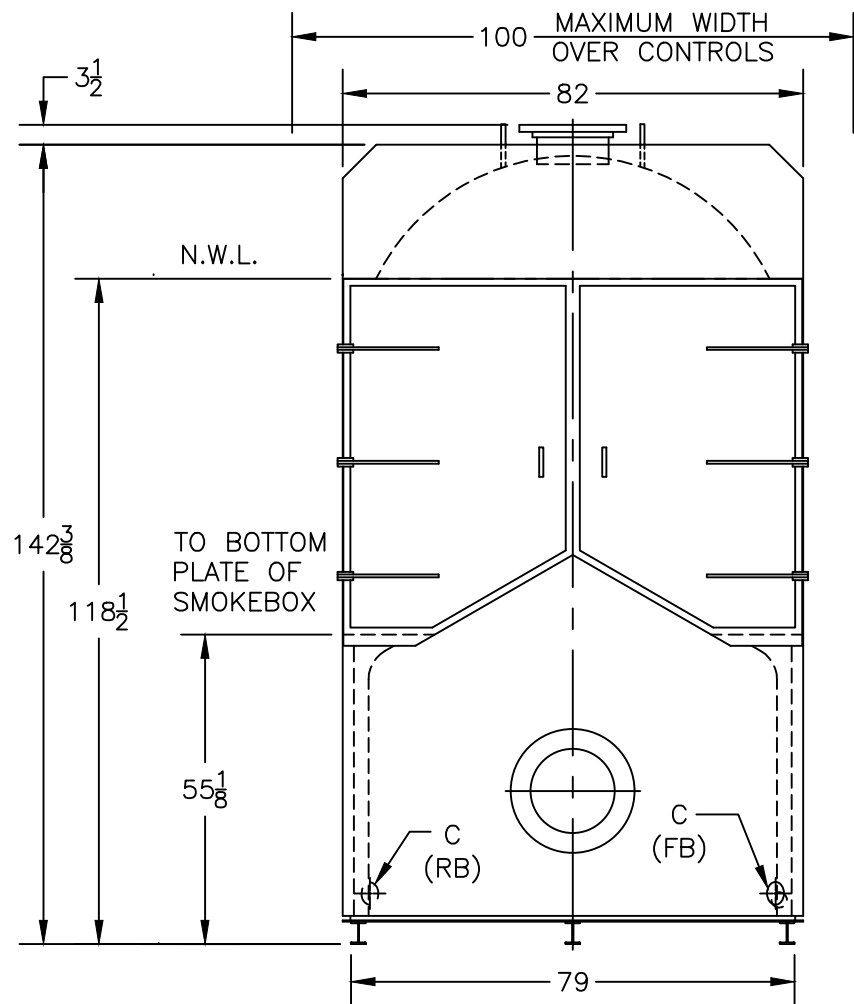
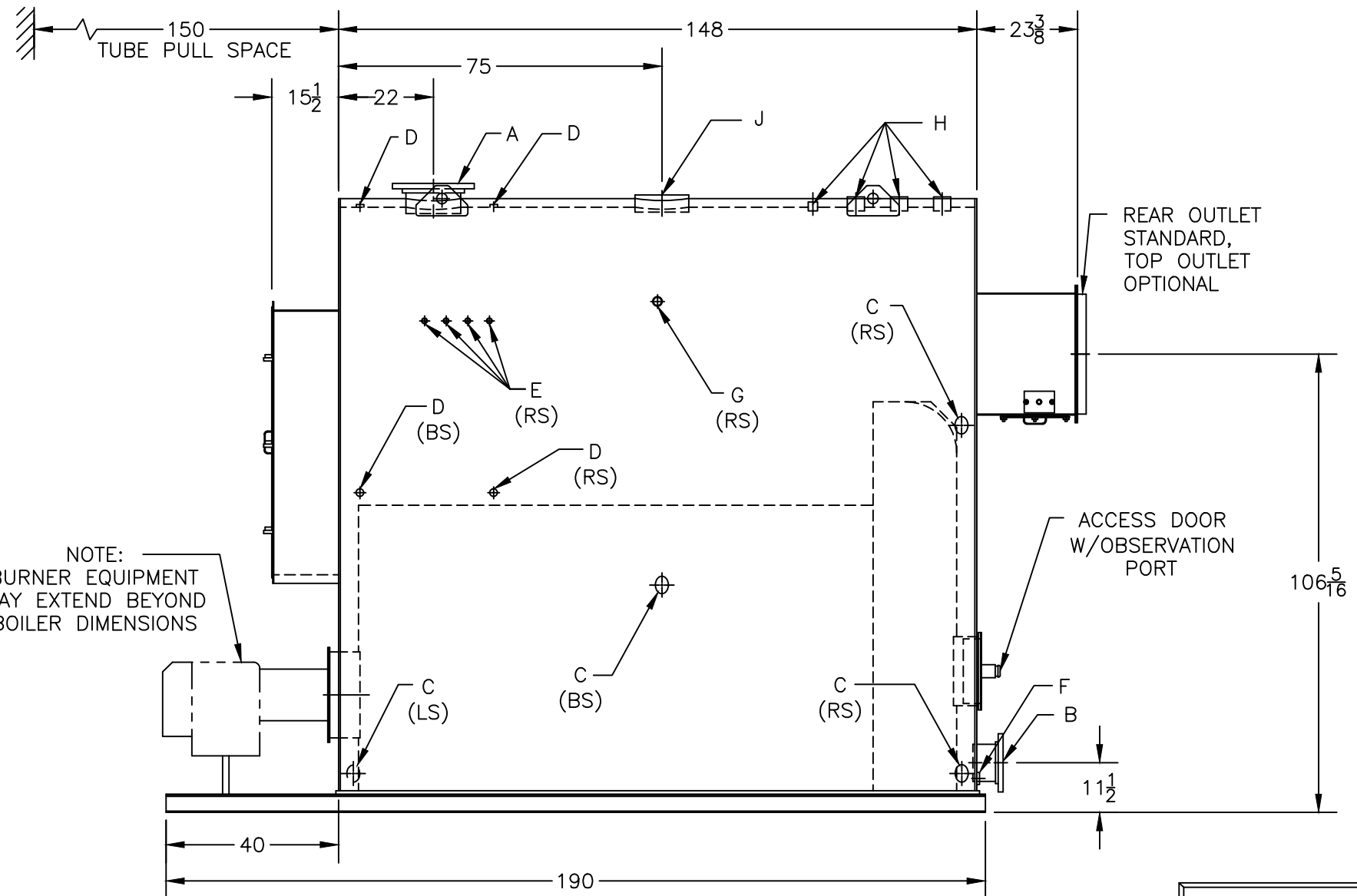
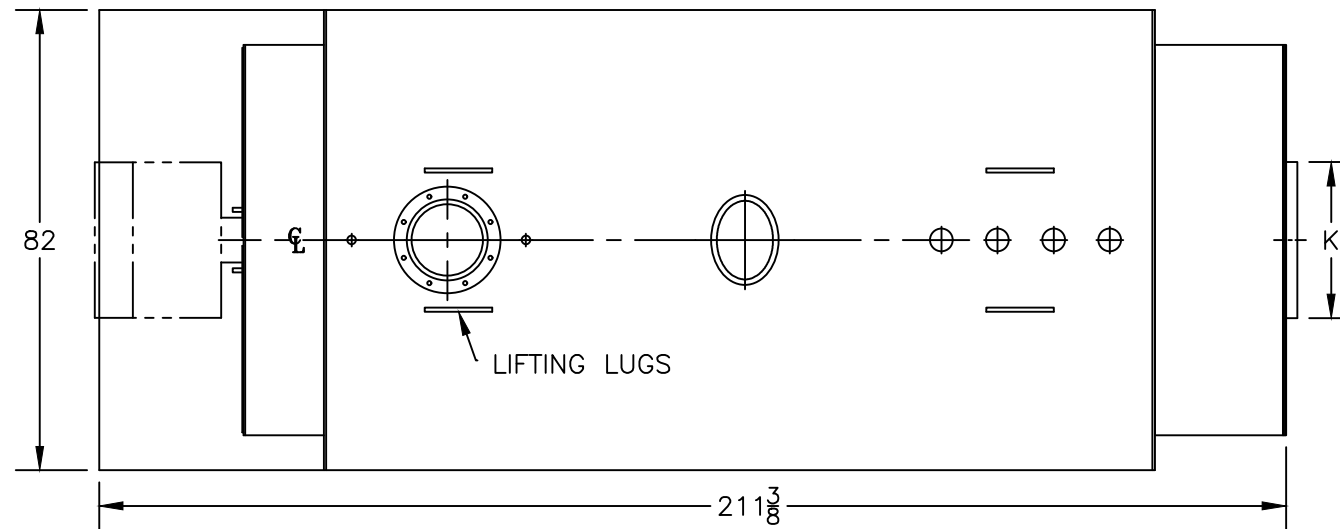
Furnace
 Volume (Cubic Feet) - 348.6

Water Content
 Steam - 1935 Gal. (U.S.)
 Water - 2473 Gal. (U.S.)

Approximate Weight (Lb.)
 Dry - 34500
 Wet (Steam) - 50565
 Wet (Water) - 55085

LEGEND

- BS = BOTH SIDES
- RS = RIGHT SIDE
- LS = LEFT SIDE
- FB = FRONT OF BOILER
- RB = REAR OF BOILER



SPECIFICATIONS SUBJECT TO CHANGE WITHOUT NOTICE ALL CONNECTIONS ARE THREADED UNLESS OTHERWISE SPECIFIED
 THIS DOCUMENT CONTAINS CONFIDENTIAL INFORMATION WHICH IS THE PROPERTY OF BURNHAM COMMERCIAL. THIS DOCUMENT MAY NOT BE REPRODUCED, TRANSFERRED OR USED, OR ITS CONTENTS DISCLOSED, WITHOUT THE WRITTEN PERMISSION OF THE OWNER.

MODEL 4FH-2315