

BURNHAM®

Commercial Boilers

LEGEND CONNECTIONS

- A = 12" FLANGED SUPPLY (150#)
- B = 6" FLANGED RETURN (STEAM-150#)
- = 8" FLANGED RETURN (WATER-150#)
- C = 3" x 4" HANDHOLE
- D = 1" WATER COLUMN
- E = 3/4" AQUASTAT
- F = 2" WASHOUT
- G = 1 1/2" SURFACE BLOWOFF
- H = 3" SAFETY/RELIEF VALVE (4)
- = 3/4" SAFETY/RELIEF VALVE (1)
- J = 12" X 16" MANHOLE
- K = 28" NOMINAL FLUE DIAMETER

RATINGS AND DATA

Shell Diameter : 78"

Heating Surface - Sq. Ft.
 Fireside - 2645
 Waterside - 2857

Firetubes
 Number - 255
 Diameter - 3" O.D.

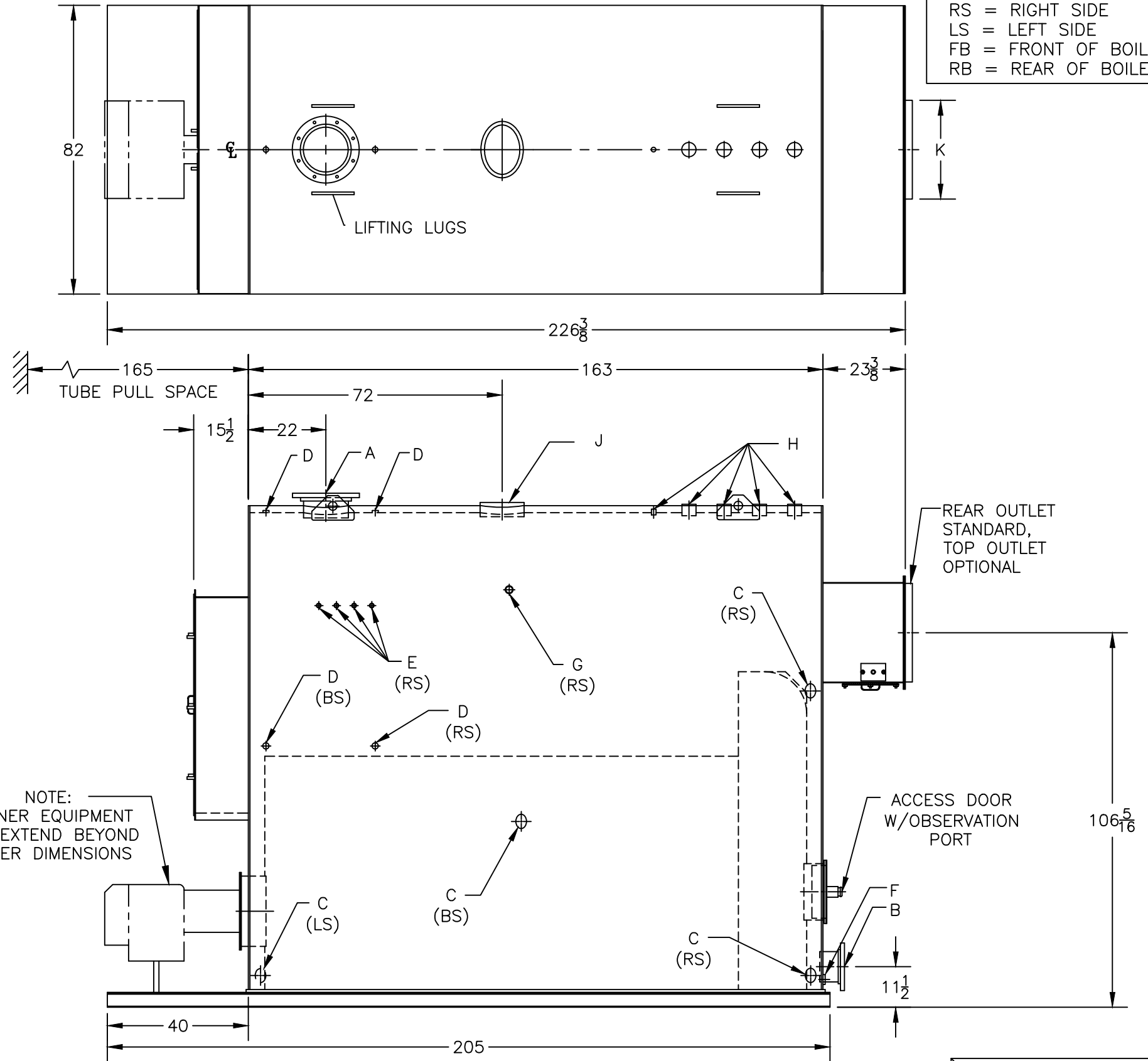
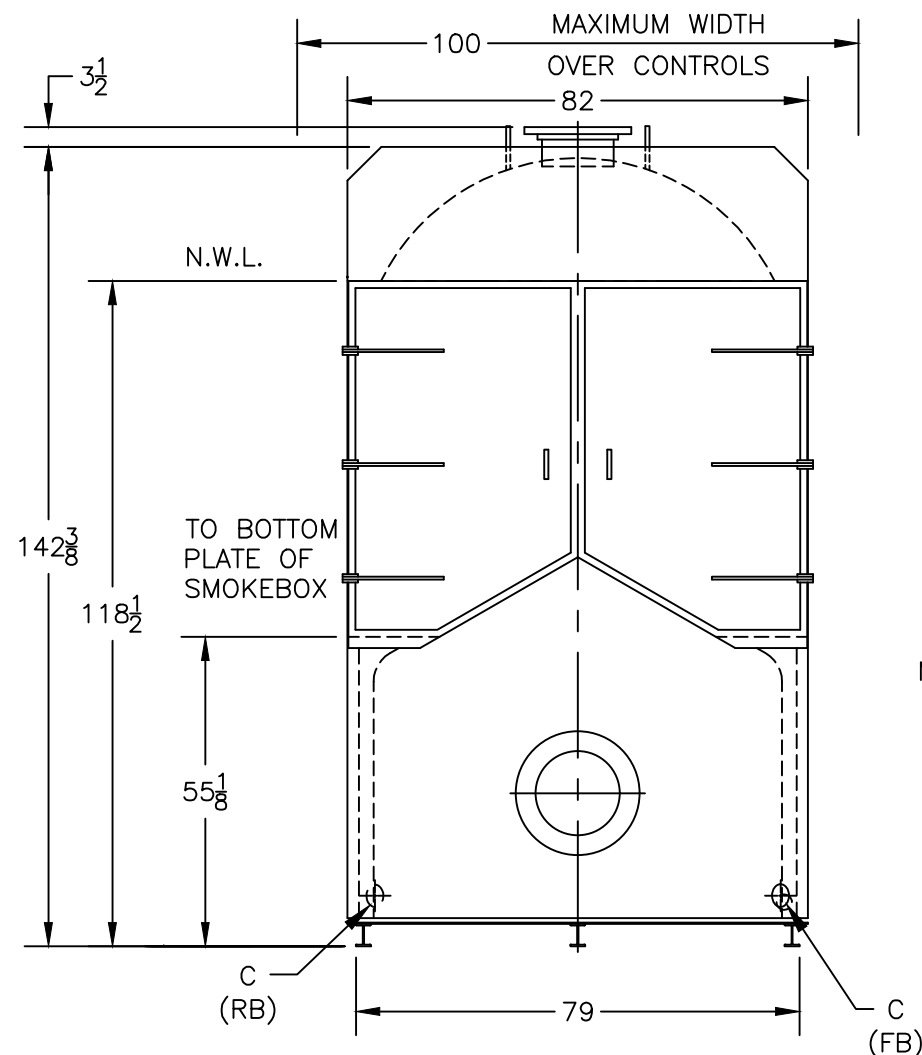
Furnace
 Volume (Cubic Feet) - 383.8

Water Content
 Steam - 2100 Gal. (U.S.)
 Water - 2718 Gal. (U.S.)

Approximate Weight (Lb.)
 Dry - 38200
 Wet (Steam) - 55630
 Wet (Water) - 60820

LEGEND

- BS = BOTH SIDES
- RS = RIGHT SIDE
- LS = LEFT SIDE
- FB = FRONT OF BOILER
- RB = REAR OF BOILER



SPECIFICATIONS SUBJECT TO CHANGE WITHOUT NOTICE ALL CONNECTIONS ARE THREADED UNLESS OTHERWISE SPECIFIED
 THIS DOCUMENT CONTAINS CONFIDENTIAL INFORMATION WHICH IS THE PROPERTY OF BURNHAM COMMERCIAL. THIS DOCUMENT MAY NOT BE REPRODUCED, TRANSFERRED OR USED, OR ITS CONTENTS DISCLOSED, WITHOUT THE WRITTEN PERMISSION OF THE OWNER.

MODEL 4FH-2645