

BURNHAM®

Commercial Boilers

RATINGS AND DATA

Shell Diameter : $41\frac{7}{8}$ "

Heating Surface - Sq. Ft.
 Fireside - 257
 Waterside - 277

Firetubes
 Number - 90
 Diameter - 2" O.D.

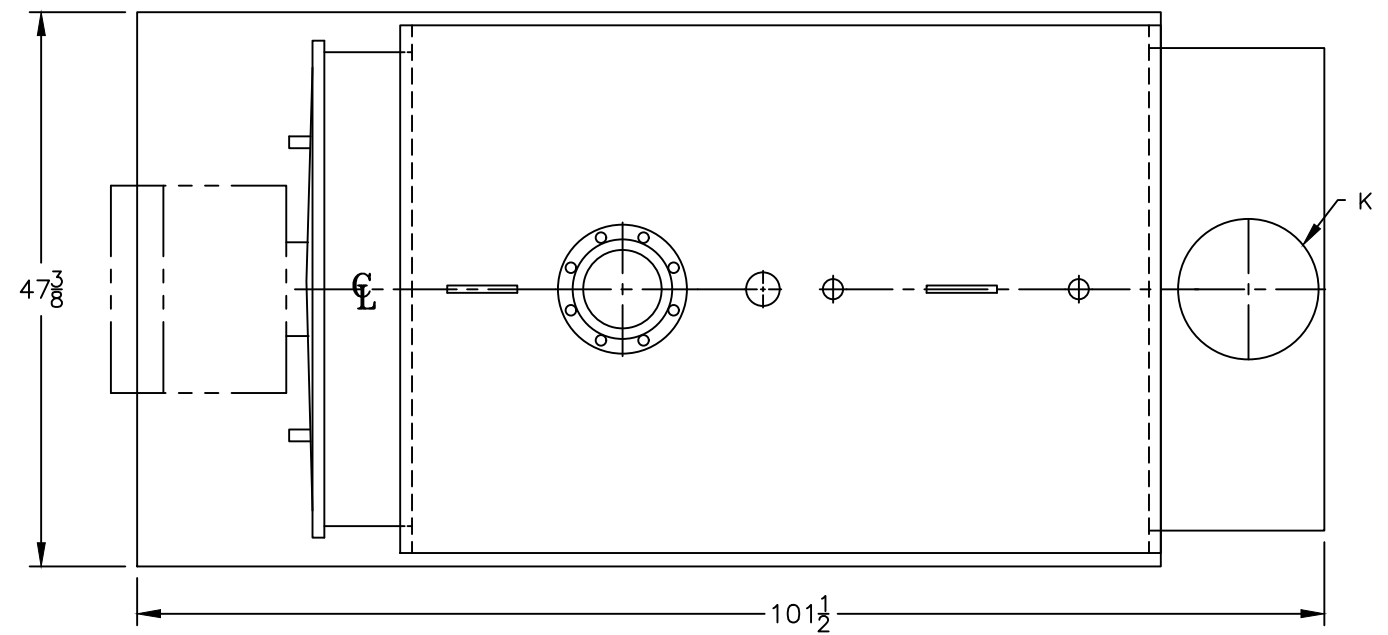
Furnace
 Volume (Cubic Feet) - 39.7

Water Content
 Steam - 238 Gal. (U.S.)
 Water - 317 Gal. (U.S.)

Approximate Weight (Lb.)
 Dry - 4600
 Wet (Steam) - 6575
 Wet (Water) - 7245

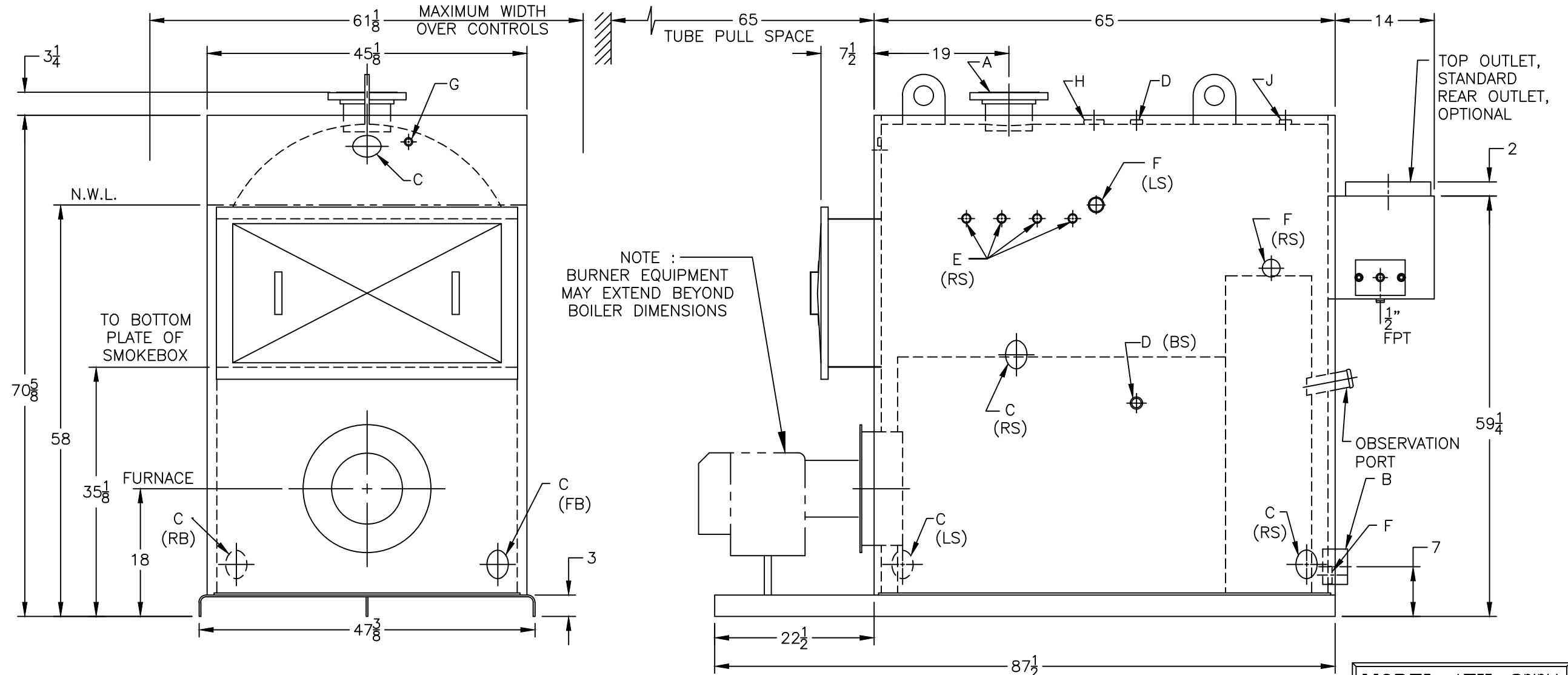
LEGEND CONNECTIONS

- A = 8" FLANGED SUPPLY (150#)
- B = 4" RETURN
- C = 3" x 4" HANDHOLE
- D = 1" WATER COLUMN
- E = 3/4" AQUASTAT
- F = 1-1/2" SURFACE BLOWOFF/WASHOUT
- G = 1/2" TEMPERATURE GAUGE
- H = 2" SAFETY/RELIEF VALVE
- J = 1" AUXILIARY CONNECTION
- K = 12" NOMINAL FLUE DIAMETER



LEGEND

- BS = BOTH SIDES
- RS = RIGHT SIDE
- LS = LEFT SIDE
- FB = FRONT OF BOILER
- RB = REAR OF BOILER



SPECIFICATIONS SUBJECT TO CHANGE WITHOUT NOTICE ALL CONNECTIONS ARE THREADED UNLESS OTHERWISE SPECIFIED

THIS DOCUMENT CONTAINS CONFIDENTIAL INFORMATION WHICH IS THE PROPERTY OF BURNHAM COMMERCIAL. THIS DOCUMENT MAY NOT BE REPRODUCED, TRANSFERRED OR USED, OR ITS CONTENTS DISCLOSED, WITHOUT THE WRITTEN PERMISSION OF THE OWNER.

MODEL 4FH-277A