

BURNHAM®

Commercial Boilers

LEGEND CONNECTIONS

- A = 12" FLANGED SUPPLY (150#)
- B = 6" FLANGED RETURN (STEAM-150#)
- = 8" FLANGED RETURN (WATER-150#)
- C = 3" x 4" HANDHOLE
- D = 1" WATER COLUMN
- E = 3/4" AQUASTAT
- F = 2" WASHOUT/CHEMICAL FEED
- G = 1 1/2" SURFACE BLOWOFF
- H = 3" SAFETY VALVE (STEAM-4)
- = 2" SAFETY VALVE (WATER-5)
- J = 12" X 16" MANHOLE
- K = 30 DIA. FLUE VENT

RATINGS AND DATA

Shell Diameter : 84"

Heating Surface - Sq. Ft.
 Fireside - 3075
 Waterside - 3321

Firetubes
 Number - 367
 Diameter - 2.5" O.D.

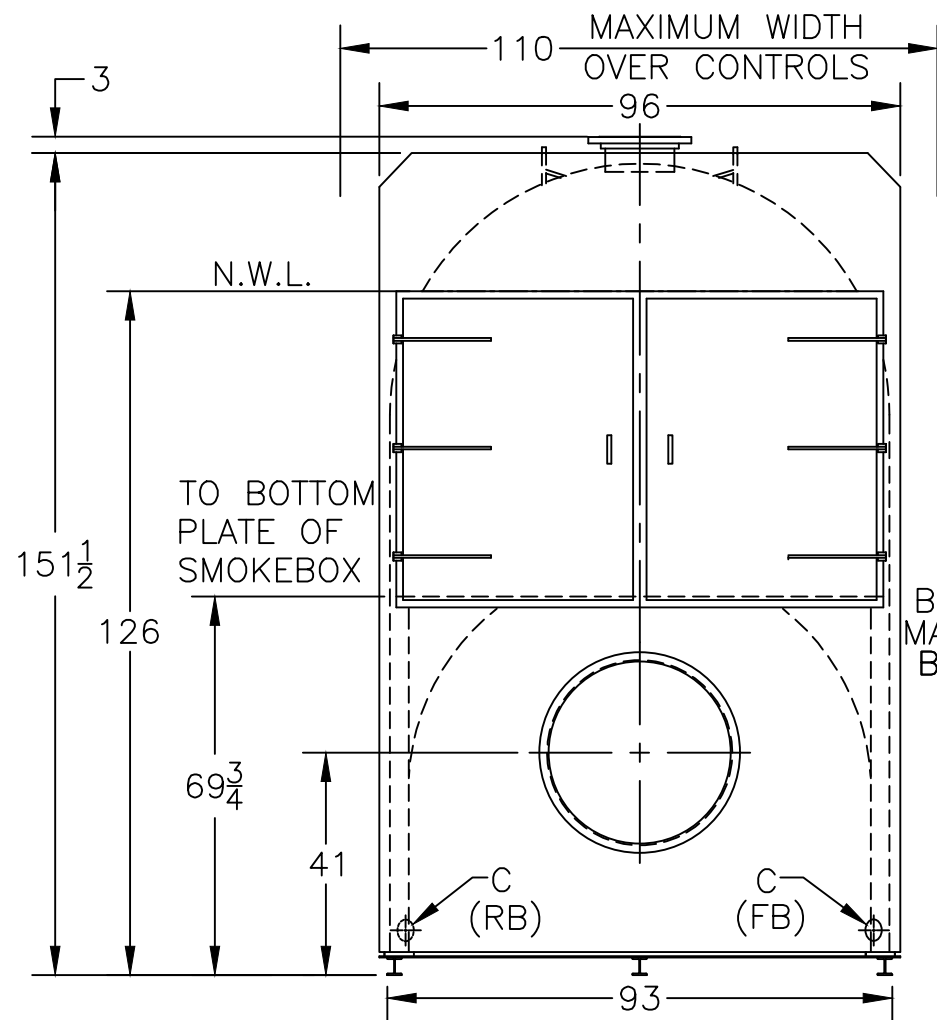
Furnace
 Volume (Cubic Feet) - 505.6

Water Content
 Steam - 2688 Gal. (U.S.)
 Water - 3592 Gal. (U.S.)

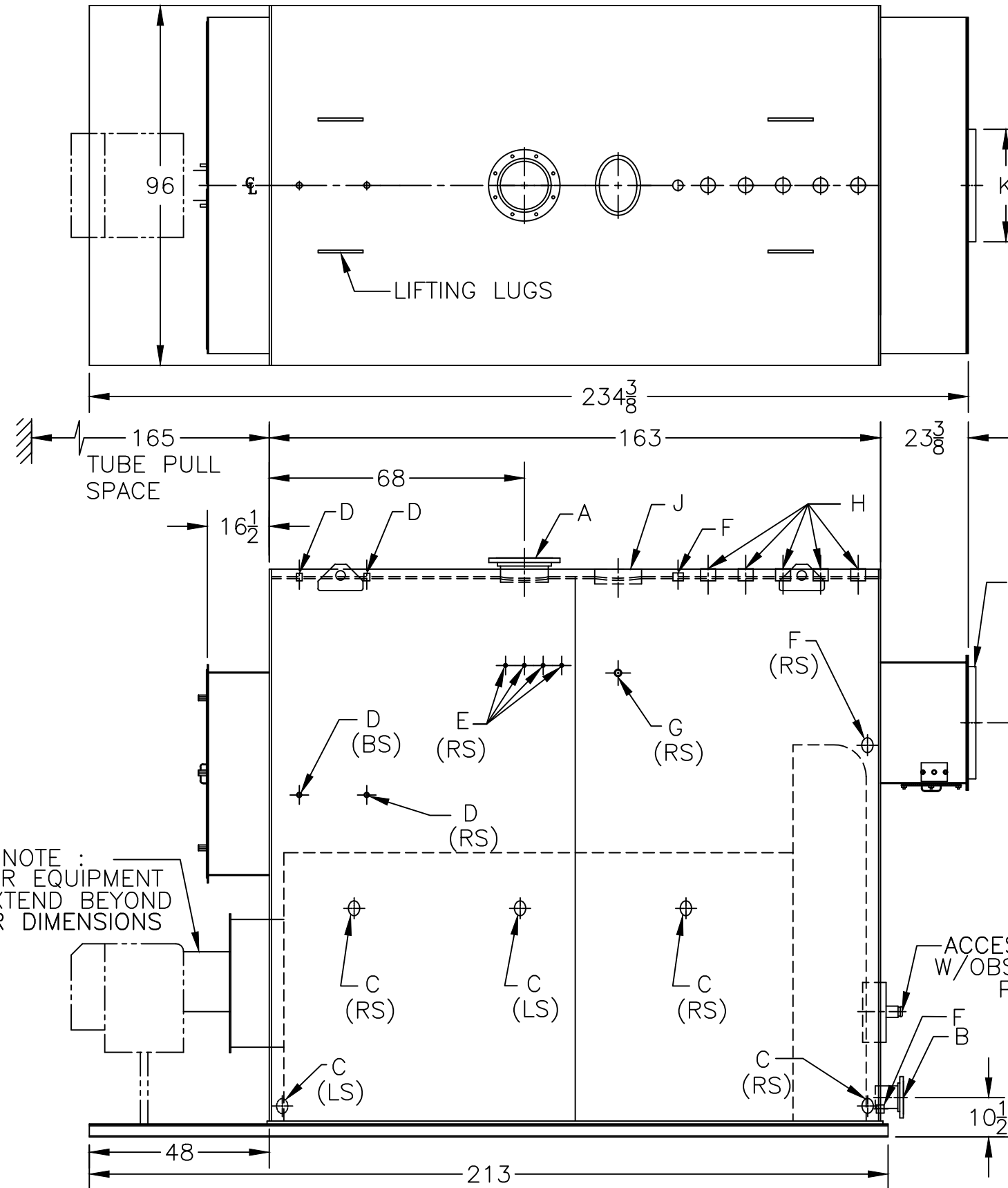
Approximate Weight (Lb.)
 Dry - 49000
 Wet (Steam) - 71315
 Wet (Water) - 78965

LEGEND

- BS = BOTH SIDES
- RS = RIGHT SIDE
- LS = LEFT SIDE
- FB = FRONT OF BOILER
- RB = REAR OF BOILER



NOTE :
 BURNER EQUIPMENT
 MAY EXTEND BEYOND
 BOILER DIMENSIONS



REAR OUTLET
 STANDARD,
 TOP OUTLET
 OPTIONAL

ACCESS DOOR
 W/OBSERVATION
 PORT

MODEL 4FH-3075A

SPECIFICATIONS SUBJECT TO CHANGE WITHOUT NOTICE ALL CONNECTIONS ARE THREADED UNLESS OTHERWISE SPECIFIED

THIS DOCUMENT CONTAINS CONFIDENTIAL INFORMATION WHICH IS THE PROPERTY OF BURNHAM COMMERCIAL. THIS DOCUMENT MAY NOT BE REPRODUCED, TRANSFERRED OR USED, OR ITS CONTENTS DISCLOSED, WITHOUT THE WRITTEN PERMISSION OF THE OWNER.