

# BURNHAM®

## Commercial Boilers

### RATINGS AND DATA

Shell Diameter : 41 $\frac{7}{8}$ "

---

Heating Surface - Sq. Ft.  
 Fireside - 289  
 Waterside - 311

Firetubes  
 Number - 90  
 Diameter - 2" O.D.

---

Furnace  
 Volume (Cubic Feet) - 44.4

---

Water Content  
 Steam - 267 Gal. (U.S.)  
 Water - 355 Gal. (U.S.)

---

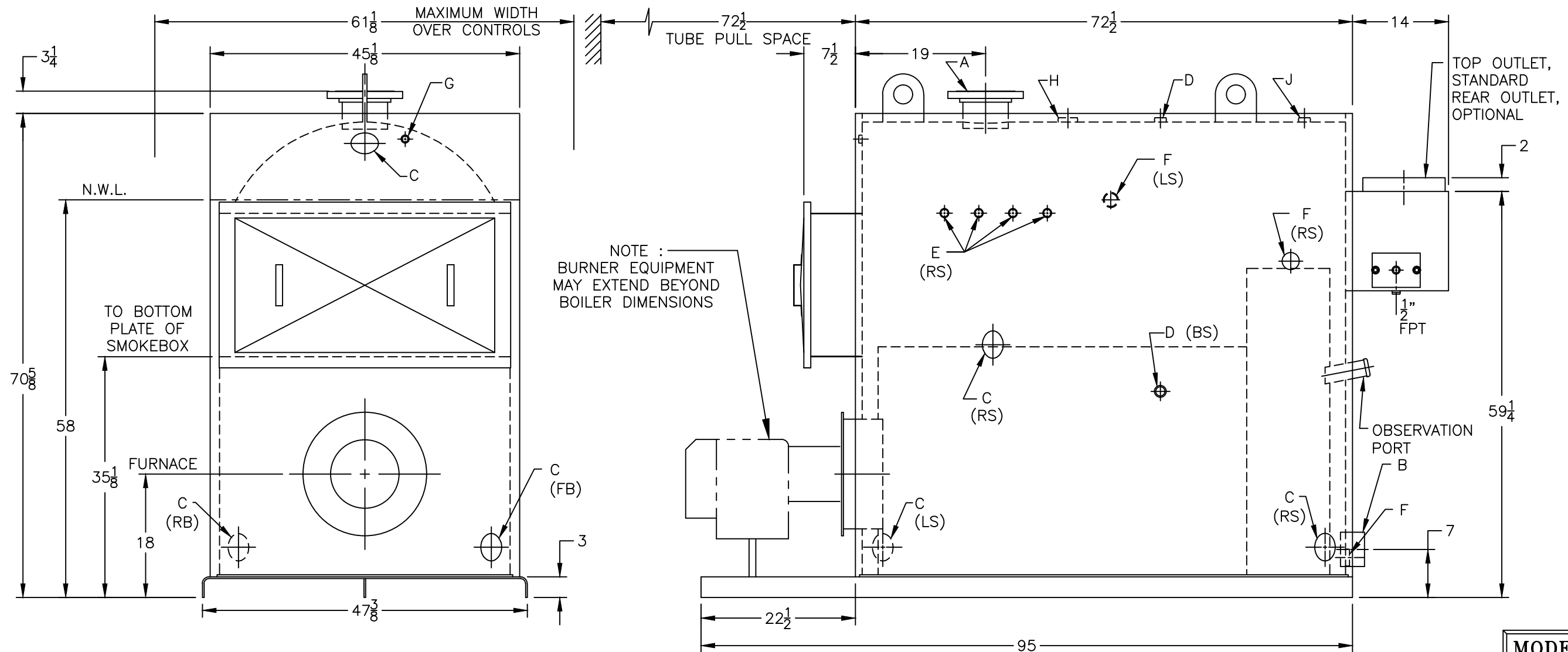
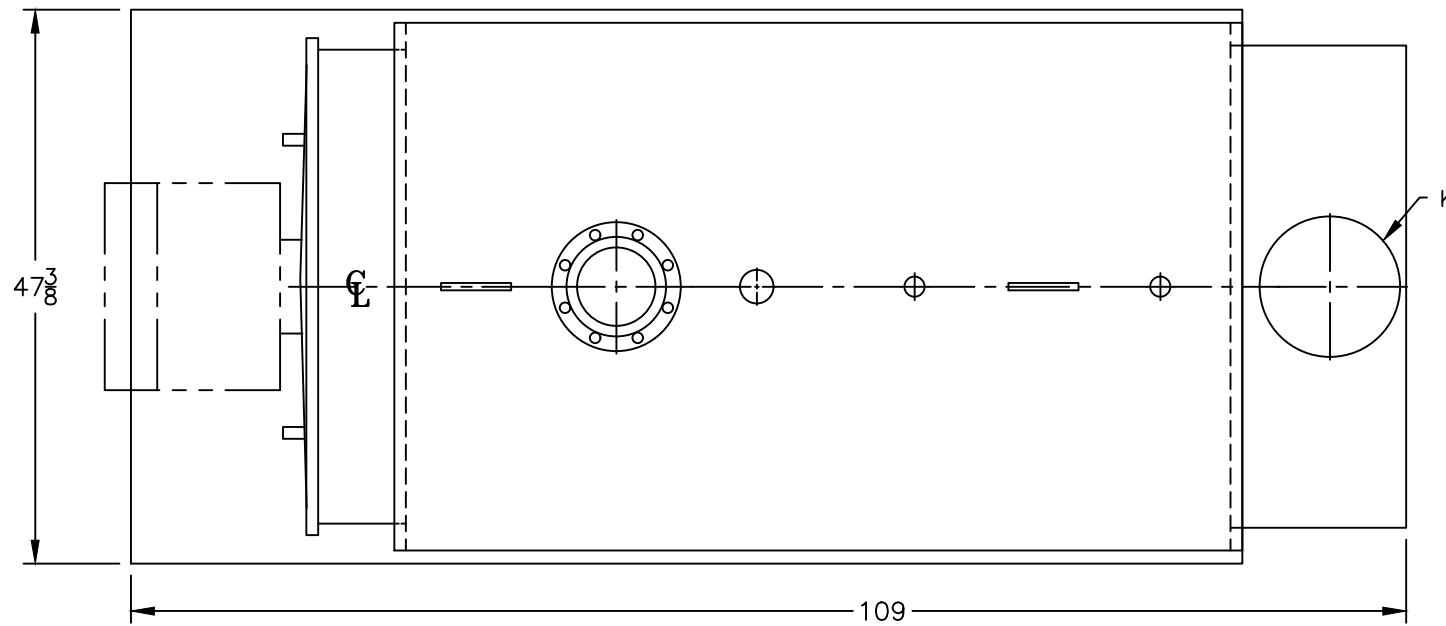
Approximate Weight (Lb.)  
 Dry - 5300  
 Wet (Steam) - 7515  
 Wet (Water) - 8265

### LEGEND CONNECTIONS

- A = 8" FLANGED SUPPLY (150#)
- B = 4" RETURN
- C = 3" x 4" HANDHOLE
- D = 1" WATER COLUMN
- E = 3/4" AQUASTAT
- F = 1-1/2" SURFACE BLOWOFF/WASHOUT
- G = 1/2" TEMPERATURE GAUGE
- H = 2" SAFETY/RELIEF VALVE
- J = 1" AUXILIARY CONNECTION
- K = 12" NOMINAL FLUE DIAMETER

### LEGEND

- BS = BOTH SIDES
- RS = RIGHT SIDE
- LS = LEFT SIDE
- FB = FRONT OF BOILER
- RB = REAR OF BOILER



NOTE :  
 BURNER EQUIPMENT  
 MAY EXTEND BEYOND  
 BOILER DIMENSIONS

**MODEL 4FH-311A**

SPECIFICATIONS SUBJECT TO CHANGE WITHOUT NOTICE ALL CONNECTIONS ARE THREADED UNLESS OTHERWISE SPECIFIED

THIS DOCUMENT CONTAINS CONFIDENTIAL INFORMATION WHICH IS THE PROPERTY OF BURNHAM COMMERCIAL. THIS DOCUMENT MAY NOT BE REPRODUCED, TRANSFERRED OR USED, OR ITS CONTENTS DISCLOSED, WITHOUT THE WRITTEN PERMISSION OF THE OWNER.

2/12/19 TS-3-11-2