

BURNHAM®

Commercial Boilers

LEGEND CONNECTIONS

- A = 8" FLANGED SUPPLY (150#)
- B = 4" RETURN
- C = 3" x 4" HANDHOLE
- D = 1" WATER COLUMN
- E = 3/4" AQUASTAT
- F = 1-1/2" SURFACE BLOWOFF/WASHOUT
- G = 1/2" TEMPERATURE GAUGE
- H = 1-1/4" SAFETY/RELIEF VALVE
- 1-1/2" SAFETY/RELIEF VALVE
- J = 1" AUXILLIARY CONNECTION
- K = 12" NOMINAL FLUE DIAMETER

RATINGS AND DATA

Shell Diameter : 41 $\frac{7}{8}$ "

Heating Surface - Sq. Ft.
 Fireside - 320
 Waterside - 345

Firetubes
 Number - 90
 Diameter - 2" O.D.

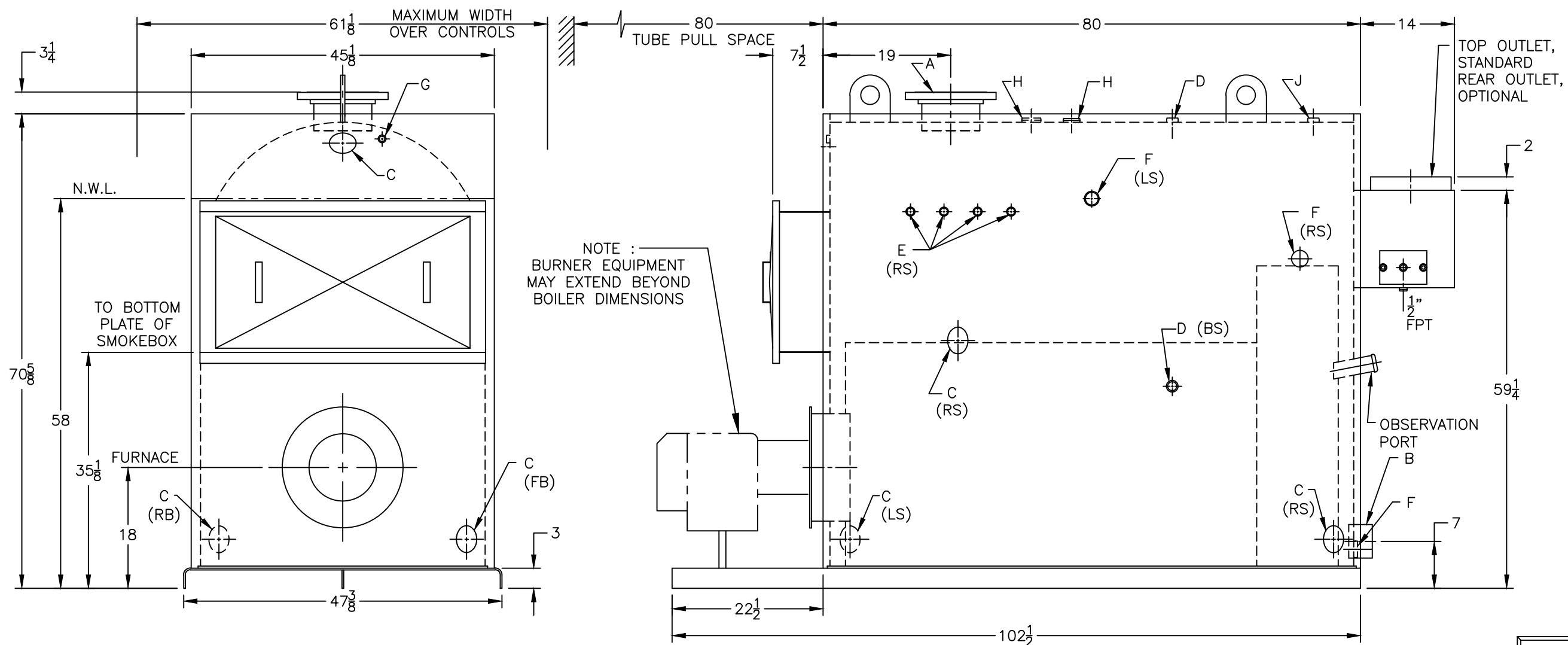
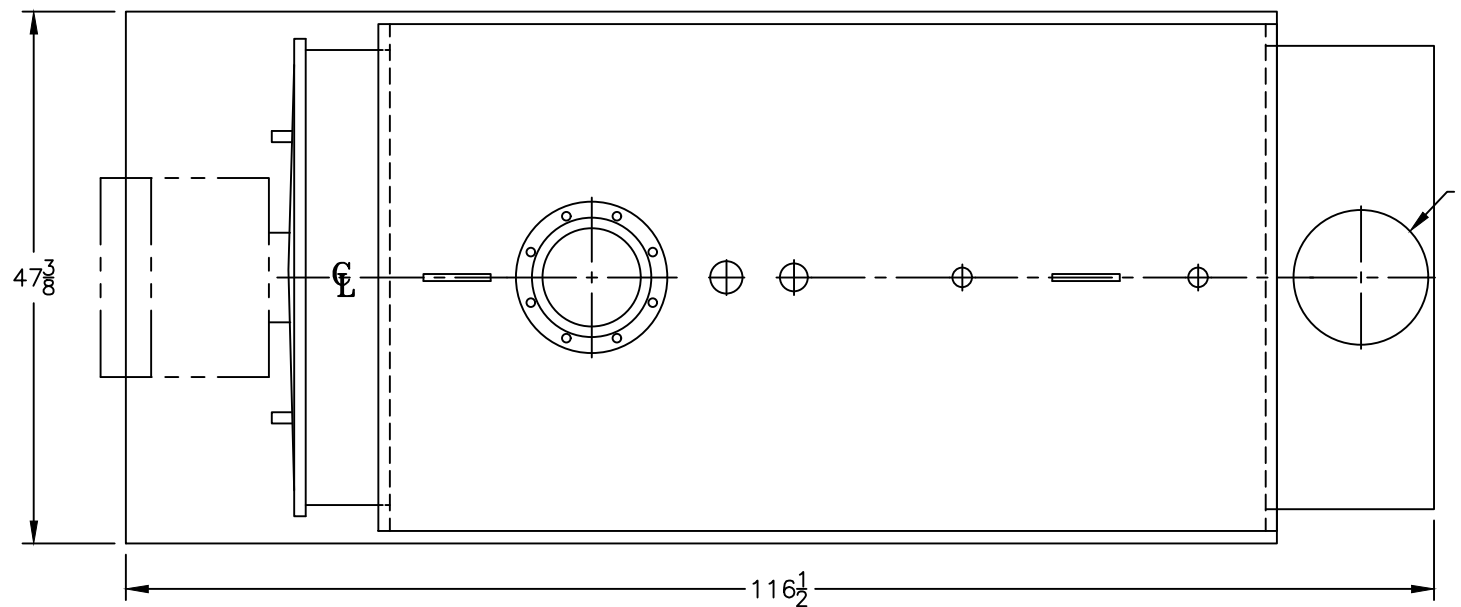
Furnace
 Volume (Cubic Feet) - 49.1

Water Content
 Steam - 296 Gal. (U.S.)
 Water - 394 Gal. (U.S.)

Approximate Weight (Lb.)
 Dry - 5600
 Wet (Steam) - 8055
 Wet (Water) - 8890

LEGEND

- BS = BOTH SIDES
- RS = RIGHT SIDE
- LS = LEFT SIDE
- FB = FRONT OF BOILER
- RB = REAR OF BOILER



SPECIFICATIONS SUBJECT TO CHANGE WITHOUT NOTICE ALL CONNECTIONS ARE THREADED UNLESS OTHERWISE SPECIFIED

THIS DOCUMENT CONTAINS CONFIDENTIAL INFORMATION WHICH IS THE PROPERTY OF BURNHAM COMMERCIAL. THIS DOCUMENT MAY NOT BE REPRODUCED, TRANSFERRED OR USED, OR ITS CONTENTS DISCLOSED, WITHOUT THE WRITTEN PERMISSION OF THE OWNER.

MODEL 4FH-345A

2/12/19 TS-3-12-2